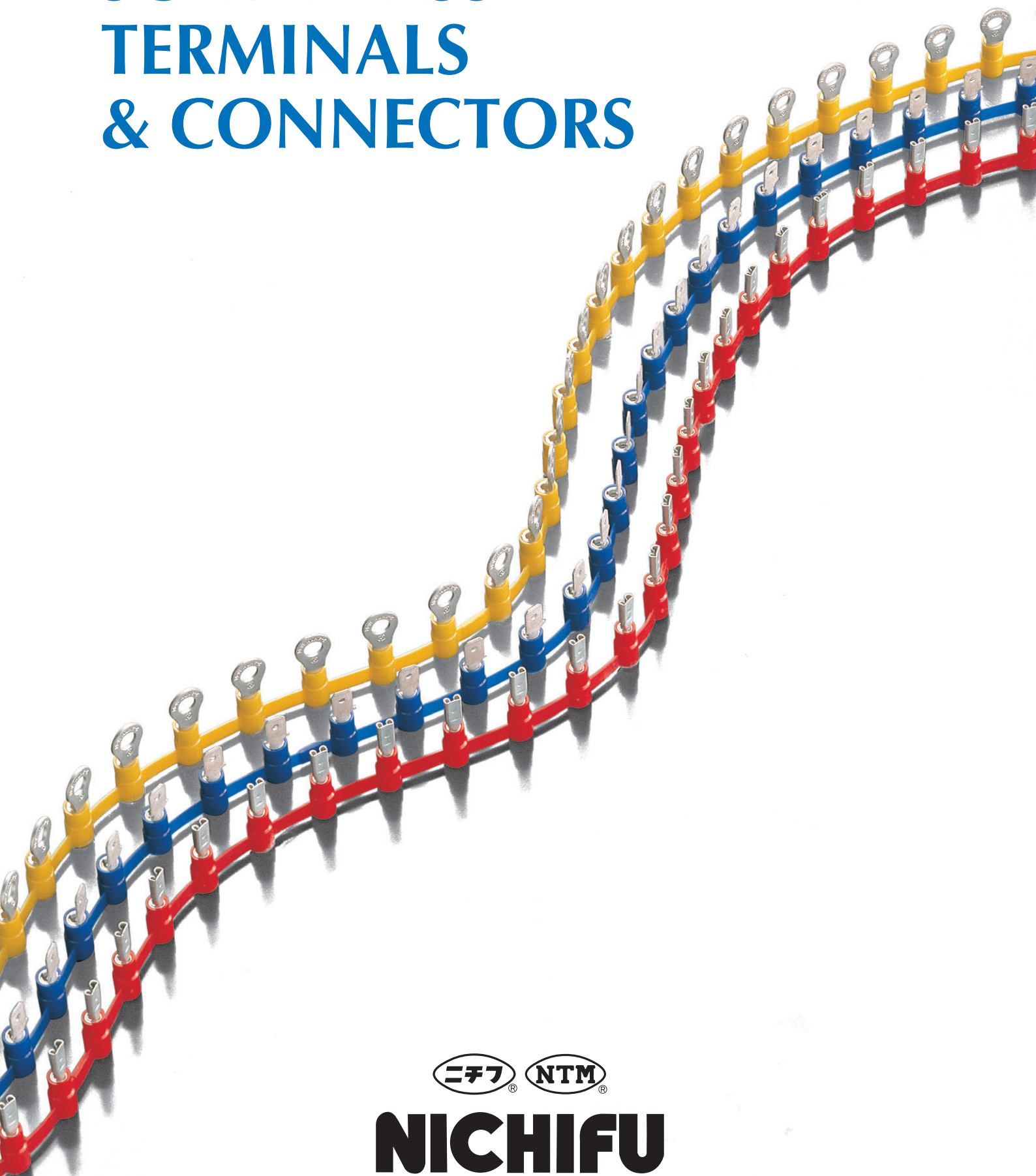


SOLDERLESS TERMINALS & CONNECTORS



NICHIFU

We are always seeking to improve our quality and develop new products.

NICHIFU has been a first-class, quality manufacturer of solderless terminals and sleeves for over 60 years.

Since 1951, as a solderless terminal/sleeve manufacturer, NICHIFU has sought to produce safe products which connect and provide electricity for the people of the world. Currently, the application of our products are expanding into new sectors of the world market, such as energy and home appliances.

All of our quality products undergo close inspection under the standards of our quality control. Also, our mass-production system has enabled us to quickly supply our customers low-priced products. Of course, our production is also flexible, allowing us to produce custom-made products upon request.

We constantly strive to improve quality, lower production cost, and expand the use of automatic tooling.

ISO9001



QUALITY SYSTEM
JQA-QM3410

NICHIFU TERMINAL
INDUSTRIES CO., LTD

RoHS

RoHS compliant products

RoHS 6 RoHS 6 compliant products

RoHS 10 RoHS 10 compliant products

RoHS 6

Current production items are RoHS 6 compliant. Products manufactured before the effective date may still be on the market. Inquire us with the part numbers and lot numbers, if RoHS compliant products needed.

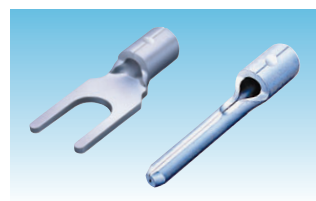
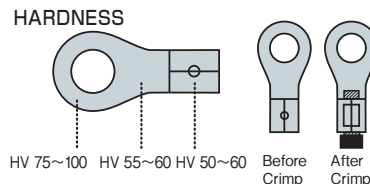
RoHS 10

Current production items are RoHS 10 compliant. Products manufactured before the effective date may still be on the market. Inquire us with the part numbers and lot numbers, if RoHS compliant products needed.

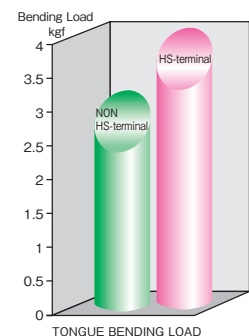
HSterminal High Solid

With a harder terminal tongue, fewer bending problems during installation, transportation and application

Nichifu's advanced technology has enabled the production with hardened tongue keeping softness of the barrel area unchanged. Our HS-terminals offer a tongue hardness of HV75-100 compared with the HV55 of non-HS terminals. 40% improvement in hardness that eliminates accidental bending. Thus, corrective straightening is not required, making installation quick and easy. With no change to the hardness of the barrel, the HS-terminal has the same crimping performance as non-HS terminals. Another distinguished feature of the HS is the notch at the center of brazed seam which designates the proper crimping position.



Also available in spade and pin styles.

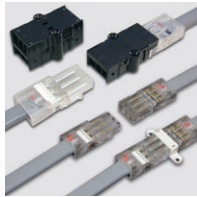


Harder tongue keeps the tongue area straight and flat when compared to non HS-terminals.

Notch located at center of brazed seam, to target crimping position.

Annealed barrel, keeps softness for easier crimp.

INDOOR ELECTRICAL WIRING



PLUG JOINT CONNECTORS [▶ P.97](#)

One touch and quick joint of indoor electrical wires. Branch wiring also available.



JOINT COVERS [▶ P.135](#)

Protect wire joint area. Soft vinyl translucent cover makes instant visual inspection. Snap onto the suspension bolt.



ROMEX CABLE SUPPORTERS [▶ P.135](#)

Prevent temperature rise of wires and also deterioration of wire insulation. Easy fit on the suspension bolt.



QUICK LOCK CONNECTORS [▶ P.95](#)

Designed to grip wire at two (2) places to prevent slipping off.
●QLX for solid copper wire. Translucent housing enables visual inspection of inserted wires.
●QL MC for 0.9~1.2mm diameter solid copper wire.
●QL SQ is a high temperature connector mainly for fire-detectors.



CENTER PIN TERMINALS [▶ P.30](#)

The Pin stuck out center of terminal barrel to fit smoothly in narrower terminal block. Insulation cap (UL94V-0) for each Pin terminal are available.



EXTRA LONG BUTTS [▶ P.25](#)

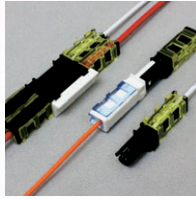
Less distortion on Butt when crimped one side. Easy and smooth installation.



INSULATION CAPS (OPEN END CONNECTOR) [▶ P.135](#)

Protect the area of crimping connectors. Soft insulator conforms to RoHS. E-M(中)/E-L(大) Green translucent. E-S(小) Red translucent.

APPLIANCE ELECTRICAL WIRING



WIRE TO WIRE IDC NDC2420 ▶ P.100

Simply structured for single connection. No need of stripping wires or the use of special tools. Multi pole connection is possible.



ENVIRONMENTAL FRIENDLY TERMINALS (INSULATED) ▶ P.58

No toxic material in the insulation. Environmentally conscious terminal.



HIGH TEMPERATURE TERMINALS ▶ P.36

Solid nickel, allows wire connection under circumstance at temperature max. 400°C.



HIGH TEMP CLOSED END CONNECTORS (SQCE) ▶ P.68

For multiple wire connections to or from Fire Detector. Durable for 15 minutes at max. 380°C.



WATER TIGHT CONNECTORS ▶ P.81

No heat shrink tube needed. Silicon-bushing inside connector shut off water. Water-Proof Safety Code IP57 proven.



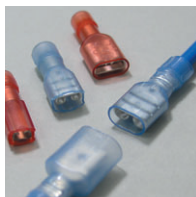
HEAT SHRINK BUTT CONNECTORS ▶ P.82

It has the heat shrink tube over the butt connector. Use a heat gun, the glue inside the tube will melt, then an air tight water/dust proof connection.



INSULATED CENTER PIN TERMINALS ▶ P.53 P.56

Makes stranded wire to single to be fittable to push-on terminal block or switch. Wider entry type for two wires also available.



FULLY INSULATED DISCONNECTS ▶ P.78

Nylon housing covers the disconnect for fully insulation.

POWER LINE CONNECTION



COMPRESSION TERMINALS

▶ P.87

Available for wire upto 1600mm².



CLAMP CONNECTORS

▶ P.84

Cable connection with branch. Various wire combinations are available upto total wire size of 700sq. mm. Specially designed insulation available for individual size.

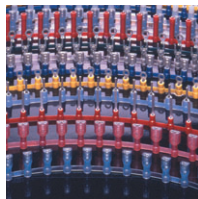


SHUNT WIRES

▶ P.91

Size of braiding area and number and size of bolt hole on terminal area of both ends are varied depend on users needs.

ICT & CRIMPER



ICT INSULATED CHAIN TERMINALS

▶ P.104

Invented by Nichifu. Chain-like linked loose terminals reduce time and labor, and ensure quality crimps.



CRIMPING EQUIPMENT FOR ICT TERMINALS

▶ P.106

Choose either pneumatic (NCA) or electric (NCM). Easy to use and mounted one-touch change of applicator for various terminal type and size automatically feeds terminal one by one with standardized crimping position.

CRIMPING TOOL



DESK-TOP PNEUMATIC CRIMPING EQUIPMENTS

▶ P.144

Piston motion crimping dies make terminal not to rotate in the dies.

NA10 (0.3mm²~5.5mm²)

NA20 (8mm²~60mm²)



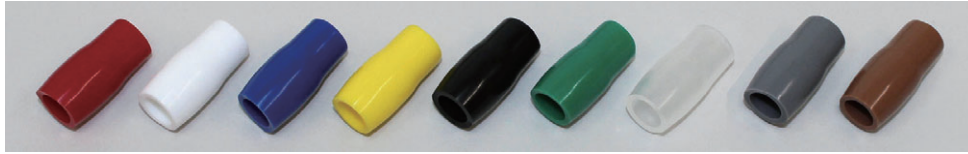
HAND RATCHET CRIMPING TOOLS

▶ P.140

Various type or size tools are available. Convenient short handles type is available.

PRODUCTION COLOR [REFERENCE]

INSULATION CAPS



PIN TERMINALS (with CAP)



END CAPS

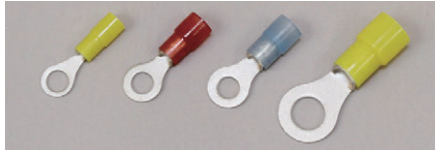


INSULATED TERMINALS

TMEV (Vinyl)
TMEX (Polycarbonate)



TMEN (Nylon)

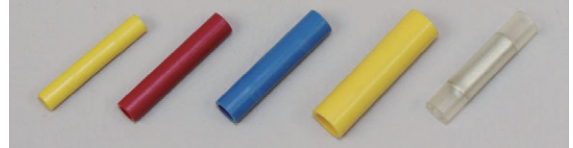


TMDV (Vinyl)

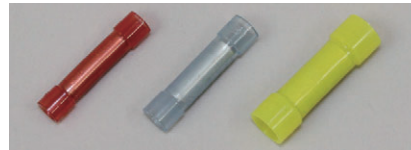


INSULATED BUTT-PARALLEL CONNECTORS

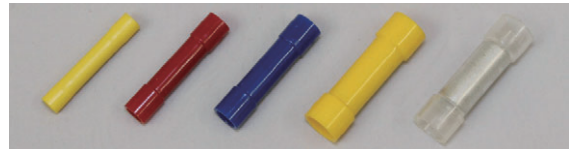
TGV (Vinyl)



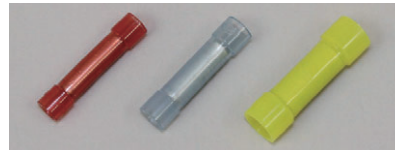
TGN (Nylon)



TMV (Vinyl)



TMN (Nylon)



INSULATED PIN TERMINALS

TGV (Vinyl)



TGN (Nylon)



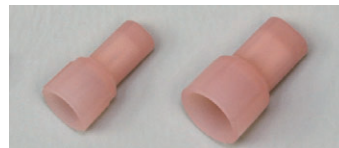
CLOSED END CONNECTORS



TORQUE SCREW DRIVERS



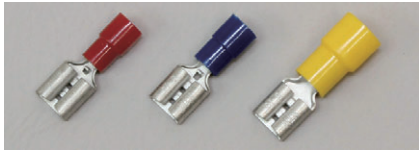
HIGH TEMP CLOSED END CONNECTORS



PRODUCTION COLOR [REFERENCE]

QUICK-DISCONNECTS

TMEDV (Vinyl)



TMDEN·TMEDN (Nylon)

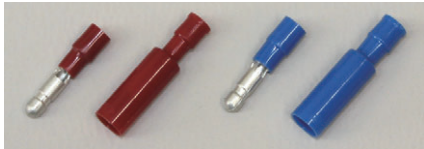


BULLETS & RECEPTACLES

PC



PCE



WIRE ENDS [TE·TEW]



WATER PROOF CONNECTORS



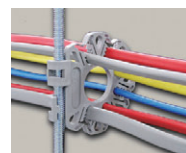
HEAT-SHRINKABLE RINGS & BUTTS [SR·SB]



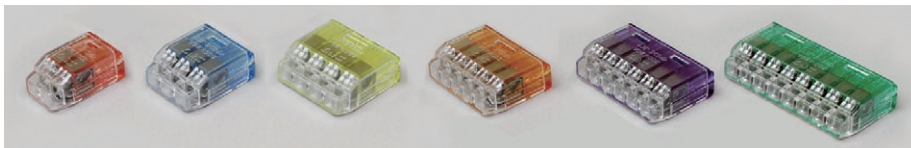
PLIER TAP CONNECTORS [PT·SPTV]



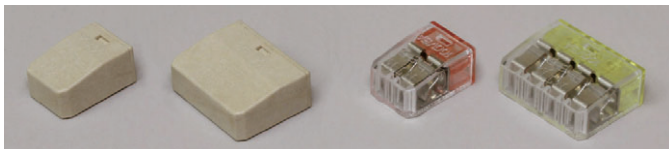
ROMEX CABLE SUPPORTERS



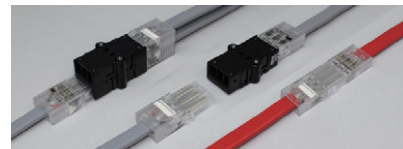
PUSH IN CONNECTORS [QLX]



PUSH IN CONNECTORS [QLX SQ·MC]


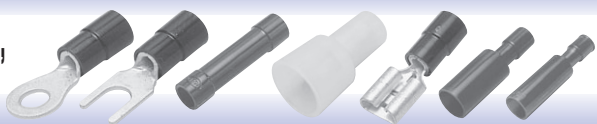
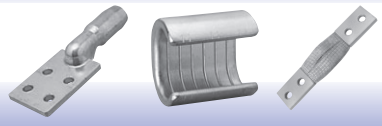
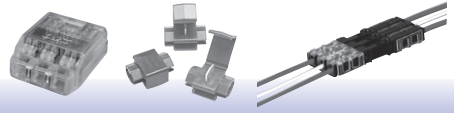
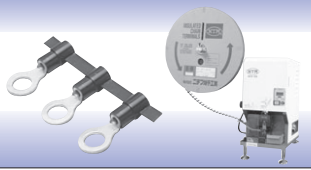
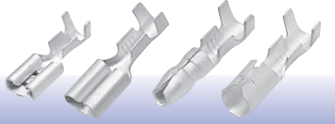

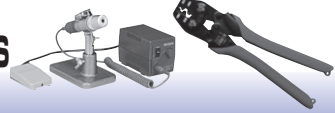


PLUG JOINT CONNECTORS



Actual color may be different from ones in the photo.

CONTENTS

A	Non-Insulated Terminals and Sleeves	
B	Insulated Terminals, Sleeves, Closed-End Connectors, Quick-Disconnects and Water-Proof Connectors	
C	Compression Terminals, Clamp Connectors, Shunt Wires and Copper-Tube Terminals	
D	Quick Lock Connectors, Plier Tap Connectors and IDC	
E	ICT Insulated Chain Terminals and Various Crimping Equipments	
F	Stripped Chain terminals	
G	Connectors	
H	Cable Accessories and Relative Tools and Equipments	
I	Information	

● INTRODUCTION	12	SPADE TERMINAL (Y TYPE)	22 ~ 24	BLADE TERMINAL (BT TYPE).....	32 ~ 33
RING TERMINAL (R TYPE)	13 ~ 17	BUTT (B TYPE)	25	FLAG RING TERMINAL	34
90° BEND TERMINAL	18	PARALLEL (P TYPE)	26	INSULATION CAP (VC TYPE)	34
RING TERMINAL (RD TYPE)	19 ~ 20	OPEN END CONNECTOR (E TYPE).....	27	INSULATION CAP (TIC TYPE).....	35
SQUARE RING (CB TYPE).....	21	PIN TERMINAL (TC TYPE)	28 ~ 31	HIGH TEMPERATURE TERMINAL	36

● INTRODUCTION	37 ~ 38	BUTT & PARALLEL (B & P TYPE).....	62 ~ 64	● INTRODUCTION OF DISCONNECT.....	70 ~ 71
RING TERMINAL (R TYPE)	39 ~ 45	● INTRODUCTION OF CLOSED END	65	QUICK DISCONNECT	72 ~ 79
SPADE TERMINAL (Y TYPE)	46 ~ 52	CLOSED END (CE/EC TYPE)	66 ~ 67	BULLET & RECEPTACLE (PC/PCE TYPE).....	80
PIN & BLADE TERMINAL (TC & BT TYPE).....	53 ~ 57	HIGH TEMP CLOSED END	68	BULLET/RECEPTACLE & BUTT, WP-TYPE.....	81
ENVIRONMENTAL FRIENDLY TERMINAL	58 ~ 61	INTERMEDIATE CONNECTOR.....	69	HEAT SHRINKABLE RING & BUTT.....	82 ~ 83

CLAMP CONNECTOR & COVER	84 ~ 86
COMPRESSION TERMINAL	87 ~ 90
SHUNT WIRE	91 ~ 93
COPPER TUBE TERMINAL	94

QUICK LOCK CONNECTOR	95 ~ 96
PLUG JOINT CONNECTOR.....	97 ~ 99
WIRE TO WIRE IDC	100 ~ 101
PLIER TAP CONNECTOR	102
WIRE ENDS	103

● INTRODUCTION	104 ~ 105	CT RING & SPADE	122 ~ 124
ICT CRIMPER (BENCH TYPE).....	106 ~ 107	CT PIN & BLADE	125
ICT RING & SPADE / PIN & BLADE.....	108 ~ 117		
ICT CLOSED END & BUTT	118		
ICT DISCONNECT	119 ~ 121		

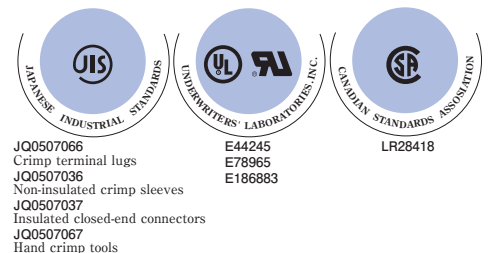
● INTRODUCTION	126
RING, BULLET/RECEPTACLE	127
DISCONNECT & CAP	128 ~ 129
CRIMPER MACHINE	130

EASY LOCK	131 ~ 133
FOR PANEL SWITCH	134

JOINT COVER	135	WIRE TWISTER	138 ~ 139
END CAP	135	CRIMPING TOOL	140 ~ 144
ROMEX CABLE SUPPORTER.....	135	TOOL SELECTION	145 ~ 146
CABLE GLAND	136		
TORQUE SCREW DRIVER.....	137		

REFERENCE	147
BASIC GUIDE TO TERMINAL CRIMPING.....	148 ~ 149
ABOUT NICHIFU	150

We manufacture products according to Japanese Industrial Standards. The products are also listed by UL/CSA. As a proof of approval, we put them on products or container. We strongly believe you choose ours as a sure and safe products.



INDEX

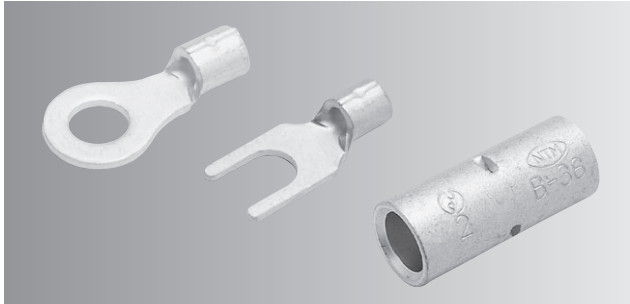
	PREFIX	Example of Part Number	PAGE
B	B	B 1.25 (B 0.5~B 325)	25
	BT	BT 1.25-9 (BT 0.3-□~BT 5.5-□)	32~33
	BTC	BTC 10/BTC 16/BTC 25	33
C	C	C1-14 (C1-14~C6-1000)	87~88
		C1-14C (C1-14C~C6 1000C/C6-1200A~1600A)	89~90
	CB	CB22-5S (CB 22-□~CB 325-□)	21
	CE	CE 1 (CE 1~CE 8)	66
	CSS	CSS 43925-M/CSS 43925-F	127
		CSS 62852-F3/CSS 62815-F3	132
		CSS 64815-F	128
		CSS 66325-M	128
		CSS 64873-F3/CSS 64815-F3	133
		CSS 66325-F	128
	CSS	CSS 66393-F3-1/CSS 66325-F3-1	133~134
		CSS 14325A/CSS15325A	127
		CSS 13273N (13***/14***)	127
	CT	CT 1.25-3 (CT 1.25-□~5.5-□)	122
	CT (BT)	CT BT-1.25-11 (CT BT-1.25-□~CT BT-5.5-□)	125
	CT (LY)	CT 1.25LY-3S (CT 1.25LY-□~5.5LY-□)	124
	CT (TC)	CT TC-1.25-11 (CT TC-1.25-□~CT TC-5.5-□)	125
CT (Y)	CT 1.25Y-3 (CT 1.25Y-□~5.5Y-□)	123	
CT (Y/W)	CT 1.25Y-3W (CT 1.25Y-□W~2Y-□W)	124	
D	D	D 60-A (D 8-A~D 325-A)	94
		D 60-B (D 8-B~D 325-B)	94
E	E	E-小/中/大	27
	EC	EC 1-1 (EC 05-1~EC 3-1)	67
	END	END V-S/END V-L	135
F	F	F 1000/F 2100	138~139
	FB	FB 01	130
	FT	FT 1-3 (FT 2-3)	34
G	GB	GB 01	130
H	H	H 1000/H 2100	138~139
I	IC CE	IC CE-1 (IC CE-1~IC CE-5)	118
	ICTDEN	ICTDEN 280509-FA	121
	ICTDN	ICTDN 480509-FA (480809-FA/480520-FA/480820-FA)	121
		ICTDN 630809-FA (630820-FA)	121
	ICTDV	ICTDV 280509-F (280809-F)	119
		ICTDV 480509-F (480809-F/480520-F/480820-F)	119
		ICTDV 480520-M	120
		ICTDV 630809-F (630820-F/630855-F)	119
		ICTDV 630809-M (630820-M)	120
	ICTN (BT)	ICTN BT-1.25-11 (ICTN BT-1.25-□~ICTN BT 5.5-□)	117
	ICTN (LY)	ICTN 1.25LY-3S (ICTN 1.25LY-□~ICTN 5.5LY-□)	116
	ICTN (R)	ICTN 1.25-3 (ICTN 0.3-□~ICTN 5.5-□)	113~114
	ICTN (TC)	ICTN TC-1.25-11 (ICTN TC-0.3-□~ICTN TC 5.5-□)	117
	ICTN (Y)	ICTN 1.25Y-3 (ICTN 0.3Y-□~ICTN 5.5Y-□)	115
	ICTN (Y/W)	ICTN 1.25Y-3W (ICTN 1.25Y-□W~ICTN 2Y-□W)	116
	ICTV (BT)	ICTV BT-1.25-11 (ICTV BT-1.25-□~ICTV BT 5.5-□)	112
	ICTV (LY)	ICTV 1.25LY-3S (ICTV 1.25LY-□~ICTV 5.5LY-□)	111
ICTV (R)	ICTV 1.25-3 (ICTV 0.3-□~ICTV 5.5-□)	108~109	

	PREFIX	Example of Part Number	PAGE
I	ICTV (TC)	ICTV TC-1.25-11 (ICTV TC-0.3-□~ICTV TC 5.5-□)	112
	ICTV (Y)	ICTV 1.25Y-3 (ICTV 0.3Y-□~ICTV5.5Y-□)	110
	ICTV (Y/W)	ICTV 1.25Y-3W (ICTV 1.25Y-□W~ICTV 2Y-□W)	111
	ICV B	ICV B-1.25 (ICV B-1.25~ICV B-5.5)	118
J	JB	JB 130/ JB 170	135
M	MB	MB 01 (MB**)	130
	MP	MP 2-4	69
N	N	N 1.25-4 (N 1.25-□~N 38-10)	36
	N10	N10 10 (N10**)	144
	N20	N20 08 (N20**)	144
	N3	N3 5 (N3**)	144
	NA	NA 3/NA 10/NA 20	144
	NC	NC 10A	107
	NCA	NCA 100	106
	NB	NB 1.25 (NB 1.25~NB 5.5)	36
	NCM	NCM 100	106
	NCS	NCS 6P	135
	NDB	NDB 2018	101
	NDC	NDC 2824/2420/2018	100
	NDE	NDE 0512	96
	NEM	NEM 1-28-1P-V0	132
	NEP	NEP 1-63-1P-V2	133
		NEP 2-48-1P-V2	133
	NET	NET 1-28-1P-V2	132
	NH	NH 1 (NH***)	140~142
	NOH	NOH 360 (300K)	143
	NOM	NOM 2500A (3000)	143
		NOM 60 (150)	143
	NOP	NOP 120 (NOP 60/120/150HA)	142
	NP	NP 520 (1000)	143
	NPJ	NPJ 3PV-S	97~98
		NPJ B01-3P/ NPJ B02-3P	97~98
		NPJ P01-3P	97~99
NPJM	NPJM P01-3P (NPJM**)	99	
NSW	NSW 02-4PH/NSW 03-4PH	134	
O	OSS	OSS 62852-F3 (62815-F3)	132
P	P	P 1.25 (P 0.5~P 325)	26
	PC	PC 2005-M/F (4009/4020)	80
		PC 4009-M/F-WP (4009/4020)	81
	PCE	PCE 4009M/F (4020/5020)	80
	PG	PG 07/PG-CE~PG 48/PG-CE	136
PT	PT V-09 (V · W · R/09/20)	102	
Q	QLX	QLX 2 (QLX 2~QLX 8) 、QLXSQ、QLXMC	95~96
R	R	R 1.25-3 (R 0.3-□~R 325-□)	13~18
	RD	RD38-10 (RD 38-□~RD 325-□)	19
S	SA	SA 1-□ (SA 1~SA 7)	91
	SB	SB 1-□ (SB 1~SB 12)	91
		SB 2218 (SB 1816/1614/1210)	82~83
	SC	SC 1-□ (SC 1~SC 22)	92
	SD	SD 1-□ (SE 1~SE 14)	93
	SE	SE 1-□ (SE 1~SE 14)	93
	SPTV	SPTV 09 (SPTV 05/20)	102
SQ	SQ CE-2HP/5HP	68	

	PREFIX	Example of Part Number	PAGE
S	SR	SR 1.25-4C (SR 1.25~SR 5.5)	82~83
		T	T 122C (T 20C~T 700C) T 7 (T 7~T 700)
T	TC	TC 1.25-11 (TC0.3-□~TC60C)	28~31
	TD	TD 15/TD 40/TD 50	137
	TE	TE 0.5-8 (TE 0.5-8~TE 6.0-12)	103
	TEW	TEW 0.5-8 (TEW 0.5-8~TEW 2.5-9)	103
	TGN	TGN B-1.25 (TGN B-1.25~TGN B-5.5)	64
		TGN TC-1.25-9T/11T	56
	TGV	TGV B-1.25 (TGV B-0.5~TGV B-5.5)	62
		TGV P-1.25 (TGV P1.25~TGV P-5.5)	63
		TGV TC-1.25-9T/11T	53
	TIC	TIC 1.25 (TIC 0.3~TIC 325)	35
	TMDEN	TMDEN 280509-FA (280809-FA)	78
	TMDN	TMDN 0.3-3 (TMDN 0.3-2~0.3-5)	45
		TMDN 0.3Y-3 (TMDN 0.3Y-2~0.3Y-5)	51
		TMDN 630809-FA (630820-FA/630855-FA)	78
	TMDV	TMDV 1.25-3 (TMDV 1.25-□~TMDV 5.5-□)	41~42
		TMDV 1.25Y-3 (TMDV 1.25Y-□~TMDV 5.5Y-□)	47
		TMDV B-1.25 (TMDV B-1.25~TMDV B-5.5)	62
		TMDV TC-1.25-16 (TMDV TC-1.25-□~TMDV TC-5.5-11)	54
	TMEDN	TMEDN 280509-F	75
		TMEDN 480509-F (480809-F/480520-F/480820-F)	75
		TMEDN 480509-F03 (480520-F03)	76
		TMEDN 480509-FA (480520-FA)	78
		TMEDN 480520-M	76
		TMEDN 630809-F (630820-F/630855-F)	75
		TMEDN 630809-FA (630820-FA)	79
		TMEDN 630809-M (630820-M/630855-M)	76
		TMEDN 630809-MA (630820-MA)	79
TMEDN 630809-V (630820-V)		77	
TMEDV	TMEDV 280509-F (280809-F)	72	
	TMEDV 480509-F (480809-F/480520-F/480820-F)	72	
	TMEDV 480509-F03 (480520-F03)	73	
	TMEDV 480520-M	73	
	TMEDV 630809-F (630820-F/630855-F)	72	
	TMEDV 630809-M (630820-M/630855-M)	73	
	TMEDV 630809-V (630820-V)	74	
TMEN	TMEN 1.25-3 (TMEN 0.3-□~TMEN 5.5-□)	43	
	TMEN 1.25LY-3S (TMEN 1.25LY-□~TMEN 5.5LY-□)	52	
	TMEN 1.25Y-3 (TMEN 0.3Y-□~TMEN 5.5Y-□)	50	
	TMEN 1.25Y-3W (TMEN 1.25Y-□W~TMEN 2Y-□W)	52	
	TMEN BT 1.25-9 (TMEN BT 1.25-□~TMEN BT 5.5-□)	57	
	TMEN TC-1.25-11 (TMEN TC-0.3-□~TMEN TC-5.5-□)	56	
TMEV	TMEV 1.25-3 (TMEV 0.3-□~TMEV 5.5-□)	39~40	
	TMEV 1.25LY-3S (TMEV 1.25LY-□~TMEV 5.5LY-□)	48	
	TMEV 1.25Y-3 (TMEV 0.3Y-□~TMEV 5.5-□)	46	
	TMEV 1.25Y-3W (TMEV 1.25Y-□W~TMEV 2Y-□W)	49	
	TMEV BT 1.25-9 (TMEV BT 1.25-□~TMEV BT 5.5-□)	55	
	TMEV TC-1.25-11 (TMEV TC-0.3-□~TMEV TC-5.5-□)	53	
TMEX	TMEX 1.25-2 (TMEX 0.3-□~TMEX 5.5-□)	58~59	
	TMEX 1.25Y-3 (TMEX 0.3Y-□~TMEX 5.5Y-□)	60	
	TMEX BT 1.25-9 (TMEX BT 1.25-□~TMEX BT 5.5-□)	61	

NON-INSULATED TERMINALS & SLEEVES

A



SPECIFICATIONS

- **MATERIAL** : Oxygen free copper strip/tube. (electro-tin-plating)
- **RATED CURRENT** : Please see amperage rating table for insulated wires. (Page 147)

STANDARDS

- Japanese Industrial Standards, JIS C2805 and JIS C2806.
- UL 486A (File No. E44245)
- CSA C22.2 (File No. LR-28418)



FOR SAFETY USE

Please observe the following points to prevent over-heat and possible fire.

- Copper wire only.
- Use our recommended tools.
- Use with specified wire range.

(NOTE)

APPLICABLE WIRE

- Wire range and performance ratings comply with JIS standard wire (IV, KIV, VSF).
- Inquire when solid wire is used for the 14 mm² or above terminals.

UL / CSA

To have UL/CSA listed or certified, use proper Nichifu crimp tool. To find correct tool, see our tool selection, page 145~146.

WIRE STRIP LENGTH

Strip length should be approx. 2mm longer than barrel length. (conductor should come out 1mm from both ends)

STRUCTURE OF OUR PART NUMBER

R 1.25 - 3

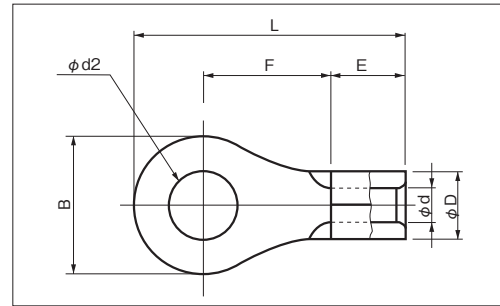
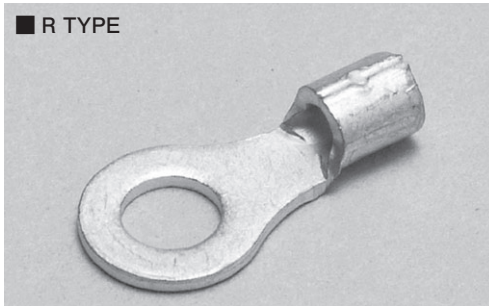
Shape of tongue	Nominal size	Stud size(mm)
R : RING	1.25 → 1.25mm ²	
RD : RING,DOUBLE STUD	2 → 2mm ²	
CB : SQUARE RING	3.5 → 3.5mm ² etc	
FT : FLAG RING		

1.25 Y - 3

Nominal size	Shape of tongue	Stud size(mm)
1.25 → 1.25mm ²	Y : SPADE	
2 → 2mm ²	LY : LOCKING SPADE	
3.5 → 3.5mm ² etc		

RING TERMINALS (R TYPE)

JIS C 2805



RoHS10
See page 2

A

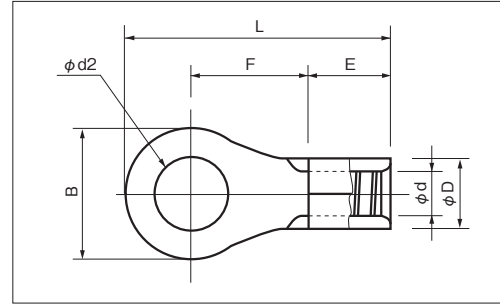
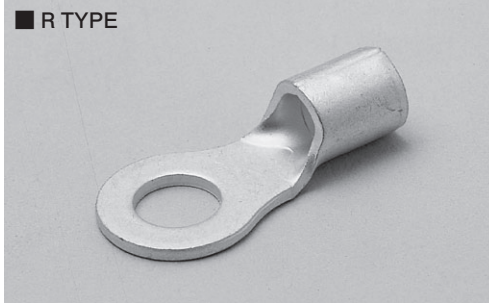
PART NUMBER	DIMENSIONS mm							WIRE RANGE			TOOL No.		STD QTY/BOX								
	phi d2	B	L	F	E	phi D	phi d	SOLID mm	STRANDED mm ²	AWG	HAND TOOL No.	DIES No.									
R 0.3-2	○	2.2	5.2	12.0	4.9	4.5	2.2	1.0	-	0.2~0.5	24-20	NH 69		1,000 (100×10)							
R 0.3-3	○	3.2		12.0	4.9																
R 0.3-3N	○	3.2	14.3	7.2																	
R 0.3-3.5	○	3.7	6.6	15.0	7.2																
R 0.3-4	○	4.3																			
R 0.3-5	○	5.3	8.0	15.5	7.0	NA 10 NA 3	N10 04 N3 70														
R 0.75-3	○	3.2	5.6	12.0	4.7	4.5	2.5	1.4	-	0.3~0.75	22-18	NH 69		1,000 (100×10)							
R 0.75-3.5	○	3.7																			
R 0.75-4	○	4.3	6.6	13.3	5.5							NA 10 NA 3	N10 05 N3 69								
R 1.25-2	○	2.2	5.5	12.0	4.75																
R 1.25-2S	○		5.7	11.9	4.55																
R 1.25-3	●	3.2	5.5	12.0	4.75																
R 1.25-3N	○		5.6	14.9	7.6																
R 1.25-3S	○	5.7	11.9	4.55																	
R 1.25-3.5N	○	3.7	5.6	14.9	7.6																
R 1.25-3.5S	○		5.7	11.9	4.55																
R 1.25-3.5	●	3.7	6.6	13.3	5.5																
R 1.25-3.5M	○		6.8	13.9	6.0																
R 1.25-3.5L	○	8.0	15.6	7.1																	
R 1.25-4S	○	4.3	6.6	13.3	5.5																
R 1.25-4M	○		6.8	13.9	6.0																
R 1.25-4	●	5.3	8.0	15.6	7.1																
R 1.25-5	●		5.3	12.0	20.2	9.7															
R 1.25-6	○	6.4																			
R 1.25-8	○	8.4	10.5	16.5	25.0	12.25					NA 10 NA 3	N10 01 N3 7									
R 1.25-10	○	10.5																			
R 2-2	○	2.2	6.5	12.7	4.95	4.5	4.2	2.3						1,000 (100×10)							
R 2-3N	○	3.2	5.6	14.9	7.6																
R 2-3S	○		5.7	12.3	4.95																
R 2-3	○	6.5	12.7																		
R 2-3.5N	○	3.7	5.6	14.9	7.6																
R 2-3.5NS	○		6.5	12.7	4.95																
R 2-3.5	●	6.6	14.4	6.6																	
R 2-3.5S	○	6.6	15.4	7.6																	
R 2-3.5M	○	8.0	16.0	7.5																	
R 2-4S	○	4.3	6.6	14.4	6.6																
R 2-4M	○		8.0	16.0	7.5																
R 2-4	●	8.5	16.5	7.75																	
R 2-5M	○	5.3	8.0	16.0	7.5																
R 2-5	●		9.5	17.0	7.75																
R 2-5L	○	12.0	21.5	11.0																	
R 2-6	●	6.4	12.0	21.5	11.0																
R 2-8	●	8.4																			
R 2-10	○	10.5	15.0	24.5	12.5										NA 10 NA 3	N10 02 N3 7					
R 2-12	○	13.0	19.0	28.5	14.5																

NOTE 1) ● : JIS, UL, CSA ○ : UL, CSA
2) Refer to page 12 for UL/ CSA and proper strip length of wire.

RING TERMINALS (R TYPE)

JIS C 2805

■ R TYPE



RoHS10

See page 2

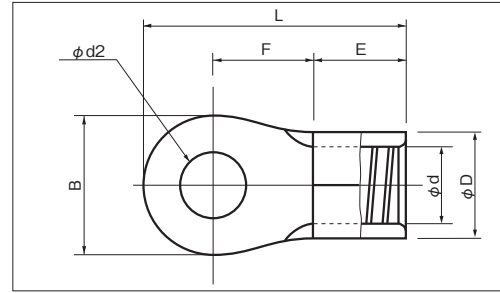
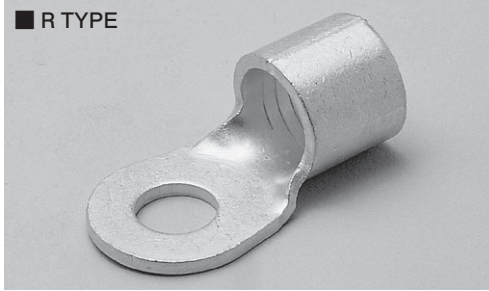
PART NUMBER	DIMENSIONS mm							WIRE RANGE			TOOL No.		STD QTY/BOX	
	φd2	B	L	F	E	φD	φd	SOLID mm	STRANDED mm ²	AWG	HAND TOOL No.	DIES No.		
R 3.5-4S ※	4.3	7.0	17.5	8.0	6.0	5.1	3.0	1.82 }	2.63 }	12	NH 1 NH 9	NA 10 NA 3	N10 03 N3 7	1,000 (100×10)
R 3.5-4 ○		8.0	18.0											
R 3.5-5N ※ ○		5.3	9.6											
R 3.5-5S ○	12.0		21.4	9.4										
R 3.5-5L ○	9.6		20.0	9.2										
R 3.5-6 ○	6.4	12.0	21.4	9.4										
R 3.5-6L ○		9.6	20.0	9.2										
R 3.5-8 ○	8.4	13.5	25.5	12.75										
R 5.5-3M ※ ○	3.2	6.5	16.95	7.2	6.5	5.6	3.4	1.82 }	2.63 }	12-10	NH 1 NH 9	NA 10 NA 3	N10 03 N3 7	1,000 (100×10)
R 5.5-3N ※ ○		7.0	17.2											
R 5.5-3S ※ ○		9.0	18.2											
R 5.5-3.5N ※ ○	3.7	7.0	17.2											
R 5.5-3.5S ※ ○		9.0	18.2											
R 5.5-3.5 ○		9.5	19.5											
R 5.5-4N ※ ○	4.3	7.0	17.2	7.2										
R 5.5-4S ※ ○		9.0	18.2											
R 5.5-4 ●		9.5	19.5											
R 5.5-5N ※ ○	5.3	8.0	17.7	7.2										
R 5.5-5S ※ ○		9.0	18.2											
R 5.5-5 ●		9.5	19.5											
R 5.5-6S ※	6.4	9.0	23.0	12.0										
R 5.5-6 ●		12.0		10.5										
R 5.5-8S ※	8.4	13.2	22.1	9.0										
R 5.5-8 ●		15.0	28.0	14.0										
R 5.5-10 ●		10.5												
R 5.5-12 ○	13.0	19.2	32.5	16.4										
R 5.5-14 ○	15.0													
R 8-4S ○	4.3	8.0	21.5	9.1	8.4	7.1	4.5	2.89 }	6.64 }	8	NH 1 NH 9 NOP 60 NOM 60	NA 20 N20 08	1,000 (100×10)	
R 8-4 ○		12.0	23.5	9.1										
R 8-5N ※		5.3	9.0	22.0										9.1
R 8-5S ○	10.0		22.5											
R 8-5 ●	12.0		23.5											
R 8-6S ○	6.4	10.0	22.5	9.1										
R 8-6 ●		12.0	23.5											
R 8-8S	8.4	15.0	29.5	13.6										
R 8-8 ●														
R 8-10 ●	10.5													
R 8-12 ○	13.0	20.0	33.5	15.1										
R 8-14 ○	15.0	22.0	37.0	17.6										

NOTE 1) ● : JIS, UL, CSA ○ : UL, CSA 2) Refer to page 12 for UL/CSA and proper strip length of wire.
3) ※Specification is partly different from other ring terminals.

RING TERMINALS (R TYPE)

JIS C 2805

■ R TYPE



RoHS10

See page 2

A

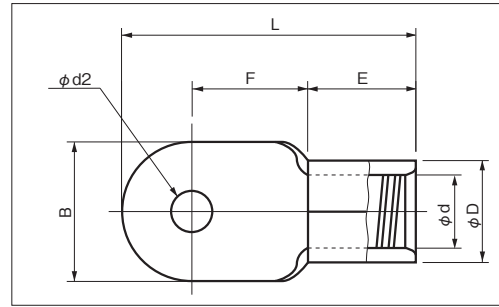
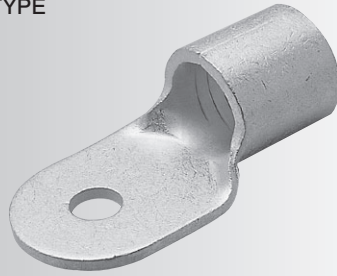
PART NUMBER	DIMENSIONS mm							WIRE RANGE			TOOL No.		STD QTY/BOX
	φd2	B	L	F	E	φD	φd	SOLID mm	STRANDED mm ²	AWG	HAND TOOL No.	TOOL BODY No. HEAD No.	
R 14-5N ※	5.3	9.0	26.0	11.5	10.0	9.0	5.8	-	10.52 } 16.78	6	NH 9 NOP 60 NOM 60 NOP 150HA NOM 150	100	
R 14-5S ○		10.0	26.5										
R 14-5 ●		12.0	27.5										
R 14-6S ○	6.4	10.0	26.5										
R 14-6 ●		12.0	27.5										
R 14-6L ○	16.0	32.5	14.5										
R 14-8S ○	8.4	12.0	27.5	11.5									
R 14-8 ●		16.0	32.5	14.5									
R 14-10 ●	10.5	16.0	32.5	14.5									
R 14-12 ●	13.0	22.0	40.0	19.0									
R 14-14 ●	15.0	30.0	48.5	23.5	12.0	11.6	7.7	-	16.78 } 26.66	4	NOP 60 NOM 60 NOP 150HA NOM 150	100	
R 14-16 ○	17.0												
R 14-20 ○	21.0												
R 22-5N ※	5.3	9.3	27.5	11.0									
R 22-5S ※ ○		11.8	31.4	13.5									
R 22-5 ○		16.5	33.3	13.05									
R 22-6S ※ ○	6.4	11.8	31.4	13.5									
R 22-6 ●		16.5	33.3	13.05									
R 22-8S ※ ○	8.4	11.8	31.4	13.5									
R 22-8 ●		16.5	33.3	13.05									
R 22-10S ※	10.5	17.5	36.3	15.55									
R 22-10 ●		13.0	22.0	42.3	19.3								
R 22-12 ●	15.0	30.0	51.3	24.3									
R 22-16 ○	17.0												
R 22-20 ○	21.0												
R 38-5 ○	5.3	22.0	42.3	18.3	13.0	13.4	9.4	-	26.66 } 42.42	2	NOP 60 NOM 60 NOP 150HA NOM 150	100	
R 38-6S ※ ○	6.4	15.3	39.0	18.35									
R 38-6 ○		22.0	42.3	18.3									
R 38-8S ※ ○	8.4	15.3	39.0	18.35									
R 38-8 ●		22.0	42.3	18.3									
R 38-10S ※ ○	10.5	15.3	39.0	18.35									
R 38-10 ●		22.0	42.3	18.3									
R 38-12 ●	13.0	30.0	52.3	24.3									
R 38-14 ●	15.0												
R 38-16 ○	17.0												
R 38-20 ○	21.0											50	

※Current, tensile length, etc. are rated lower than other terminals of the same wire size.(refer to page 147)

RING TERMINALS (R TYPE)

JIS C 2805

■ R TYPE



RoHS10
See page 2

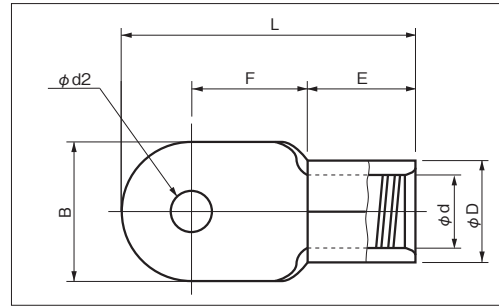
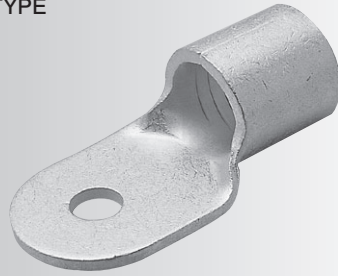
PART NUMBER	DIMENSIONS mm							WIRE RANGE			TOOL No.		STD QTY/BOX								
	φd2	B	L	F	E	φD	φd	SOLID mm	STRANDED mm ²	AWG MCM	HAND TOOL No.	TOOL BODY No.		HEAD No.							
R 60-6S ※	6.4	16.0	46.5	20.0	18.5	15.6	11.4	-	42.42 }	1/0	NOP 60 NOM 60 NOP 150HA NOM 150		100								
R 60-6 ○	6.4	22.0	48.5	19.0																	
R 60-8S ※	8.4	16.0	46.5	20.0																	
R 60-8 ●	8.4	22.0	48.5	19.0																	
R 60-10S ※	10.5	16.0	46.5	20.0																	
R 60-10 ●	10.5	22.0	48.5	19.0																	
R 60-12 ●	13.0	32.0	57.3	22.8																	
R 60-14 ●	15.0																				
R 60-16 ○	17.0																				
R 60-20 ○	21.0																				
R 60-22 ○	23.0										NA 20 NOP 700 NOM 2500A NOM 3000	N20 60 NOH 300K	25								
R 70-8 ○	8.4	24.0	51.0	20.0	19.0	17.6	13.5	-	60.57 }	2/0	NOP 150HA NOM 150		25								
R 70-10 ○	10.5																				
R 70-12 ○	13.0																				
R 70-14 ○	15.0																				
R 70-16 ○	17.0																				
R 70-20 ○	21.0																				
R 70-22 ○	23.0																				
R 80-8 ○	8.4	27.0	52.5	20.0							19.0	19.6		14.5	-	76.28 }	3/0	NOP 150HA NOM 150		50	
R 80-10 ○	10.5																				
R 80-12 ○	13.0																				
R 80-14 ○	15.0																				
R 80-16 ○	17.0																				
R 80-20 ○	21.0																				
R 80-22 ○	23.0																				
R 100-8 ○	8.4	28.5	53.5	20.25	19.0	22.5	16.4	-	96.3 }	4/0			NOP 150HA NOM 150					20			
R 100-10 ●	10.5																				
R 100-10L	10.5	32.0	62.5	27.5																	
R 100-12 ●	13.0	28.5	53.5	20.25																	
R 100-12L	13.0																				
R 100-14 ●	15.0	32.0	62.5	27.5																	
R 100-16 ●	17.0																				
R 100-18 ●	19.0																				
R 100-20 ●	21.0																				
R 100-22 ○	23.0																NOP 700 NOM 2500A NOM 3000		NOH 300K	20	
R 150-8 ○	8.4	36.0	67.3	22.3	27.0	26.6	19.5	-	117.2 }	250 }	NOP 150HA NOM 150		20								
R 150-10 ●	10.5																				
R 150-12 ●	13.0																				
R 150-12L	13.0																				
R 150-14 ●	15.0		83.3	38.3							38.3										
R 150-16 ●	17.0																				
R 150-18 ●	19.0																				
R 150-20 ●	21.0																				
R 150-22 ○	23.0																		NOP 700 NOM 2500A NOM 3000	NOH 300K	10
R 150-27 ○	28.0		42.0								35.3										

NOTE 1) ● : JIS, UL, CSA ○ : UL, CSA
2) Refer to page 12 for UL/CSA and proper strip length of wire.

RING TERMINALS (R TYPE)

JIS C 2805

■ R TYPE



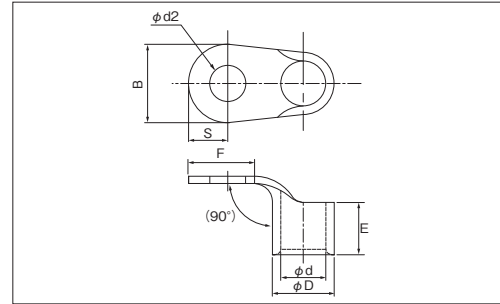
RoHS10
See page 2

PART NUMBER	DIMENSIONS mm							WIRE RANGE			TOOL No.		STD QTY/BOX										
	ϕd2	B	L	F	E	ϕD	ϕd	SOLID mm	STRANDED mm ²	AWG MCM	HAND TOOL No.	TOOL BODY No.		HEAD No.									
R 180-10 ○	10.5	38.5	77.0	28.05	29.7	28.5	20.2	-	152.05 ∩ 192.6	300 ∩ 350 MCM	NOP 700 NOM 2500A NOM 3000	NOH 300K	10										
R 180-12 ○	13.0																						
R 180-14 ○	15.0																						
R 180-16 ○	17.0		87.0	38.05																			
R 180-18 ○	19.0																						
R 180-20 ○	21.0																						
R 180-22 ○	23.0																						
R 200-10N ○	10.5	44.0	73.2	24.5	33.2	32.9	24.0	-	192.6 ∩ 242.27	400 MCM	NOP 700 NOM 2500A NOM 3000	NOH 300K	10										
R 200-10S ○			80.0	24.8																			
R 200-12N ○	13.0		73.2	24.5																			
R 200-12S ○			80.0	24.8																			
R 200-12 ●	15.0																						
R 200-14 ●	17.0		91.0	35.8																			
R 200-16 ●	19.0																						
R 200-18 ●	21.0																						
R 200-20 ●	23.0																						
R 200-22 ●	25.0																						
R 200-24 ●	28.0																						
R 200-27 ●													5										
R 250-12	13.0	44.0	91.0	35.8	33.2	35.6	26.5	-	250	-	REC-Li250M		10										
R 250-14	15.0																						
R 250-16	17.0																						
R 325-10N ○	10.5	50.5	49.0	88.5	33.0	36.5	37.8	28.0	-	242.27 ∩ 325	500 ∩ 600 MCM	NOP 700 NOM 2500A NOM 3000	NOH 300K	10									
R 325-10S ○			50.5	95.0	33.25																		
R 325-12N ○	13.0		49.0	88.5	33.0																		
R 325-12S ○																							
R 325-14S ○	15.0		95.0	33.25																			
R 325-16 ●	17.0		105.0	43.25																			
R 325-18 ●	19.0																						
R 325-20 ●	21.0																						
R 325-22 ●	23.0																						
R 325-24 ●	25.0																						
R 325-27 ●	28.0																						
													5										

NOTE 1) ● : JIS, UL, CSA ○ : UL, CSA
2) Refer to page 12 for UL/CSA and proper strip length of wire.

RING TERMINALS (90 DEGREES BEND TERMINALS)

A



RoHS10
See page 2

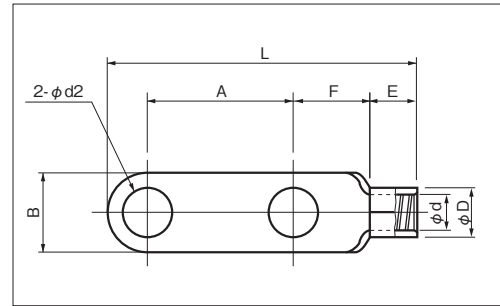
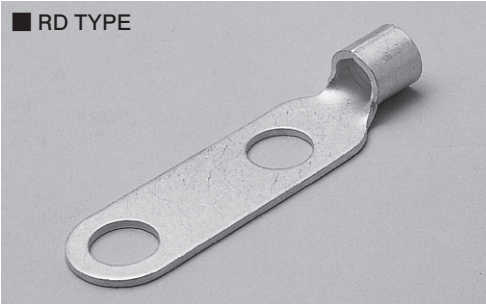
PART NUMBER	DIMENSIONS mm							WIRE RANGE		TOOL No.		STD QTY/BOX
	$\phi d2$	B	S	F(MIN)	E	ϕD	ϕd	STRANDED mm ²	AWG MCM	HAND TOOL No.	TOOL BODY No. / DIES No.	
R 1.25-4-B ○	4.3	8.0	4.0	8.5	4.5	3.4	1.7	0.25	22-16	NH1 · NH69		100
R 1.25-5-B ○	5.3	8.0	4.0	8.5				NA 10 / NA 3		N10 01 / N3 7		
R 2-4-B ○	4.3	8.5	4.25	8.5	4.5	4.2	2.3	1.04	16-14	NH1 · NH69 · NH9		100
R 2-5-B ○	5.3	9.5	4.75	9.0				NA 10 / NA 3		N10 02 / N3 7		
R 5.5-4-B ○	4.3	9.5	4.75	10.0	6.5	5.6	3.4	2.63	12-10	NH1 · NH9		100
R 5.5-5-B ○	5.3	9.5	4.75	10.0				NA 10 / NA 3		N10 03 / N3 7		
R 8-4-B ○	4.3	12.0	6.0	9.2	8.4	7.1	4.5	6.64	8	NH1 · NH9		100
R 8-5-B ○	5.3	12.0	6.0	9.2				NOP 60 / NOM 60				
R 8-6-B ○	6.4	12.0	6.0	9.2				NA 20 / N20 08				
R 8-8-B ○	8.4	15.0	7.5	15.0								
R 14-5S-B ○	5.3	10.0	5.0	10.0	10.0	9.0	5.8	10.52	6	NH9		100
R 14-5-B ○	5.3	12.0	6.0	11.0				NOP 60 / NOM 60				
R 14-6S-B ○	6.4	10.0	5.0	10.0				NOP 150HA / NOM 150				
R 14-6-B ○	6.4	12.0	6.0	11.0								
R 14-8S-B ○	8.4	12.0	6.0	11.0				NA 20 / N20 14				
R 14-8-B ○	8.4	16.0	8.0	16.0								
R 22-5S-B ○	5.3	11.8	5.9	12.8	12.0	11.6	7.7	16.78	4	NOP 60 / NOM 60		100
R 22-5-B ○	5.3	16.5	8.25	15.0				NOP 150HA / NOM 150				
R 22-6S-B ○	6.4	11.8	5.9	12.8								
R 22-6-B ○	6.4	16.5	8.25	15.0								
R 22-8S-B ○	8.4	11.8	5.9	12.8				NA 20 / N20 22				
R 22-8-B ○	8.4	16.5	8.25	15.0								
R 38-6S-B ○	6.4	15.3	7.65	17.0	13.0	13.4	9.4	26.66	2	NOP 60 / NOM 60		100
R 38-6-B ○	6.4	22.0	11.0	21.0				NOP 150HA / NOM 150				
R 38-8S-B ○	8.4	15.3	7.65	17.0								
R 38-8-B ○	8.4	22.0	11.0	21.0				NA 20 / N20 38				
CB 38-5S-B * ○	5.3	13.5	7.5	15.0								
R 60-8-B ○	8.4	22.0	11.0	22.0	18.5	15.6	11.4	42.42	1/0	NOP 60, NOM 60 / NOP 150HA, NOM 150		100
R 60-10-B ○	10.5							NA 20 / NOP 700 / NOM2500A / NOM3000		N20 60 / NOH300K		
R 60-12-B ○	13.0											
R 80-10-B ○	10.5	27.0	13.5	23.0	19.0	19.6	14.5	76.28	3/0	NOP 150HA / NOM 150		50
R 80-12-B ○	13.0											
R 100-10-B ○	10.5	28.5	14.25	24.0	19.0	22.5	16.4	96.3	4/0			50
R 100-12-B ○	13.0											
R 150-10-B ○	10.5	36.0	18.0	29.0	27.0	26.6	19.5	117.2	250 / 300 MCM	NOP700 / NOM2500A / NOM3000		20
R 150-12-B ○	13.0			43.0								
R 150-14-B ○	15.0											

NOTE

- : UL
- * CB 38-5S-B is Square Ring terminal.
- To crimp by NA20, need modification of dies holder.
- Check dimensions of washer and stud hole area.
- Refer to page 12 for UL/CSA and proper strip length of wire.

RING TERMINALS (RD TYPE)

JIS C 2805



RoHS10
See page 2

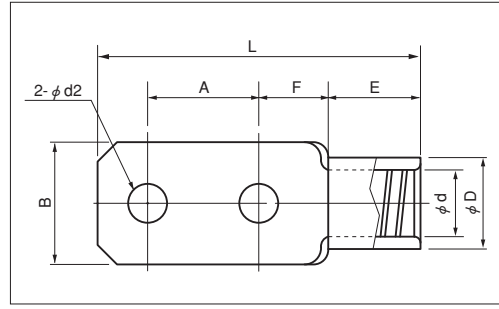
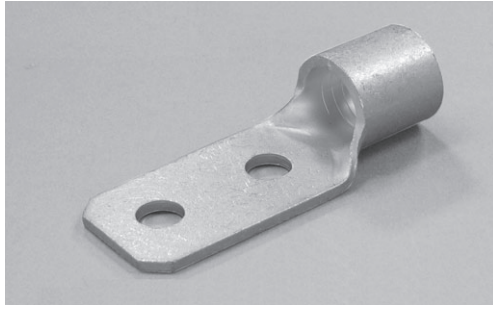
PART NUMBER	DIMENSIONS mm								WIRE RANGE			TOOL No.		STD QTY/BOX	
	φd2	B	L	A	F	E	φD	φd	SOLID mm	STRANDED mm ²	AWG MCM	HAND TOOL No.			
												TOOL BODY No.	HEAD No.		
RD 38-10	11.0	22.0	77.3	32.0	21.3	13.0	13.4	9.4	-	26.66 }	2	NOP 60 NOM 60		50	
RD 38-12	13.0		85.3	40.0								NOP 150HA NOM 150			
RD 38-w/o HOLE	-		-	-								NA 20 N20 38			
RD 60-10 ●	11.0	22.0	81.0	32.0	19.5	18.5	15.6	11.4	-	42.42 }	1/0	NOP 60, NOM 60 NOP 150HA, NOM 150		50	
RD 60-12 ●	14.0		89.0	40.0								NA 20 N20 60			
RD 60-14 ●	16.0		97.0	40.0								NOP 700 NOM 2500A NOM 3000	NOH 300K		
RD 60-w/o HOLE	-	32.0	-	-	-	-	-	-	-	60.57	-	-	-	-	
RD 70-10 ○	11.0	24.0	91.0	32.0	28.0	19.0	17.6	13.5	-	60.57 }	2/0	NOP 150HA NOM 150		20	
RD 70-12 ○	14.0			40.0								NOP 700 NOM 2500A NOM 3000	NOH 300K		
RD 70-w/o HOLE	-			-								-	-		
RD 80-10 ○	11.0	27.0	86.0	32.0	21.5	19.0	19.6	14.5	-	76.28 }	3/0	NOP 150HA NOM 150		20	
RD 80-12 ○	14.0		94.0	40.0								NOP 700 NOM 2500A NOM 3000	NOH 300K		
RD 80-14 ○	16.0		99.0	40.0								24.0	-		
RD 80-w/o HOLE	-	32.0	-	-	-	-	-	-	-	96.3	-	-	-	-	
RD 100-10 ●	11.0	28.5	87.0	32.0	21.75	19.0	22.5	16.4	-	96.3 }	4/0	NOP 150HA NOM 150		20	
RD 100-12 ●	14.0		95.0	40.0								NOP 700 NOM 2500A NOM 3000	NOH 300K		
RD 100-14 ●	16.0		99.0	40.0								24.0	-		
RD 100-w/o HOLE	-	32.0	-	-	-	-	-	-	-	117.2	-	-	-	-	
RD 150-12 ●	14.0	36.0	106.0	40.0	21.0	27.0	26.6	19.5	-	117.2 }	250- 300 MCM	NOP 150HA NOM 150		20	
RD 150-14 ●	16.0			40.0								21.0	NOP 700 NOM 2500A NOM 3000		NOH 300K
RD 150-w/o HOLE	-			-								-	-		-
RD 180-12 ○	14.0	38.5	111.0	40.0	22.05	29.9	28.5	20.2	-	152.05 }	300- 350 MCM	NOP 700 NOM 2500A NOM 3000		10	
RD 180-14 ○	16.0			40.0								22.05	NOP 700 NOM 2500A NOM 3000		NOH 300K
RD 180-w/o HOLE	-			-								-	-		-
RD 200-12 ●	14.0	44.0	117.0	40.0	21.8	33.2	32.9	24.0	-	192.6 }	400 MCM	NOP 700 NOM 2500A NOM 3000		10	
RD 200-14 ●	16.0			40.0								21.8	NOP 700 NOM 2500A NOM 3000		NOH 300K
RD 200-w/o HOLE	-			-								-	-		-
RD 250-12	14.0	44.0	117.0	40.0	21.8	33.2	35.6	26.5	-	250	-	REC-Li250M		5	
RD 250-14	16.0			40.0								21.8	-		-
RD 250-w/o HOLE	-			-								-	-		-
RD 325-12 ●	14.0	50.5	124.0	40.0	22.25	36.5	37.8	28.0	-	242.27 }	500- 600 MCM	NOP 700 NOM 2500A NOM 3000		5	
RD 325-14 ●	16.0			40.0								22.25	NOP 700 NOM 2500A NOM 3000		NOH 300K
RD 325-w/o HOLE	-			-								-	-		-

NOTE

- 1) ● : JIS, UL, CSA ○ : UL, CSA
- 2) Refer to page 12 for UL/ CSA and proper strip length of wire.

SQUARE RING TERMINALS (2 HOLES)

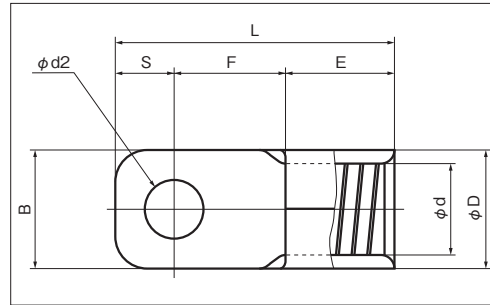
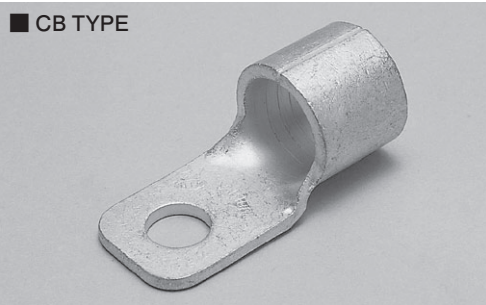
A



RoHS10
See page 2

PART NUMBER	DIMENSIONS mm								WIRE RANGE			TOOL No.		STD QTY/BOX	
	$\phi d2$	B	L	A	F	E	ϕD	ϕd	SOLID mm	STRANDED mm ²	AWG	HAND TOOL No.	TOOL BODY No.		HEAD No.
200-D-12	14	44.0	116.2	40	25.0	33.2	32.9	24	-	192.6 } 242.27	400 } MCM	NOP 700 NOM 2500A NOM 3000		NOH 300K	10
325-D-12	14	50.5	124.0	40	29.5	36.5	37.8	28	-	242.27 } 325	500 } 600 } MCM				5

SQUARE RING TERMINALS (CB TYPE)



RoHS10
See page 2

A

PART NUMBER	DIMENSIONS mm								WIRE RANGE			TOOL No.		STD QTY/BOX	
	$\phi d2$	B	L	S	F	E	ϕD	ϕd	SOLID mm	STRANDED mm ²	AWG MCM	HAND TOOL No.			
												TOOL BODY No.	HEAD No.		
CB 22-5S ○	5.3	12.5	31.0	5.5	13.5	12.0	11.6	7.7	-	16.78	4	NOP 60 NOM60 NOP 150HA NOM 150	NA 20	N20 22	100
CB 22-6S ○	6.4			6.4	12.6										
CB 22-8S ○	8.2			6.4	12.6										
CB 38-5S ○	5.3	12.5	34.8	7.5	16.3	13.0	13.4	9.4	-	26.66	2	NOP 60 NOM 60 NOP 150HA NOM 150	NA 20	N20 38	100
CB 38-6N ○	6.4			7.5											
CB 38-6S ○	6.4			7.5											
CB 60-6N	6.4	16.0	46.5	8.0	20.0	18.5	15.6	11.4	-	42.42	1/0	NOP 60 NOM 60 NOP 150HA NOM 150	NA 20	N20 60	100
CB 60-6S ○			49.5	11.0											
CB 60-8 ▲ ○			8.4	46.5											
CB 60-8S ○	8.4	49.5	11.0							60.57		NOP 700 NOM 2500A NOM 3000	NOH 300K		
CB 60-10S ○	10.5														
CB 70-8	8.4	20.5	51.0	12.0	20.0	19.0	17.8	13.5	-	60.57	2/0	NOP 150HA NOM 150	NOP 700 NOM 2500A NOM 3000	NOH 300K	25
CB 70-10	10.5									76.28					
CB 80-8	8.4	22.0	50.0	11.0	20.0	19.0	19.6	14.5	-	76.28	3/0	NOP 150HA NOM 150		50	
CB 80-8S			49.0	10.0											
CB 80-10			10.5	50.0								11.0			
CB 80-10S	10.5	49.0	10.0							96.3		NOP 700 NOM 2500A NOM 3000	NOH 300K		
CB 80-12S	13.0														
CB 100-8 ▲	8.4	22.0	52.0	11.0	22.0	19.0	22.5	16.4	-	96.3	4/0	NOP 150HA NOM 150		50	
CB 100-8S			53.0	12.0											
CB 100-10 ▲	10.5	22.0	52.0	11.0						117.2	300	NOP 700 NOM 2500A NOM 3000	NOH 300K	20	
CB 100-10S			53.0	12.0											
CB 100-12S	13.0														
CB 150-8 ▲	8.4	22.0	60.3	11.0	22.3	27.0	26.6	19.5	-	117.2	250~	NOP 150HA NOM 150		20	
CB 150-8S			61.3	12.0											
CB 150-10S	10.5	25.0	61.8	12.5						152.05	300	NOP 700 NOM 2500A NOM 3000	NOH 300K	10	
CB 150-10 ▲	13.0	22.0	61.3	12.0											
CB 150-12S	13.0														
CB 200-10S	10.5	36.0	72.0	19.0	22.3	30.7	32.9	24.0	-	192.6	400	NOP 700 NOM 2500A NOM 3000	NOH 300K	10	
CB 200-12S	13.0									242.27					
CB 325-12S	13.0	38.5	85.5	17.0	32.0	36.5	37.8	28.0	-	242.27	500-600	NOP 700 NOM 2500A NOM 3000	NOH 300K	10	
CB 325-12		44.0								325					

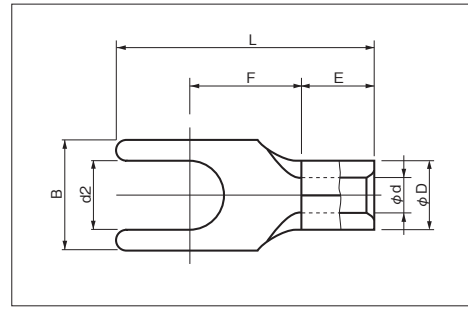
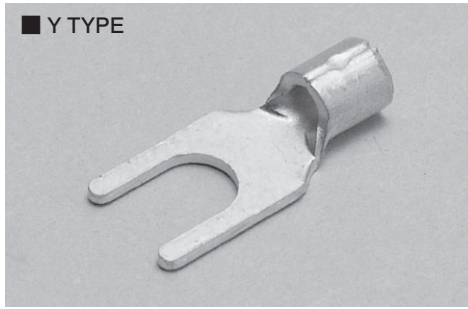
NOTE

- : UL, CSA ▲ : JEMA standards (Japan Electrical Manufacturers' Association)
- Refer to page 12 for UL/CSA and proper strip length of wire.

SPADE TERMINALS (Y TYPE)

A

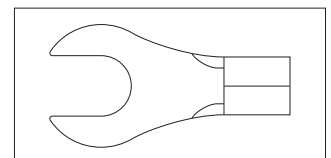
■ Y TYPE



RoHS10
See page 2

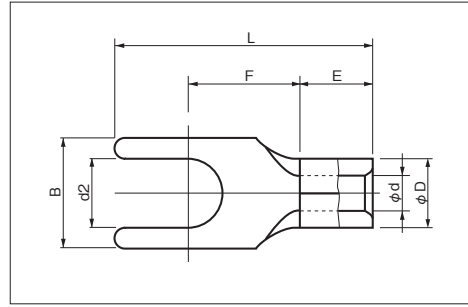
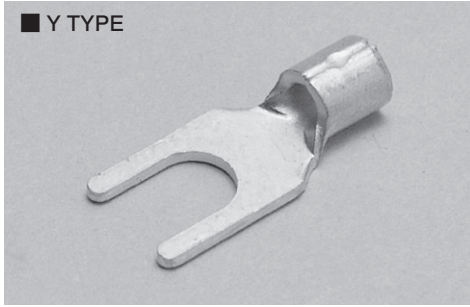
PART NUMBER	DIMENSIONS mm							WIRE RANGE			TOOL No.		STD QTY/BOX		
	d2	B	L	F	E	φD	φd	SOLID mm	STRANDED mm ²	AWG	HAND TOOL No.				
											TOOL BODY No.	DIES No.			
0.3Y-2 ○	2.2	5.2	12.0	4.9	4.5	2.2	1.0	-	0.2~0.5	24-20	NH 69		1,000 (100×10)		
0.3Y-3 ○	3.2														
0.3Y-3.5N ○	3.7										15.0	5.8			
0.3Y-4N ○	4.3													6.4	6.6
0.3Y-5 ○	5.3										8.0	15.5			
0.75Y-3 ○	3.2	5.6	14.5	5.8	4.5	2.5	1.4	-	0.3 ∩ 0.75	22-18	NH 69		1,000 (100×10)		
0.75Y-3.5 ○	3.7	5.8													
0.75Y-4 ○	4.3	6.4									15.0	6.0		NA 10 NA 3	N10 05 N3 69
1.25Y-2.5 ○	2.7	4.7									11.7	5.1			
1.25Y-3K ○	3.2	5.6									15.0	5.8			
1.25Y-3S ○		5.7	11.9	4.8											
1.25Y-3 ○		5.8	15.0	5.8											
1.25Y-3N ○			16.0	6.6											
1.25Y-3.5K ○	3.7	5.6	15.0	5.8	4.5	3.4	1.7	0.57 ∩ 1.44	0.25 ∩ 1.65	22-16	NH 1 NH 69		1,000 (100×10)		
1.25Y-3.5 ○		5.8													
1.25Y-3L ○		6.2									16.0	6.8			
1.25Y-4N ○		4.3									6.4	16.4		6.6	
1.25Y-4S ○	7.0		7.6												
1.25Y-4M ○	8.1		7.5												
1.25Y-4L ○	5.3	9.6	17.5	8.3											
1.25Y-5 ○		5.3	11.0	19.0	8.6	NA 10 NA 3	N10 01 N3 7								
1.25Y-6 ○	6.4														
2Y-3S	3.2	5.6	15.8	6.6	4.5	4.2	2.3	1.14 ∩ 1.82	1.04 ∩ 2.63	16-14	NH 1 NH 9 NH 69		1,000 (100×10)		
2Y-3 ○		5.9													
2Y-3.5K	3.7	5.6													
2Y-3.5S ○		5.8													
2Y-3.5 ○	6.4	7.6													
2Y-3.5L ○											6.6				
2Y-4N ○												7.0			
2Y-4S ○	4.3	7.0									16.0	7.0			
2Y-4 ○		8.0									17.1	7.1			
2Y-4M ○	5.3	10.0									17.1	8.7			
2Y-5 ○		8.0	16.0	7.1											
2Y-5M ○		10.0	17.1	8.7											
2Y-5L ○		12.0	18.0	8.5											
2Y-6 ○	6.4	20.0	8.6												
2Y-8 ○	8.4	14.0	22.0	11.5	NA 10 NA 3	N10 02 N3 7									

NOTE 1) ○ : UL, CSA 2) Refer to page 12 for UL/CSA and proper strip length of wire.
3) Tongue shape of 1.25Y-3S/14Y-6/14Y-8 is shown on the right.



SPADE TERMINALS (Y TYPE)

■ Y TYPE

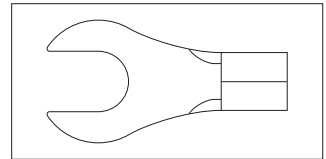


RoHS10
See page 2

A

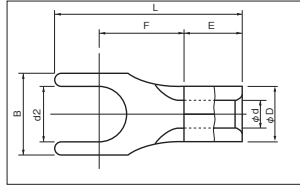
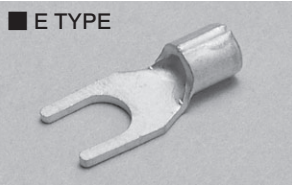
PART NUMBER	DIMENSIONS mm							WIRE RANGE			TOOL No.		STD QTY/BOX	
	d2	B	L	F	E	φD	φd	SOLID mm	STRAINED mm ²	AWG	HAND TOOL No.			
											TOOL BODY No.	DIES No.		
3.5Y-4 ○	4.3	8.0	18.0	7.2	6.0	5.0	3.0	1.82	2.63	12	NH 1 NH 9 NA 10 NA 3	N10 03 N3 7	1,000 (100×10)	
3.5Y-5 ○	5.3	9.5	20.0	8.3				2.4	4.6					
3.5Y-6 ○	6.4	12.0	22.0	9.8										
5.5Y-3.5N	3.7	7.0	17.0	7.2	6.5	5.6	3.4	1.82 2.89	2.63 6.64	12-10	NH 1 NH 9 NA 10 NA 3	N10 03 N3 7	1,000 (100×10)	
5.5Y-4S ○	4.3	8.4	18.2											
5.5Y-4 ○	5.2	9.0												
5.5Y-5 ○	6.4	12.5	25.2											12.0
5.5Y-6 ○	8.4	15	28.2											14.2
5.5Y-8	5.3	12.0	24.0											8.6
8Y-5 ○	6.4	16.0	31.7	14.5	10.0	9.0	5.8	-	10.52 16.78	6	NH 9, NOP 60 NOM 60, NOP 150HA NA 20	N20 14	100	
8Y-6 ○	8.4		31.2											
14Y-6														
14Y-8														

NOTE 1) ○ : UL, CSA 2) Refer to page 12 for UL/CSA and proper strip length of wire.
3) Tongue shape of 1.25Y-3S/14Y-6/14Y-8 is shown on the right.



SPADE TERMINALS (Y TYPE)

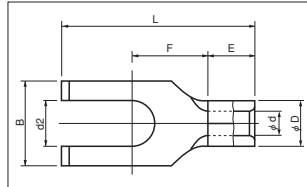
A



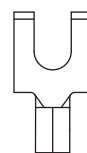
RoHS10
See page 2

PART NUMBER	DIMENSIONS mm							WIRE RANGE			TOOL No.		STD QTY/BOX
	d2	B	L	F	E	ϕD	ϕd	SOLID mm	STRANDED mm ²	AWG	HAND TOOL No. TOOL BODY No. DIES No.		
1.25Y-3NE	3.2	5.8	14.0	6.6	4.5	3.4	1.7	0.57	0.25	22-16	NH 1 NH 69 NA 10 NA 3	N10 01 N3 7	1,000 (100×10)
1.25Y-3LE	3.7	6.2		6.8									
1.25Y-4NE	4.3	6.4		14.5									
2Y-3E	3.2	5.9	14.0	6.6	4.5	4.2	2.3	1.14	1.04	16-14	NH 1 NH 69 NA 10 NA 3	N10 02 N3 7	1,000 (100×10)
2Y-3.5E	3.7	6.4	14.5										
2Y-4NE	4.3		14.5										
8Y-5E	5.3	10.5	21.0	8.6	8.4	7.1	4.5	2.89	6.64	8	NH 1 NH 9 NOP 60 NOM 60 NA 20	N20 08	100
8Y-6E	6.4												

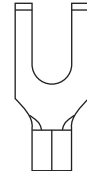
E type spade fits DIN type terminal block.



Shape



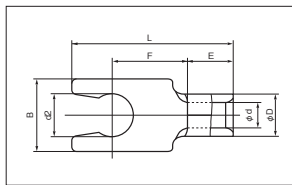
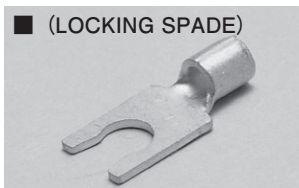
1.25mm²



2mm²

RoHS10
See page 2

PART NUMBER	DIMENSIONS mm							WIRE RANGE			TOOL No.		STD QTY/BOX
	d2	B	L	F	E	ϕD	ϕd	SOLID mm	STRANDED mm ²	AWG	HAND TOOL No. TOOL BODY No. DIES No.		
1.25Y-3W ○	3.7	7.7	14.0	5.6	4.5	3.4	1.7	0.57	0.25	22-16	NH 1 NH 69 NA 10 NA 3	N10 01 N3 7	1,000 (100×10)
1.25Y-4W ○	4.3												
1.25Y-5W ○	5.3												
2Y-3W ○	3.7	8.0	18.5	7.3	4.5	4.2	2.3	1.14	1.04	16-14	NH 1 NH 9 NH 69 NA 10 NA 3	N10 02 N3 7	1,000 (100×10)
2Y-4W ○	4.3												
2Y-5W ○	5.3												



RoHS10
See page 2

PART NUMBER	DIMENSIONS mm							WIRE RANGE			TOOL No.		STD QTY/BOX
	d2	B	L	F	E	ϕD	ϕd	SOLID mm	STRANDED mm ²	AWG	HAND TOOL No. TOOL BODY No. DIES No.		
1.25LY-3S ○	3.2	6.4	14.0	6.6	4.5	3.4	1.7	0.57	0.25	22-16	NH 1 NH 69 NA 10 NA 3	N10 01 N3 7	1,000 (100×10)
1.25LY-3.5S ○	3.7												
1.25LY-4S ○	4.3												
1.25LY-5S ○	5.3	8.4	17.0	8.5									
2LY-3S ○	3.2	6.4	14.0	6.6	4.5	4.2	2.3	1.14	1.04	16-14	NH 1 NH 9 NH 69 NA 10 NA 3	N10 02 N3 7	1,000 (100×10)
2LY-3.5S ○	3.7												
2LY-4S ○	4.3												
2LY-5S ○	5.3	8.4	17.0	8.5									
5.5LY-3.5S ○	3.7	7.9	18.2	7.6	6.5	5.6	3.4	1.82	2.63	12-10	NH 1 NH 9 NA 10 NA 3	N10 03 N3 7	1,000 (100×10)
5.5LY-4S ○	4.3												
5.5LY-5S ○	5.3												

NOTE

- : UL, CSA
- Refer to page 12 for UL/CSA and proper strip length of wire.

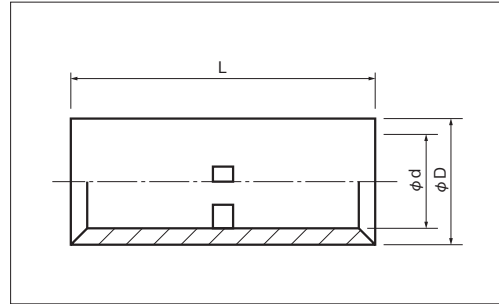
SLEEVES (B TYPE)

■ BUTT

JIS C 2806

RoHS10
See page 2

■ BUTT CONNECTOR



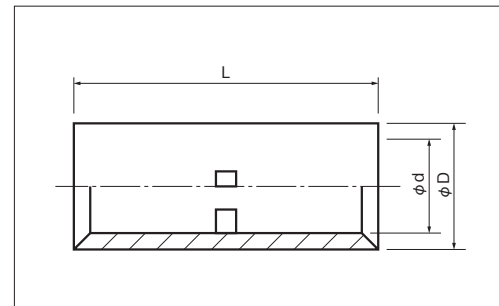
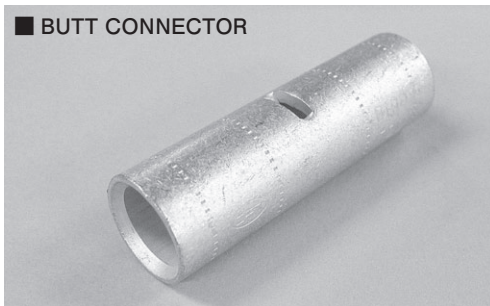
PART NUMBER	DIMENSIONS mm			WIRE RANGE			TOOL No.	STD QTY/BOX
	L	φD	φd	SOLID mm	STRANDED mm ²	AWG MCM		
B 0.5 ○	11.5	2.6	1.4	0.57~0.7	0.25~0.75	22-18	NH 69	1000 (100×10)
B 1.25 ●	15.0	3.3	1.8	0.57~1.44	0.25~1.65	22-16	NH 1 · NH 69	
B 2 ●		4.1	2.3	1.14~1.82	1.04~2.63	16-14	NH 1 · NH 9 · NH 69	
B 5.5 ●		5.4	3.5	1.82~2.89	2.63~6.64	12-10	NH 1 · NH 9	
B 8 ●	21.0	7.0	4.5	2.89~3.65	6.64~10.52	8	NH 1 · NH 9 · NOP 60	100
B 14 ●	26.0	8.9	5.8	-	10.52~16.78	6	NH 9 · NOP 60 · NOM 150 · NOP 150HA	
B 22 ●	29.0	11.3	7.7		16.78~26.66	4	NOP 60 · NOM 150 · NOP 150HA	
B 38 ●	32.0	13.2	9.4		26.66~42.42	2	NOP 60 · NOM 150 · NOP 150HA	
B 60 ●	36.0	15.3	11.4	-	42.42~60.57	1/0	NOP 60 · NOM 150 · NOP 150HA · NOH 300K (Head)	50
B 70 ○		17.5	13.3		60.57~76.28	2/0	NOM 150 · NOP 150HA · NOH 300K (Head)	
B 80 ○	38.0	19.5	14.5		76.28~96.3	3/0		20
B 100 ●		22.1	16.4		96.3~117.2	4/0		
B 150 ●	54.0	26.4	19.5	117.2~152.05	250-300MCM	NOH 300K (Head)	10	
B 180 ○	55.0	28.5	21.0	152.05~192.6	300-350MCM			
B 200 ●	63.0	32.4	24.0	192.6~242.27	400MCM	REC-Li250M	5	
B 250 ○	72.0	35.0	26.5	250	-	NOH 300K (Head)		
B 325 ●		37.0	28.0	242.27~325	500-600MCM			

NOTE

- 1) ● : JIS, UL, CSA ○ : UL, CSA 2) Refer to page 12 for UL/CSA and proper strip length of wire.
3) See page 144 for NA3, NA10, NA20 air crimping tool. 4) NOH 300K (Head) requires hydraulic pump.

■ BUTT (EXTRA LONG)

■ BUTT CONNECTOR



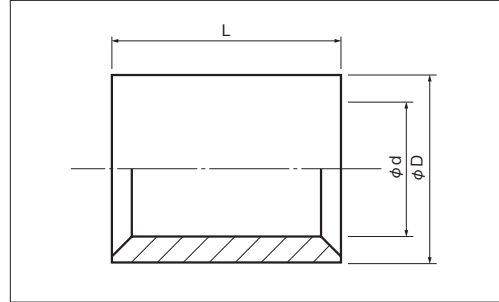
RoHS10
See page 2

PART NUMBER	DIMENSIONS mm			WIRE RANGE			TOOL No.	STD QTY/BOX
	L	φD	φd	SOLID mm	STRANDED mm ²	AWG MCM		
B 22-40L	40.0	11.3	7.7	-	16.78~26.66	4	SAME AS STANDARD BUTT CONNECTOR TOOL.	50
B 38-40L		13.2	9.4		26.66~42.42	2		50
B 60-72L	72.0	15.3	11.4		42.42~60.57	1/0		40
B 100-72L		22.1	16.4		96.3~117.2	4/0		20
B 150-72L		26.4	19.5		117.2~152.05	250-300MCM		15
B 200-72L		32.4	24.0		192.6~242.27	400MCM		10

SLEEVES (P TYPE)

JIS C 2806

A



RoHS10
See page 2

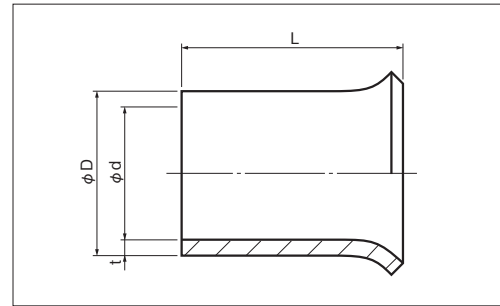
PART NUMBER	DIMENSIONS mm			WIRE RANGE		TOOL No.	STD QTY/BOX
	L	φD	φd	STRANDED mm ²	AWG MCM		
P 0.5 ○	8.0	2.6	1.4	0.25~0.75	22-18	NH 69	1,000 (100×10)
P 1.25 ○		3.3	1.8	0.25~1.65	22-16	NH 1 · NH 69	
P 2 ●		4.1	2.3	1.04~2.63	16-14	NH 1 · NH 9 · NH 69	
P 5.5 ●	8.5	5.4	3.5	2.63~6.64	12-10	NH 1 · NH 9	
P 8 ●	9.5	7.0	4.5	6.64~10.52	8	NH 1 · NH 9 · NOP 60	
P 14 ●	11.0	8.9	5.8	10.52~16.78	6	NH 9 · NOP 60 · NOM 150 · NOP150HA	100
P 22 ●	13.5	11.3	7.7	16.78~26.66	4	NOP 60 · NOM 150 · NOP 150HA	
P 38 ●	16.5	13.2	9.4	26.66~42.42	2		
P 60 ●	19.0	15.3	11.4	42.42~60.57	1/0	NOP 60 · NOM 150 · NOP 150HA · NOH 300K (Head)	50
P 70 ●		17.5	13.3	60.57~76.28	2/0	NOM 150 · NOP 150HA · NOH 300K (Head)	
P 80 ●	19.5	19.5	14.5	76.28~96.3	3/0		
P 100 ●	20.0	22.1	16.4	96.3~117.2	4/0		
P 150 ●	27.0	26.4	19.5	117.2~152.05	250-300MCM	NOH 300K (Head)	20
P 180 ●	28.5	28.5	21.0	152.05~192.6	300-350MCM		
P 200 ●	32.0	32.4	24.0	192.6~242.27	400MCM	REC-Li250M	10
P 250 ●	36.2	35.6	26.8	250	—		
P 325 ●	37.0	37.0	28.0	242.27~325	500-600MCM	NOH 300K (Head)	5

NOTE

- 1) ● : JIS, UL·CSA ○ : UL·CSA △ : UL
- 2) Refer to page 12 for UL/CSA and proper strip length of wire.
- 3) See page 144 for NA3, NA10, NA20 air crimping tool.
- 4) NOH 300K (Head) requires hydraulic pump.

OPEN END CONNECTORS (E TYPE)

JIS C 2806



RoHS10
See page 2

PART NUMBER	DIMENSIONS mm				RATED CURRENT A	TOOL No.	STD QTY/BOX
	L	φD	φd	t		HAND TOOL No.	
E-S ●	10.5	5.0	4.0	0.5	20	NHE 4	1,000 (100×10)
E-M ●		6.9	5.3	0.8	30		
E-L ●		7.7	6.1				

NOTE

- : JIS
- Use only in an electrical joint box

EXAMPLE OF WIRE COMBINATIONS

PART NUMBER	OPEN END CONNECTORS			In case of different wire size (mm)	Die indication	Die indication
	φ1.6(mm)	φ2.0(mm)	φ2.6(mm)			
E-S	2	—	—	1.6×1+0.75mm ² ×1 1.6×2+0.75mm ² ×1	1.6×2 小	
	3~4	2	—	2.0×1+1.6×1~2	小	
E-M	5~6	3~4	2	2.0×1+1.6×3~5 2.0×2+1.6×1~3 2.0×3+1.6×1 2.6×1+1.6×1~3 2.6×1+2.0×1~2 2.6×2+1.6×1 2.6×1+2.0×1+1.6×1~2	中	
E-L	7	5	3	2.0×1+1.6×6 2.0×2+1.6×4 2.0×3+1.6×2 2.0×4+1.6×1 2.6×1+2.0×3 2.6×2+1.6×2 2.6×2+2.0×1 2.6×1+2.0×2+1.6×1	大	NHE 4

END CAP



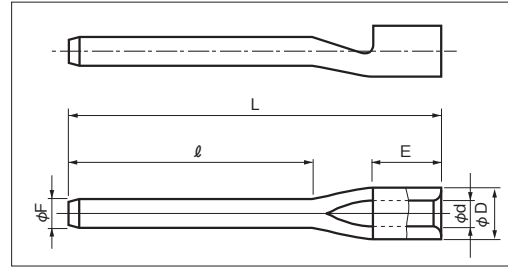
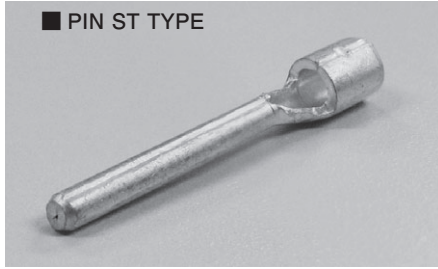
END V-S(For E-S) END V-L(For E-M & E-L)

See detail on page 135.

PIN TERMINALS (TC TYPE)

A

■ PIN ST TYPE

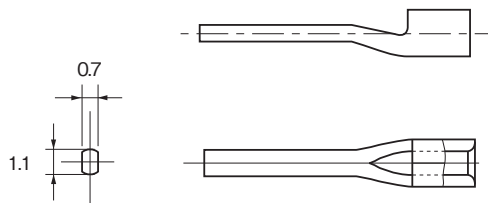


RoHS 10
See page 2

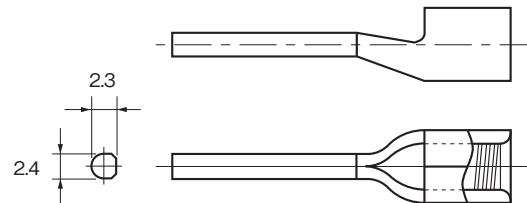
PART NUMBER	DIMENSIONS mm						WIRE RANGE			TOOL No		STD QTY/BOX
	ϕF	l	L	E	ϕD	ϕd	SOLID mm	STRANDED mm ²	AWG	HAND TOOL No.	DIES No.	
TC 0.75-13.5K-ST ○	* (1)	13.5	21.5	4.5	2.5	1.4	-	0.3 0.75	22-18	NH 69 NA 10 N10 05 NA 3 N3 69		1,000 (100×10)
TC 1.25-11S-ST	1.5	11.0	19.5	4.5	3.4	1.7	0.57 1.44	0.25 1.65	22-16	NH 1 NH 69		1,000 (100×10)
TC 1.25-11V-ST	1.9									NA 10 NA 3	N10 01 N3 7	
TC 1.25-16V-ST	1.5	16.0	24.5	4.5	4.2	2.3	1.14 1.82	1.04 2.63	16-14	NH 1 NH 9 NH 69		1,000 (100×10)
TC 1.25-18S-ST	1.9	18.0	26.5							NA 10 NA 3	N10 02 N3 7	
TC 1.25-20S-ST	1.5	20.0	28.5							NA 10 NA 3	N10 02 N3 7	
TC 2-11V-ST	1.9	11.0	19.5	6.5	5.6	3.4	1.82 2.89	2.63 6.64	12-10	NH 1 NH 9		1,000 (100×10)
TC 2-16V-ST		16.0	24.5							NA 10 NA 3	N10 03 N3 7	
TC 2-18V-ST		18.0	26.5							NA 10 NA 3	N10 03 N3 7	
TC 5.5-15-ST	1.9	15.0	26.5	8.4	7.1	4.5	2.89 3.65	6.64 10.52	8	NH 1 NH 9 NOP 60 NPM 60		500 (50×10)
TC 5.5-21-ST		21.0	32.5							NA 20 NA 3	N20 8	
TC 8-18-ST	* (2)	18.0	33.0	8.4	7.1	4.5	2.89 3.65	6.64 10.52	8	NA 20 NA 3	N20 8	500 (50×10)

No Pin edge chamfering for TC 0.75-13.5K-ST / 1.25-18S-ST / TC 2-18V-ST / 5.5-15-ST / 8-18-ST

Pin shape *(1)TC 0.75-13.5K-ST



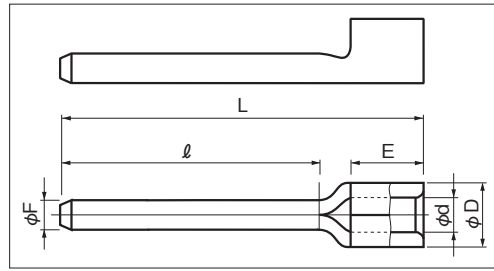
* (2)TC 8-18-ST



NOTE

- : UL, CSA
- Refer to page 12 for UL/CSA and proper strip length of wire.
- Refer to page 34 for insulation cap.

PIN TERMINALS (TC TYPE)



RoHS10
See page 2

A

PART NUMBER	DIMENSIONS mm						WIRE RANGE			TOOL No.		STD QTY/BOX
	ϕF	l	L	E	ϕD	ϕd	SOLID mm	STRANDED mm ²	AWG	HAND TOOL No.	TOOL BODY No.	
TC 0.3-9.5 ○	1.0	9.5	15.3	4.5	2.2	1.0	—	0.2~0.5 0.3~0.5 UL·CSA USE	24~20 22~20 UL·CSA USE	NH 69		1,000
TC 1.25-11 ○	1.9	11.0	17.5	4.5	3.4	1.7	0.57 ∩ 1.44	0.25 ∩ 1.65	22-16	NH 1 NH 69		1,000 (100×10)
TC 1.25-11S ○	1.5									NA 3	N3 70	
TC 1.25-16 ○	1.9	16.0	22.0									
TC 1.25-16S ○	1.5									NA 10	N10 01	
TC 1.25-20 ○	1.9	20.0	26.0									
TC 1.25-20S ○	1.5									NA 3	N3 7	
TC 2-11 ○	1.9	11.0	17.5	4.5	4.2	2.3	1.14 ∩ 1.82	1.04 ∩ 2.63	16-14	NH 1 NH 9 NH 69		1,000 (100×10)
TC 2-11S ○	1.5									NA 10	N10 02	
TC 2-16 ○	1.9	16.0	22.0									
TC 2-16S ○	1.5									NA 3	N3 7	
TC 2-20 ○	1.9	20.0	26.0									
TC 2-20S ○	1.5									NA 10	N10 03	
TC 3.5-11S ○	1.9	11.0	21.0	6.0	5.1	3.0	1.82 ∩ 2.40	2.63 ∩ 4.60	12	NH 1 NH 9	1,000 (100×10)	
TC 5.5-11 ○	2.7	11.0	21.0	6.5	5.6	3.4	1.82 ∩ 2.89	2.63 ∩ 6.64	12-10	NH 1 NH 9	1,000 (100×10)	

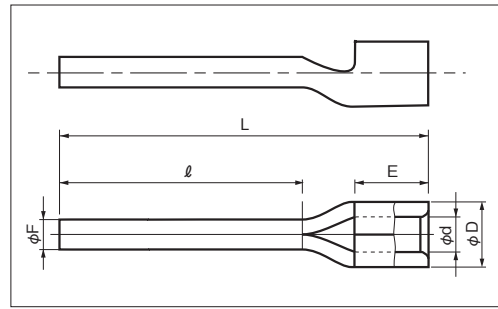
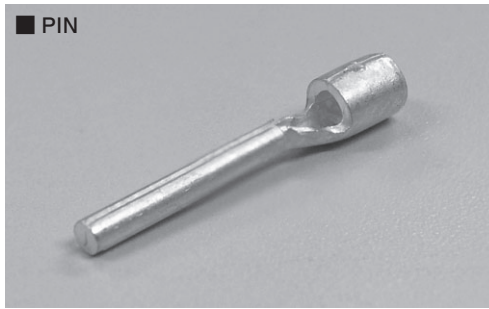
NOTE

- 1) ○ : UL, CSA
- 2) Refer to page 12 for UL/CSA and proper strip length of wire.
- 3) Refer to page 34 for insulation cap.

PIN TERMINALS WITH INSULATION CAPS

■ Pin terminal & Insulation cap is packed in package.

A



TERMINAL **RoHS 10**
CAP **RoHS 10**
See page 2

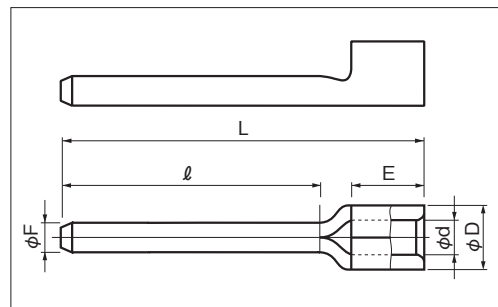
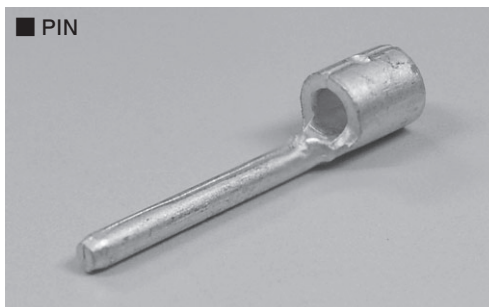
PART NUMBER	DIMENSIONS mm						WIRE RANGE			TOOL No.		CAP COLOR	STD QTY/BOX		
	ϕF	l	L	E	ϕD	ϕd	SOLID mm	STRANDED mm ²	AWG	HAND TOOL No.	TOOL BODY No. / DIES No.				
TC 1.25-13.5V-ST-C	1.9	13.5	22.0	4.5	3.4	1.7	0.57	0.25	22-16	NH 1	NA 10 / NA 3	N10 01 / N3 7	Red Translucent	1000 (100 × 10)	
TC 2-13.5V-ST-C							1.44	1.65		NH 69					
TC 2-16V-ST-C		16.0	24.5	6.5	5.6	3.4	1.14	1.04	16-14	NH 1	NA 10 / NA 3	N10 02 / N3 7			Green Translucent
TC 5.5-15ST-C		15.0	26.5				NH 9								
TC 5.5-21ST-C		21.0	32.5	2.89	6.64	12-10	NH 1	NA 10 / NA 3	N10 03 / N3 7	Yellow Translucent					
TC 8-18ST-C	See P28	18.0	33.0	8.4	7.1	4.5	2.89				6.64	8	NH 9	NOP 60 / NOM 60	Green Translucent

Ratings within rated temperature of the cap

Rated voltage / current :TC 1.25-13.5V-ST-C TC 2-13.5V-ST-C [600V / 20A]

TC 5.5-15ST-C TC 5.5-21ST-C [600V / 37A] TC 8-18ST-C [600V / 48A]

Material of cap : P.V.C. UL94V-0



TERMINAL **RoHS 10**
CAP **RoHS 10**
See page 2

PART NUMBER	DIMENSIONS mm						WIRE RANGE		TOOL No.		CAP COLOR	STD QTY/BOX	
	ϕF	l	L	E	ϕD	ϕd	STRANDED mm ²	AWG	HAND TOOL No.	TOOL BODY No. / DIES No.			
TC 235-16S-C	1.9	16.0	25.0	6.0	5.6	3.0	2.0~3.5	14-12	NH 1	NA 10 / NA 3	N10 03 / N3 7	Yellow Translucent	500 (100 × 5)
									NH 9				

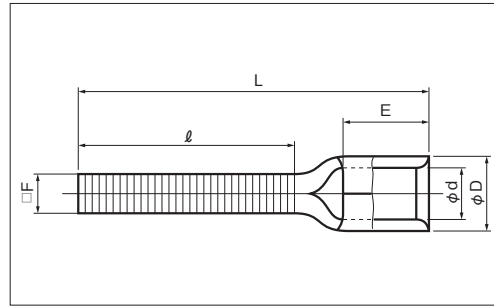
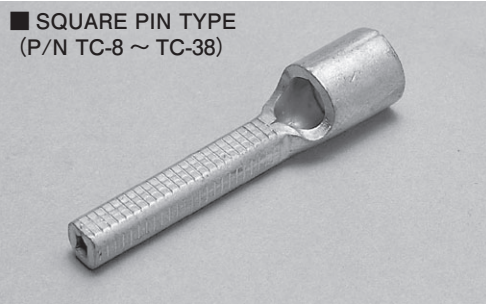
Ratings within rated temperature of the cap

Rated voltage / current :600V/20A

Material of cap : P.V.C. UL94V-0

PIN TERMINALS (TC TYPE) with CAP

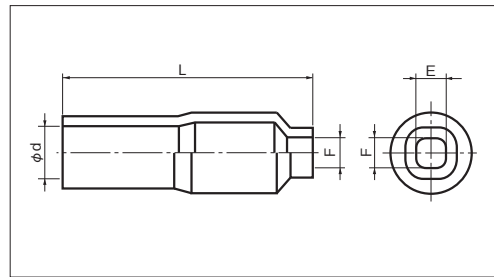
A



TERMINAL **RoHS10**
See page 2

Supplied with cap.

PART NUMBER	DIMENSIONS mm					WIRE RANGE			TOOL No.		STD QTY/BOX
	□F	ℓ	L	E	φD	φd	SOLID mm	STRANDED mm ²	AWG	HAND TOOL No. TOOL BODY No. DIES No.	
TC 8-S-C	3.5	20.0	33.5	8.4	7.1	3.5	1.82	2.63	12-10	NH 1, NH 9 NOP 60, NOM 60	50
TC 8-C						4.5	2.89	6.64			
TC 14S-C	3.5	25.0	40.5	10.0	9.0	5.8	-	10.52	6	NH 9, NOP 60 NOM 60, NOP 150HA NOM 150	50
TC 14-C						4.5	-	16.78			
TC 22S-C	3.5	28.0	47.0	12.0	11.5	7.7	-	16.78	4	NOP 60 NOM 60 NOP 150HA NOM 150	50
TC 22-C						6.5	-	26.66			
TC 38-C	6.9	30.0	50.0	13.0	13.3	9.4	-	26.66	2	-	50
TC 60-C	6.9	30.0	60.0	18.5	15.6	11.4	-	42.42			



CAP **RoHS10**
See page 2

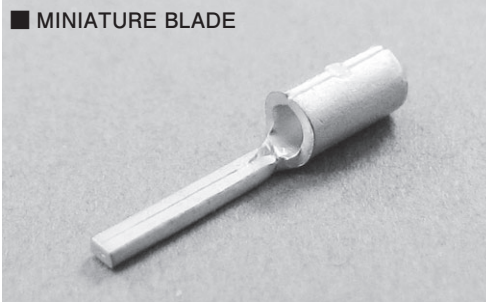
Dimensions are of caps enclosed with Pin terminals. Sold only with Pin terminals.

PART NUMBER	DIMENSIONS mm				APPLICABLE TERMINAL PART NUMBER
	φd	E	F	L	
VC 8	6.5	3.5	3.5	30.5	TC 8S TC 8
VC 14	8.5	4.5	4.5	37	TC 14S TC 14
VC 22S	10	3.5	3.5	53	TC 22S
VC 22	10	6.5	6.5	50	TC 22
VC 38	12	6.9	6.9	58	TC 38
VC 60	14.5	6.9	6.9	61	TC 60

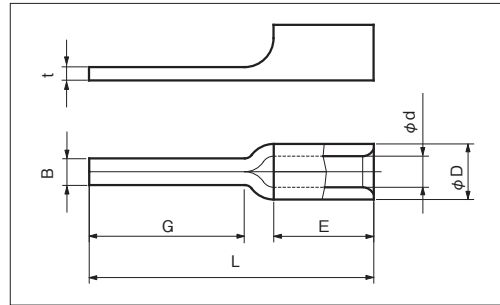
- MATERIAL : P.V.C.
- RATED VOLTAGE : 600V **[NOTE]** Translucency may not remain when applied to EP rubber insulated wire.
- COLOR : Transparent
- MAX. TEMPERATURE : 60°C

BLADE TERMINALS (BT TYPE)

A



MINIATURE BLADE



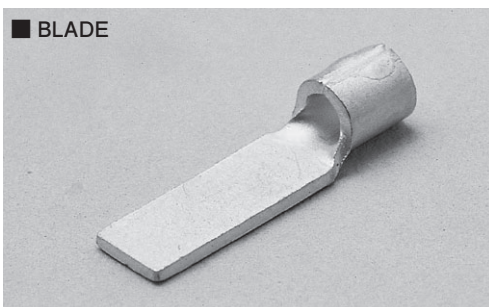
TERMINAL **RoHS10**

CAP **RoHS10**
See page 2

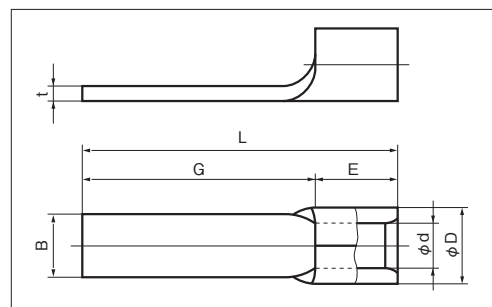
PART NUMBER	DIMENSIONS mm						WIRE RANGE		TOOL No.		STD QTY/BOX	
	B	t	L	G	E	φD	φd	STRANDED mm ²	AWG	HAND TOOL No.		DIES No.
BT 0.3-9	1.2	0.7	14.7	9.0	4.5	2.2	1.0	0.2~0.5	24-20	NH 69		100×10 (1,000)
BT 0.3-11			16.7	11.0						NA 10 NA 3	N10 04 N3 69	
BT 0.75-7 ○	1.2	0.7	12.8	7.0	4.5	2.5	1.4	0.3~0.75	22-18	NH 69		100×10 (1,000)
BT 0.75-11 ○			16.8	11.0						NA 10 NA 3	N10 05 N3 69	

PART NUMBER	CONTENT
BT 0.3-9-C	BT 0.3-9 (50pcs) + VC 0.75 (50pcs)
BT 0.3-11-C	BT 0.3-11 (50pcs) + VC 0.75 (50pcs)

Blade terminal with cap



BLADE



RoHS10
See page 2

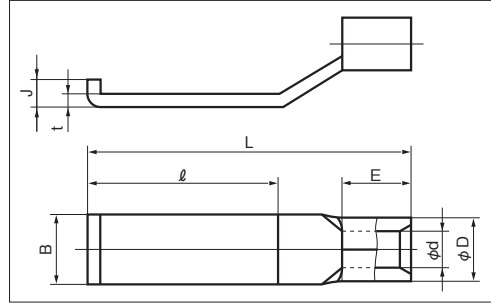
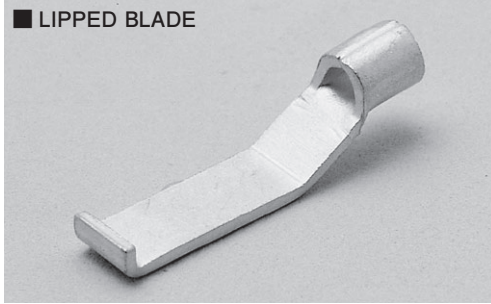
PART NUMBER	DIMENSIONS mm						WIRE RANGE			TOOL No.		STD QTY/BOX	
	B	t	L	G	E	φD	φd	SOLID mm	STRANDED mm ²	AWG	HAND TOOL No.		DIES No.
BT 1.25-7.5	1.0	0.75	15.5	11.0	4.5	3.4	1.7	0.57 1.44	0.25 1.65	22-16	NH 1 NH 69		1,000 (100×10)
BT 1.25-9-1 ○	2.2		13.5	9.0							NA 10 NA 3	N10 01 N3 7	
BT 1.25-9 ○	2.8		13.6	9.1									
BT 1.25-10-1 ○	2.2		15.0	10.5									
BT 1.25-10 ○	3.4		14.8	10.3									
BT 1.25-11 ○	3.0		15.7	11.2									
BT 1.25-13 ○	3.4		17.5	13.0									
BT 1.25-14 ○	3.0		19.1	14.6									
BT 1.25-18 ○	2.2	23.0	18.5										
BT 2-9-1 ○	2.2	0.85	13.5	9.0	4.5	4.2	2.3	1.14 1.82	1.04 2.63	16-14	NH 1 NH 9 NH 69		1,000 (100×10)
BT 2-9 ○	2.8		13.6	9.1							NA 10 NA 3	N10 02 N3 7	
BT 2-13 ○	4.6		17.5	13.0									
BT 2-18 ○	2.2		23.0	18.5									
BT 5.5-10 ○	2.8	0.95	16.5	10.0	6.5	5.6	3.4	1.82 2.89	2.63 6.64	12-10	NH 1 NH 9		1,000 (100×10)
BT 5.5-13 ○	4.5		19.5	13.0							NA 10 NA 3	N10 03 N3 7	
BT 5.5-18 ○	4.5		24.5	18.0									

NOTE

- : UL, CSA
- Refer to page 12 for UL/CSA and proper strip length of wire.
- BT 1.25-7.5 : Due to narrow blade width, specifications differ from other blade terminals.

BLADE TERMINALS (BT TYPE)

■ LIPPED BLADE



RoHS10
See page 2

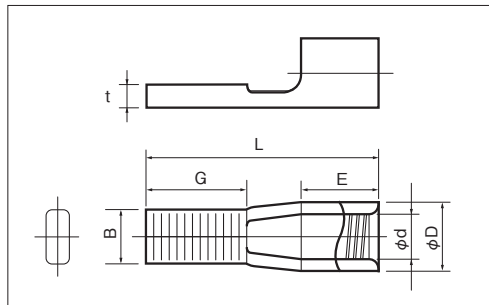
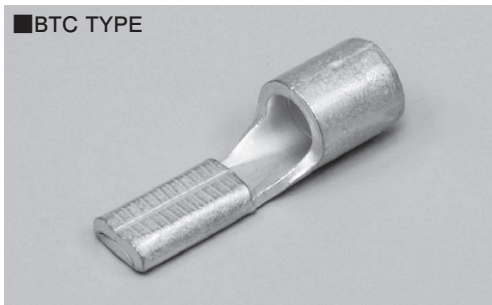
PART NUMBER	DIMENSIONS mm								WIRE RANGE			TOOL No.		STD QTY/BOX
	B	t	ℓ	L	J	E	φD	φd	SOLID mm	STRANDED mm ²	AWG	HAND TOOL No.		
												TOOL BODY No.	DIES No.	
BT 1.25-17	3.0	0.75	12.7	21.5	2.25	4.5	3.4	1.7	0.57	0.25	22-16	NH 1 NH 69		1,000 (100×10)
BT 1.25-17-1	4.6								1.44	1.65		NA 10 NA 3	N10 01 N3 7	
BT 2-17	3.0	0.85	12.7	21.5	2.30	4.5	4.2	2.3	1.14	1.04	16-14	NH 1 NH 9 NH 69		1,000 (100×10)
BT 2-17-1	4.6								1.82	2.63		NA 10 NA 3	N10 02 N3 7	
BT 5.5-17-1	4.6	0.95	12.7	23.5	2.45	6.5	5.6	3.4	1.82 2.89	2.63 6.64	12-10	NA 10 NA 3	NH 1 NH 9 N10 03 N3 7	1,000 (100×10)

NOTE

- 1) ○ : UL, CSA
- 2) Refer to page 12 for UL/CSA and proper strip length of wire.

BLADE TERMINALS (BTC TYPE)

■ BTC TYPE



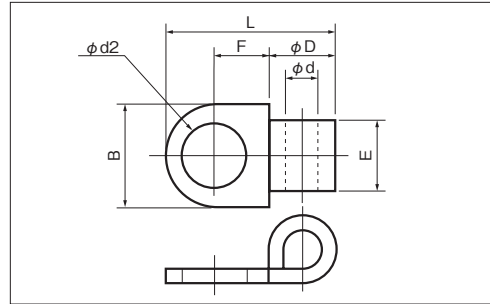
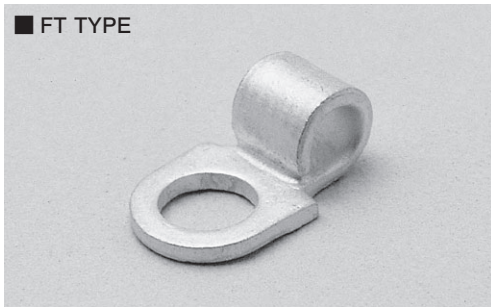
RoHS10
See page 2

PART NUMBER	DIMENSIONS mm							WIRE RANGE		TOOL No.		Dies Selection	Mating TIC CAP	STD QTY/BOX
	B	t	L	G	E	φD	φd	STRANDED mm ²	AWG	HAND TOOL No.				
										TOOL BODY No.	DIES No.			
BTC 10	7.0	(2.3)	26.4	11.0	8.4	7.1	4.5	6.64 10.52	8	NH 1, NH 9 NOP 60, NOM 60 NA 20 N20 8		8mm ²	TIC 8	100
BTC 16		(3.0)	30.0	13.0	10.0	9.0	5.8	10.52 16.78	6	NH 9, NOP 60, NOM 60 NOP 150HA, NOM 150 NA 20 N20 14				
BTC 25		(3.5)	36.0	17.0	12.0	11.6	7.7	16.78 26.66	4	NOP 60, NOM 60 NOP 150HA, NOM 150 NA 20 N20 22		22mm ²	TIC 22	

Rating BTC 10 : 61A / BTC 16 : 88A / BTC 25 : 115A

FLAG RING TERMINALS (FT TYPE)

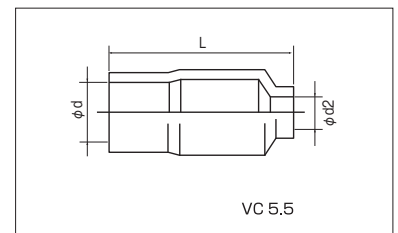
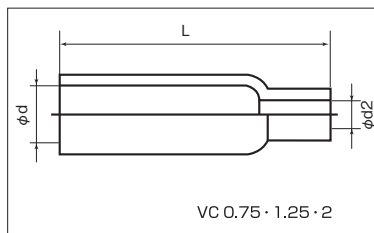
A



RoHS10
See page 2

PART NUMBER	DIMENSIONS mm							WIRE RANGE			TOOL No.		STD QTY/BOX
	φd2	B	L	F	E	φD	φd	SOLID mm	STRAINED mm ²	AWG	HAND TOOL No.	DIES No.	
FT 1-3	3.6	6.0	9.4	3.3	4.0	3.4	1.7	0.57 1.44	0.25 1.65	22-16	NH 20		1,000 (100×10)
FT 2-3	3.6	6.0	10.0	3.3	4.0	4.2	2.3	1.14 1.82	1.04 2.63	16-14	NH 20		1,000 (100×10)

INSULATION CAPS (VC TYPE)



RoHS10
See page 2

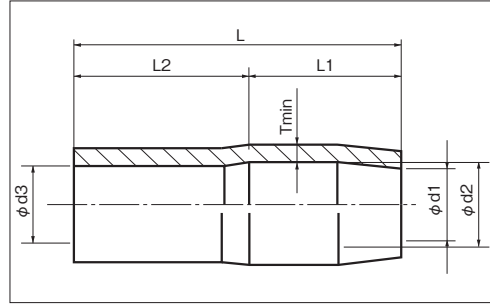
PART NUMBER	DIMENSIONS mm			APPLICABLE TERMINAL PART NUMBER	STD QTY/BAG
	φd	φd2	L		
VC 0.75	2.9	φ 1.0	14.0	BT · TC 0.75	1,000
VC 1.25	3.3	φ 2.0	16.5	TC 1.25	1,000
VC 2	4.0	φ 2.0	19.0	TC 2	1,000
VC 5.5	5.2	φ 2.8	16.0	TC 3.5-5.5	500

- MATERIAL : P.V.C.
- RATED VOLTAGE : 600V [NOTE] Color may change when applied to EP rubber insulated wire.
- COLOR : Transparent
- MAX. TEMPERATURE : 60°C

INSULATION CAPS

A

■ TIC CAP for non-insulated terminals



RoHS10
See page 2

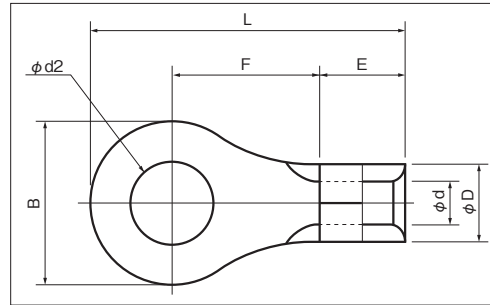
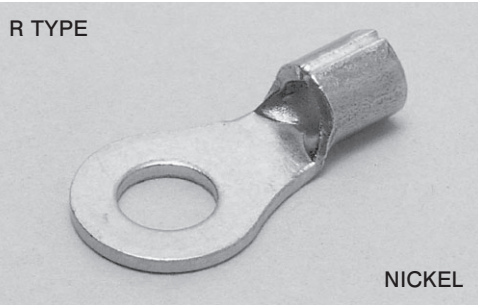
PART NUMBER	DIMENSIONS mm							APPLICABLE TERMINAL NOMINAL SIZE	STD QTY/BAG
	ϕ d1	ϕ d2	ϕ d3	L	L1	L2	T		
TIC 0.3	2.2	2.4	2.0	13.0	6.0	7.0	0.6	0.3 (Wire size 0.3mm ²)	1,000 (100×10)
TIC 0.5	2.2	2.6	2.6	13.0	—	—	0.6	0.3 (Wire size 0.5mm ²)	
TIC 0.75	2.2	2.9	2.9	13.0	—	—	0.6	0.75	
TIC 1.25	2.8	3.3	3.1	13.0	6.0	7.0	0.6	1.25	
TIC 2	3.5	4.0	3.6	14.0	7.5	6.5	0.7	2.0	
TIC 3.5	4.4	4.7	4.2	17.0	9.3	7.7	0.8	3.5	
TIC 5.5	4.7	5.2	5.2	17.0	—	—	0.8	5.5	500 (100×5)
TIC 8	5.8	6.8	6.2	19.0	11.3	7.7	1.0	8	
TIC 14	7.8	9.2	8.0	24.0	13.2	10.8	1.1	14	
TIC 22	9.5	12.0	9.5	29.0	15.0	14.0	1.2	22	100
TIC 38	11.8	14.0	11.8	33.0	17.0	16.0	1.5	38	
TIC 60	13.5	16.2	14.0	39.0	20.0	19.0	1.5	60	
TIC 80	16.0	19.0	16.0	46.0	25.0	21.0	1.6	80	50
TIC 100	18.0	22.0	18.0	54.0	30.0	24.0	1.7	100	
TIC 150	23.2	25.0	21.5	65.0	35.0	30.0	1.8	150	
TIC 200	28.0	33.0	24.5	68.0	38.7	29.3	1.8	200	20
TIC 250	32.7	37.5	27.0	73.0	42.0	31.0	2.0	250 325 (Wire size 250mm ²)	
TIC 325	32.2	37.5	30.1	75.0	42.5	32.5	2.0	325	

- MATERIAL : P.V.C.
- RATED VOLTAGE : 600V
- MAX. TEMPERATURE : 60°C
- COLOR : Red, White, Blue, Yellow,
Black, Green , Transparent , Gray & Brown.

NOTE Color may change when applied to EP rubber insulated wire.

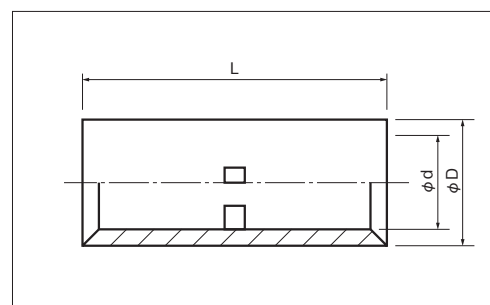
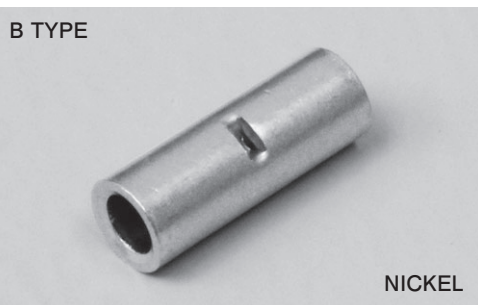
HIGH TEMPERATURE TERMINALS & SLEEVES (N TYPE)

A



RoHS10
See page 2

PART NUMBER	DIMENSIONS mm							WIRE RANGE		TOOL No.	STD QTY/BOX
	φd2	B	L	F	E	φD	φd	NICHROME/NICKEL SOLIDmm	NICKEL STRANDEDmm ²		
N 1.25-3	3.2	5.5	12.0	4.75	4.5	3.4	1.7	0.6~1.4	0.5~1.25	NH 1	1,000 (100×10)
N 1.25-4	4.3	8.0	15.6	7.1							
N 1.25-5	5.3		21.5	11.0							
N 2-4	4.3	8.5	16.5	7.75	4.5	4.2	2.3	1.5~1.8	1.25~2	NH 1	1,000 (100×10)
N 2-5	5.3	9.5	17.0								
N 2-6	6.4	12.0	21.5								
N 5.5-4	4.3	9.5	19.5	8.25	6.5	5.6	3.4	2.0~2.6	3.5~5.5	NH 1	1,000 (100×10)
N 5.5-5	5.3		23.0	10.5							
N 5.5-6	6.4		28.0	14.0							
N 5.5-8	8.4		15.0	14.0							
N 8-5	5.3	12.0	23.5	9.1	8.4	7.1	4.5	2.9~3.5	—	NOP 60 NOM 60	1,000 (100×10)
N 8-6	6.4										
N 8-8	8.4										
N 8-10	10.5										15.0
N 14-6	6.4	12.0	27.5	11.5	10.0	9.0	5.8	4.0~4.5	—	NOP 60 NOM 60 NOP 150H NOM 150	100
N 14-8	8.4	16.0	32.5	14.5							
N 22-8	8.4	16.5	33.3	13.05	12.0	11.5	7.7	5.0~5.5	—	NOP 60 NOM 60 NOP 150H NOM 150	100
N 38-10	10.5	22.0	42.3	18.3	13.0	13.3	9.4	6.0~6.5	—	NOP 60 NOM 60 NOP 150H NOM 150	100



RoHS10
See page 2

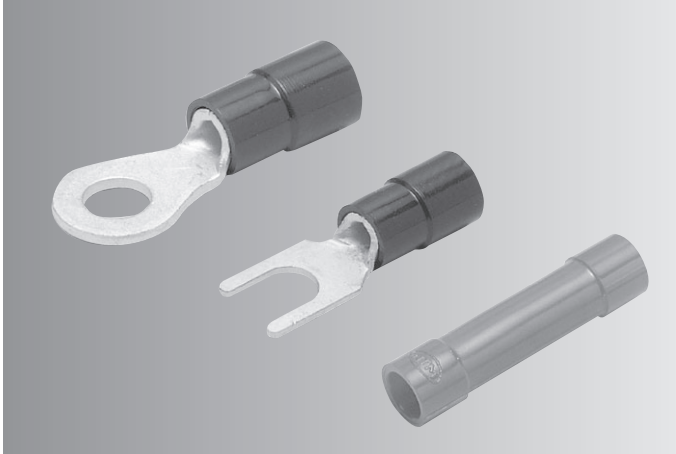
PART NUMBER	DIMENSIONS mm			WIRE RANGE		TOOL No.	STD QTY/BOX
	L	φD	φd	NICHROME/NICKEL SOLIDmm	NICKEL STRANDEDmm ²		
NB 1.25	15.0	3.3	1.8	0.6~1.4	0.5~1.25	NH 1	1,000 (100×10)
NB 2		4.1	2.3	1.5~1.8	1.25~2		
NB 5.5		5.4	3.5	2.0~2.6	3.5~5.5		

MATERIAL : NICKEL for 400°C MAX

NOTE

- 1) Same tools used for Copper Terminals & Sleeves although endurance is low with high temperature terminals.
- 2) Indicated wire range is size per wire for both single and stranded.

INSULATED TERMINALS & SLEEVES



SPECIFICATION

- **MATERIAL** : Oxygen free copper strip/tube. (electro-tin-plated)
Insulator : Vinyl/Nylon/Polycarbonate
- **RATED VOLTAGE** : 300V (Vinyl/Nylon)
600V (Polycarbonate)
- **RATED CURRENT** : Please see amperage rating table for insulated wires. page 147
- **INSULATOR TEMPERATURE** : - 40°C~+ 75°C (Vinyl)
- 40°C~+ 105°C (Nylon)
- 40°C~+ 125°C (Polycarbonate)
- **FLAME RETARDANCE** : UL94V0 (Vinyl)
UL94V2 (Nylon)
UL94V2 (Polycarbonate)

STANDARDS

- Japanese Industrial Standards, JIS C2805
- UL486A (File No. E44245)
- CSA C22.2 (File No. LR-28418)



FOR SAFETY USE

Please observe the following points to prevent over heat and possible fire.

- Copper wire only.
- Use our recommended tools.
- Use with specified wire range.

(NOTE)

APPLICABLE WIRE

Wire range and performance ratings comply with JIS standards wire (IV, KIV, VSF)

UL/CSA

To have UL/CSA listed or certified, use proper Nichifu crimp tool. To find correct tool, see our tool selection page 145~146.

INSULATOR/COLOR

STANDARD COLOR				
	TME0.3/0.5	TME1.25	TME2	TME5.5
VINYL	Yellow	Red	Blue	Yellow
NYLON	Yellow translucent	Red translucent	Blue translucent	Yellow translucent

●Contact us for production lot, leadtime and pricing of specially colored insulators excluding transparent and standard color for TMEV(Vinyl).

WIRE STRIP LENGTH

A strip length should be approx. 2mm longer than crimp barrel length. (Conductor should come out 1mm from crimp barrel.)

NYLON PRODUCTS

①Due to greater water absorption rate than vinyl, keep unused parts in closed container. Consume as soon as possible

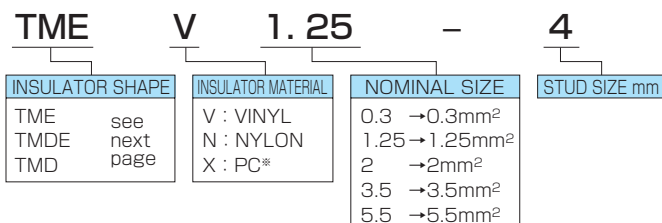
②See wire range of Nylon insulated terminal & sleeve.

Terminal: 0.3~1.65mm²(AWG22-16)

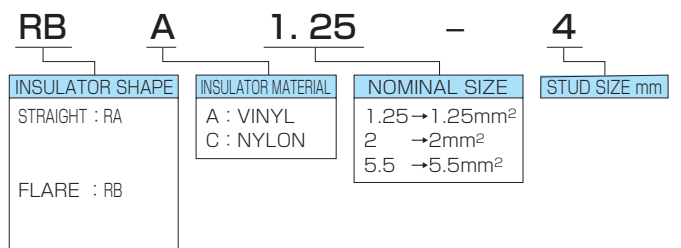
Sleeve: 0.5~1.65mm²(AWG20-16)

STRUCTURE OF OUR PART NUMBER

NICHIFU P/N



JIS P/N

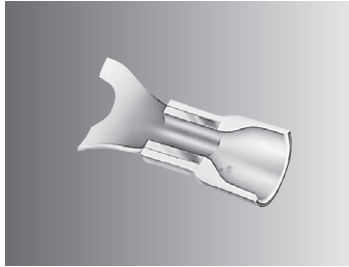


*POLYCARBONATE

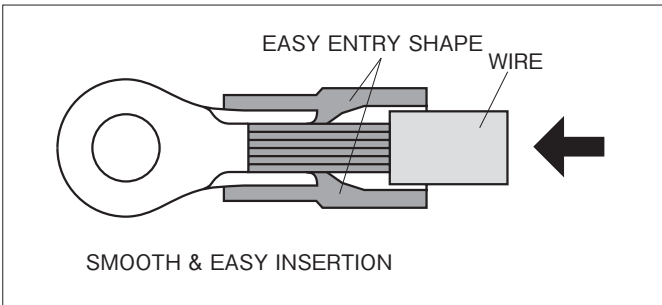
INSULATED TERMINALS & SLEEVES

SHAPE OF WIRE ENTRANCE

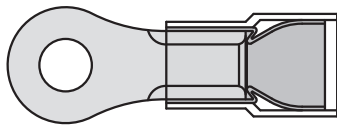
■ TME TYPE (EASY ENTRY)



Our TME insulated terminals are featured as easy entry structures which were innovated by NICHIFU. Wires can be easily inserted into the barrel. No need to twist.

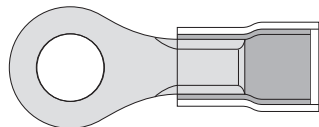


■ TMDEN TYPE (EASY ENTRY)



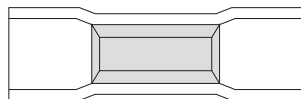
Nylon, easy entry, double grip terminals, anti-vibration. UL/CSA. Non-stock items.

■ TMD TYPE



Double grip terminal, anti-vibration.

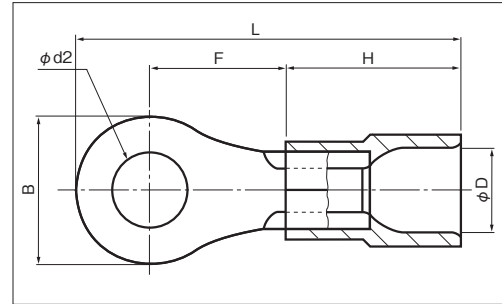
■ TM TYPE



Our insulated Butt/Parallel uses flared insulator.

INSULATED RING TERMINALS (R TYPE) TMEV : Vinyl

JIS C 2805



RoHS10
See page 2

B

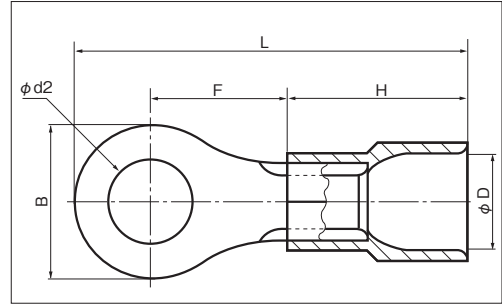
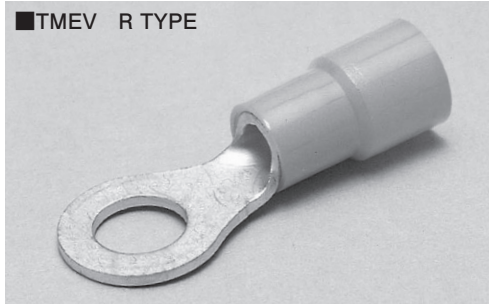
PART NUMBER	DIMENSIONS mm						WIRE RANGE		TOOL No.		STD COLOR	STD QTY/BOX
	$\phi d2$	B	L	F	H	ϕD	STRANDED mm ²	AWG	HAND TOOL No.	DIES No.		
TMEV 0.3-2 ○	2.2	5.2	17.5	4.9	10.0	2.8	0.2-0.5	24-20	NH 5	NH 32	YELLOW	1,000 (100×10)
TMEV 0.3-3 ○	3.2		19.8	7.2								
TMEV 0.3-3N ○	3.2	19.8	7.2									
TMEV 0.3-3.5 ○	3.7	20.5	7.2									
TMEV 0.3-4 ○	4.3	20.5	7.2									
TMEV 0.3-5 ○	5.3	8.0	21.0	7.0					NA 10 NA 3	N10 10 N3 5		
TMEV 1.25-2 ○	2.2	5.5	17.5	4.75	10.0	4.1	0.3~1.65	22-16	NH 11	NH 32	RED	1,000 (100×10)
TMEV 1.25-2S ○	2.2	5.7	17.4	4.55								
TMEV 1.25-3 (RBA 1.25-3) ●	3.2	5.5	17.5	4.75								
TMEV 1.25-3N ○	3.2	5.6	20.4	7.6								
TMEV 1.25-3S ○	3.2	5.7	17.4	4.55								
TMEV 1.25-3.5N ○	3.7	5.6	20.4	7.6								
TMEV 1.25-3.5S ○	3.7	5.7	17.4	4.55								
TMEV 1.25-3.5 (RBA 1.25-3.5) ●	3.7	6.6	18.8	5.5								
TMEV 1.25-3.5M ○	3.7	6.8	19.4	6.0								
TMEV 1.25-3.5L ○	3.7	8.0	21.1	7.1								
TMEV 1.25-4M ○	4.3	6.8	19.4	6.0								
TMEV 1.25-4 (RBA 1.25-4) ●	4.3	8.0	21.1	7.1								
TMEV 1.25-5 (RBA 1.25-5) ●	5.3	8.0	21.1	7.1								
TMEV 1.25-6 ○	6.4	12.0	25.7	9.7								
TMEV 1.25-8 ○	8.4	12.0	25.7	9.7								
TMEV 1.25-10 ○	10.5	16.5	30.5	12.25								
TMEV 2-2 ○	2.2	6.5	18.2	4.95	10.0	4.5	1.04 } 2.63	16-14	NH 12	NH 32	BLUE	1,000 (100×10)
TMEV 2-3N ○	3.2	5.6	20.4	7.6								
TMEV 2-3S ○	3.2	5.7	17.8	4.95								
TMEV 2-3 ○	3.2	6.5	18.2	4.95								
TMEV 2-3.5N ○	3.7	5.6	20.4	7.6								
TMEV 2-3.5NS ○	3.7	6.5	18.2	4.95								
TMEV 2-3.5 (RBA 2-3.5) ●	3.7	6.6	19.9	6.6								
TMEV 2-3.5S ○	3.7	6.6	20.9	7.6								
TMEV 2-3.5M ○	3.7	8.0	21.5	7.5								
TMEV 2-4S ○	4.3	6.6	19.9	6.6								
TMEV 2-4M ○	4.3	8.0	21.5	7.5								
TMEV 2-4 (RBA 2-4) ●	4.3	8.5	22.0	7.75								
TMEV 2-5M ○	5.3	8.0	21.5	7.5								
TMEV 2-5 (RBA 2-5) ●	5.3	9.5	22.5	7.75								
TMEV 2-6 (RBA 2-6) ●	6.4	12.0	27.0	11.0								
TMEV 2-8 (RBA 2-8) ●	8.4	12.0	27.0	11.0								
TMEV 2-10 ○	10.5	15.0	30.0	12.5								
TMEV 2-12 ○	13.0	19.0	34.0	14.5								

NOTE

- : JIS/UL/CSA ○ : UL/CSA
- Refer to page 37 for UL/CSA, insulator material/color, proper strip length of wire.
- JIS part No. is shown in parenthesis.
- Transparent and colored insulators are available for TMEV(Vinyl).

INSULATED RING TERMINALS (R TYPE) TMEV : Vinyl

JIS C 2805

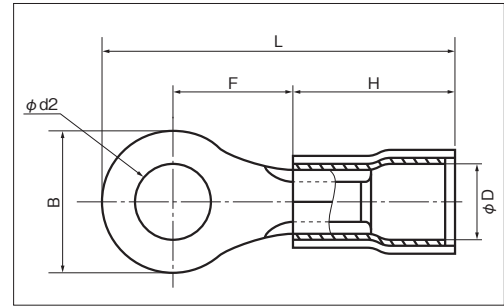
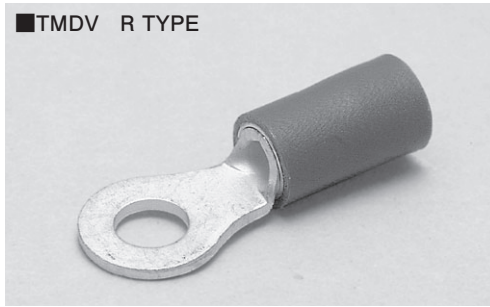


RoHS 10
See page 2

PART NUMBER	DIMENSIONS mm						WIRE RANGE		TOOL No.		STD COLOR	STD QTY/BOX
	φ d2	B	L	F	H	φ D	STRAINED mm ²	AWG	HAND TOOL No.			
									TOOL BODY No.	DIES No.		
TMEV 3.5-4 ○	4.3	8.0	26.0	8.0	14.0	6.3	2.63 ∩ 4.6	12	NH 13		YELLOW	100
TMEV 3.5-5S ○	5.3	9.6	28.0	9.2								
TMEV 3.5-5L ○		12.0	29.4	9.4								
TMEV 3.5-6L ○	6.4		13.5	33.5					12.75	NA 10		
TMEV 3.5-8 ○	8.4	NA 3								N3 13		
TMEV 5.5-3M ○	3.2	6.5	24.45	7.2	14.0	6.8	2.63 ∩ 6.64	12-10	NH 13		YELLOW	100
TMEV 5.5-3N ○		7.0	24.7									
TMEV 5.5-3S ○		9.0	25.7									
TMEV 5.5-3.5N ○		3.7	7.0						24.7			
TMEV 5.5-3.5S ○			9.0						25.7			
TMEV 5.5-3.5 ○	9.5	27.0	8.25									
TMEV 5.5-4N ○	4.3	7.0	24.7	7.2								
TMEV 5.5-4S ○		9.0	25.7									
TMEV 5.5-4 (RBA 5.5-4) ●		9.5	27.0						8.25			
TMEV 5.5-5N ○	5.3	8.0	25.2	7.2								
TMEV 5.5-5S ○		9.0	25.7									
TMEV 5.5-5 (RBA 5.5-5) ●		9.5	27.0						8.25			
TMEV 5.5-6 (RBA 5.5-6) ●	6.4	12.0	30.5	10.5								
TMEV 5.5-8 (RBA 5.5-8) ●	8.4	15.0	35.5	14.0								
TMEV 5.5-10 (RBA 5.5-10) ●	10.5											
TMEV 5.5-12 ○	13.0											
TMEV 5.5-14 ○	15.0	19.2	40.0	16.4 18.0	NA 10 NA 3	N10 13 N3 13		50				

NOTE

- 1) ● : JIS/UL/CSA ○ : UL/CSA
- 2) Refer to page 37 for UL/CSA, insulator material/color, proper strip length of wire.
- 3) JIS part No. is shown in parenthesis.
- 4) Transparent and colored insulators are available for TMEV(Vinyl).



RoHS 6
See page 2

Non stock item

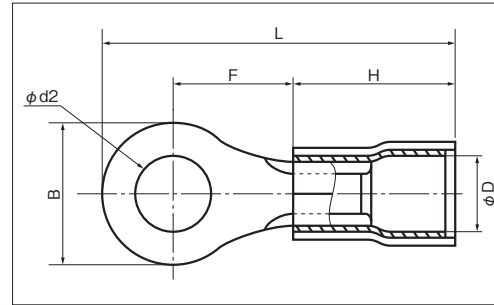
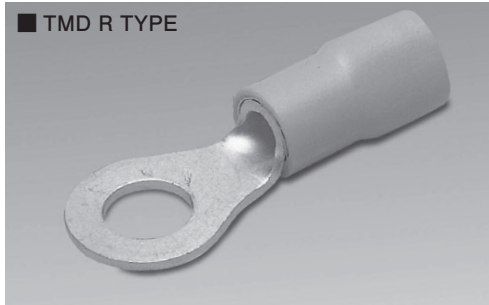
PART NUMBER	DIMENSIONS mm						WIRE RANGE		TOOL No.		STD COLOR	STD QTY/BOX
	φd2	B	L	F	H	φD	STRANDED mm ²	AWG	HAND TOOL No.			
									TOOL BODY No.	DIES No.		
TMDV 1.25-2 ○	2.2	5.5	17.5	4.75	10.0	4.0	0.3 } 1.65	22-16	NH 11 NH 32	RED	1,000 (100×10)	
TMDV 1.25-2S ○		5.7	17.4	4.55								
TMDV 1.25-3 ○	3.2	5.5	17.5	4.75								
TMDV 1.25-3N ○		5.6	20.4	7.6								
TMDV 1.25-3S ○	3.7	5.7	17.4	4.55								
TMDV 1.25-3.5N ○		5.6	20.4	7.6								
TMDV 1.25-3.5S ○	4.3	5.7	17.4	4.55								
TMDV 1.25-3.5 ○		6.6	18.8	5.5								
TMDV 1.25-3.5M ○	5.3	6.8	19.4	6.0								
TMDV 1.25-3.5L ○		8.0	21.1	7.1								
TMDV 1.25-4M ○	6.4	6.8	19.4	6.0								
TMDV 1.25-4 ○		8.0	21.1	7.1								
TMDV 1.25-5 ○	8.4	12.0	25.7	9.7								
TMDV 1.25-6 ○												
TMDV 1.25-8 ○	10.5	16.5	30.5	12.25	NA 10	N10 21						
TMDV 1.25-10 ○												
TMDV 2-2 ○	2.2	6.5	18.2	4.95	10.0	4.3	1.04 } 2.63	16-14	NH 12 NH 32	BLUE	1,000 (100×10)	
TMDV 2-3N ○		5.6	20.4	7.6								
TMDV 2-3S ○	3.2	5.7	17.8	4.95								
TMDV 2-3 ○		6.5	18.2									
TMDV 2-3.5N ○	3.7	5.6	20.4	7.6								
TMDV 2-3.5NS ○		6.5	18.2	4.95								
TMDV 2-3.5 ○	4.3	6.6	19.9	6.6								
TMDV 2-3.5S ○		6.6	20.9	7.6								
TMDV 2-3.5M ○	5.3	8.0	21.5	7.5								
TMDV 2-4S ○		6.6	19.9	6.6								
TMDV 2-4 ○	8.4	8.5	22.0	7.75								
TMDV 2-4M ○		8.0	21.5	7.5								
TMDV 2-5M ○	6.4	12.0	27.0	11.0								
TMDV 2-5 ○					9.5	22.5	7.75					
TMDV 2-6 ○	10.5	15.0	30.0	12.5	NA 10	N10 22						
TMDV 2-8 ○												
TMDV 2-10 ○	13.0	19.0	34.0	14.5								
TMDV 2-12 ○												

NOTE

- : UL/CSA INSULATOR MATERIAL
- Refer to page 37 for UL/CSA, insulator material/color, proper strip length of wire and Nylon insulated products.
- TMDEN Type is also available, see page 38.

INSULATED RING TERMINALS WITH EXTRA COPPER SLEEVE (R TYPE)

TMDV : Vinyl



B

RoHS 6
See page 2

Non stock item

PART NUMBER	DIMENSIONS mm						WIRE RANGE		TOOL No.		STD COLOR	STD QTY/BOX
	$\phi d2$	B	L	F	H	ϕD	STRANDED mm ²	AWG	HAND TOOL No.	DIES No.		
TMDV 5.5-3M ○	3.2	6.5	24.45	7.2	14.0	6.0	2.63 ∪ 6.64	12-10	NH 13		YELLOW	100
TMDV 5.5-3N ○		7.0	24.7									
TMDV 5.5-3S ○		9.0	25.7									
TMDV 5.5-3.5N ○	3.7	7.0	24.7									
TMDV 5.5-3.5S ○		9.0	25.7									
TMDV 5.5-3.5 ○		9.5	27.0	8.25								
TMDV 5.5-4N ○	4.3	7.0	24.7	7.2								
TMDV 5.5-4S ○		9.0	25.7									
TMDV 5.5-4 ○		9.5	27.0									
TMDV 5.5-5N ○	5.3	8.0	25.2	7.2								
TMDV 5.5-5S ○		9.0	25.7									
TMDV 5.5-5 ○		9.5	27.0									
TMDV 5.5-6 ○	6.4	12.0	30.5	10.5								
TMDV 5.5-8 ○	8.4	15.0	35.5	14.0								
TMDV 5.5-10 ○	10.5											
TMDV 5.5-12 ○	13.0											
TMDV 5.5-14 ○	15.0	19.2	40.0	16.4				NA 10	N10 23		50	

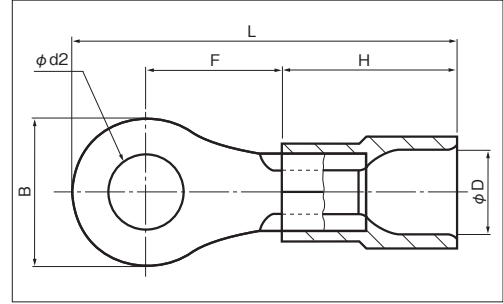
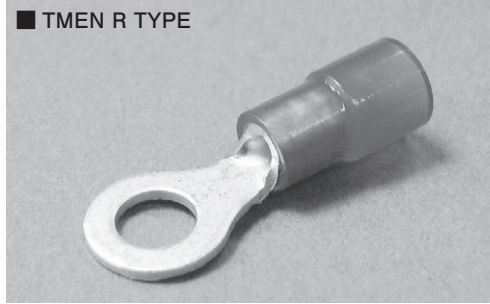
NOTE

- 1) ○ : UL/CSA
- 2) Refer to page 37 for UL/CSA, proper strip length of wire.
- 3) TMDEN Type is also available, see page 38.

INSULATED RING TERMINALS (R TYPE) TMEN : Nylon

JIS C 2805

■ TMEN R TYPE



RoHS 10
See page 2

RoHS 10
Yellow Nylon
See page 2

Non stock item

B

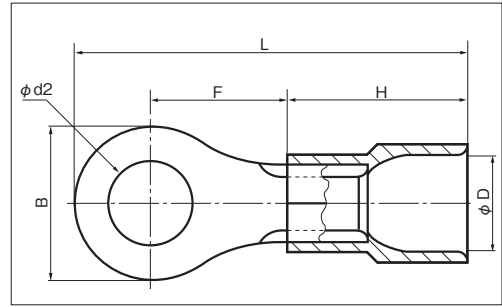
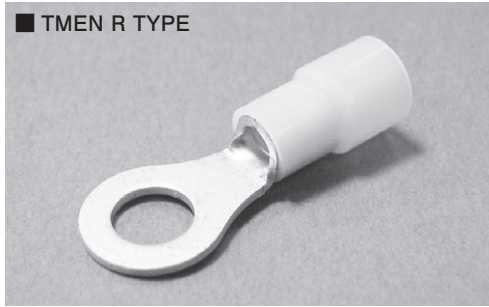
PART NUMBER	DIMENSIONS mm						WIRE RANGE		TOOL No.		STD COLOR	STD QTY/BOX
	φ d2	B	L	F	H	φ D	STRANDED mm ²	AWG	HAND TOOL No.	DIES No.		
TMEN 0.3-2	○ 2.2	5.2	17.5	4.9	10.0	2.8	0.2-0.5	24-20	NH 5	NH 32	YELLOW TRANSLUCENT	1,000 (100×10)
TMEN 0.3-3	○ 3.2		19.8	7.2								
TMEN 0.3-3N	○ 3.2		19.8	7.2								
TMEN 0.3-3.5	○ 3.7		20.5	7.2								
TMEN 0.3-4	○ 4.3		20.5	7.2								
TMEN 0.3-5	○ 5.3	8.0	21.0	7.0				NA 10 NA 3	N10 10 N3 5			
TMEN 1.25-2	○ 2.2	5.5	17.5	4.75	10.0	4.1	0.3 ∩ 1.65	22-16	NH 11 NH 32	RED TRANSLUCENT	1,000 (100×10)	
TMEN 1.25-2S	○ 2.2	5.7	17.4	4.55								
TMEN 1.25-3 (RBC 1.25-3) ●	○ 3.2	5.5	17.5	4.75								
TMEN 1.25-3N	○ 3.2	5.6	20.4	7.6								
TMEN 1.25-3S	○ 3.2	5.7	17.4	4.55								
TMEN 1.25-3.5N	○ 3.7	5.6	20.4	7.6								
TMEN 1.25-3.5S	○ 3.7	5.7	17.4	4.55								
TMEN 1.25-3.5 (RBC 1.25-3.5) ●	○ 3.7	6.6	18.8	5.5								
TMEN 1.25-3.5M	○ 3.7	6.8	19.4	6.0								
TMEN 1.25-3.5L	○ 3.7	8.0	21.1	7.1								
TMEN 1.25-4M	○ 4.3	6.8	19.4	6.0								
TMEN 1.25-4 (RBC 1.25-4) ●	○ 4.3	8.0	21.1	7.1								
TMEN 1.25-5 (RBC 1.25-5) ●	○ 5.3	8.0	21.1	7.1								
TMEN 1.25-6	○ 6.4	12.0	25.7	9.7								
TMEN 1.25-8	○ 8.4	12.0	25.7	9.7								
TMEN 1.25-10	○ 10.5	16.5	30.5	12.25								
TMEN 2-2	○ 2.2	6.5	18.2	4.95	10.0	4.5	1.04 ∩ 2.63	16-14	NH 12 NH 32	BLUE TRANSLUCENT	1,000 (100×10)	
TMEN 2-3N	○ 3.2	5.6	20.4	7.6								
TMEN 2-3S	○ 3.2	5.7	17.8	4.95								
TMEN 2-3	○ 3.2	6.5	18.2	4.95								
TMEN 2-3.5N	○ 3.7	5.6	20.4	7.6								
TMEN 2-3.5NS	○ 3.7	6.5	18.2	4.95								
TMEN 2-3.5 (RBC 2-3.5) ●	○ 3.7	6.6	19.9	6.6								
TMEN 2-3.5S	○ 3.7	6.6	20.9	7.6								
TMEN 2-3.5M	○ 3.7	8.0	21.5	7.5								
TMEN 2-4S	○ 4.3	6.6	19.9	6.6								
TMEN 2-4M	○ 4.3	8.0	21.5	7.5								
TMEN 2-4 (RBC 2-4) ●	○ 4.3	8.5	22.0	7.75								
TMEN 2-5M	○ 5.3	8.0	21.5	7.5								
TMEN 2-5 (RBC 2-5) ●	○ 5.3	9.5	22.5	7.75								
TMEN 2-6 (RBC 2-6) ●	○ 6.4	12.0	27.0	11.0								
TMEN 2-8 (RBC 2-8) ●	○ 8.4	12.0	27.0	11.0								
TMEN 2-10	○ 10.5	15.0	30.0	12.5								
TMEN 2-12	○ 13.0	19.0	34.0	14.5								

NOTE

- 1) ● : JIS/UL/CSA ○ : UL/CSA
- 2) Refer to page 37 for UL/CSA, insulator material/color, proper strip length of wire and Nylon insulated products.
- 3) JIS part No. is shown in parenthesis.

INSULATED RING TERMINALS (R TYPE) TMEN : Nylon

JIS C 2805



RoHS10
Yellow Nylon
See page 2

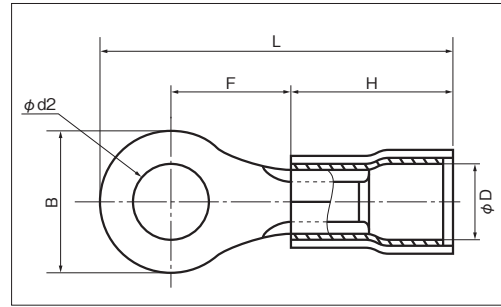
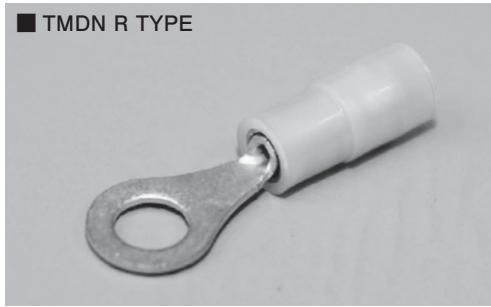
Non stock item

PART NUMBER	DIMENSIONS mm						WIRE RANGE		TOOL No.		STD COLOR	STD QTY/BOX
	φ d2	B	L	F	H	φ D	STRANDED mm ²	AWG	HAND TOOL No.			
									TOOL BODY No.	DIES No.		
TMEN 3.5-4 ○	4.3	8.0	26.0	8.0	14.0	6.3	2.63 ∩ 4.6	12	NH 13		YELLOW TRANSLUCENT	100
TMEN 3.5-5S ○	5.3	9.6	28.0	9.2								
TMEN 3.5-5L ○		12.0	29.4	9.4								
TMEN 3.5-6L ○	6.4											
TMEN 3.5-8 ○	8.4	13.5	33.5	12.75					NA 3	N3 13		
TMEN 5.5-3M ○	3.2	6.5	24.45	7.2	14.0	6.8	2.63 ∩ 6.64	12-10	NH 13		YELLOW TRANSLUCENT	100
TMEN 5.5-3N ○		7.0	24.7									
TMEN 5.5-3S ○		9.0	25.7									
TMEN 5.5-3.5N ○		3.7	7.0									
TMEN 5.5-3.5S ○	9.0		25.7									
TMEN 5.5-3.5 ○	4.3	9.5	27.0	8.25								
TMEN 5.5-4N ○		7.0	24.7	7.2								
TMEN 5.5-4S ○	9.0	25.7										
TMEN 5.5-4 (RBC 5.5-4) ●	5.3	9.5	27.0	8.25								
TMEN 5.5-5N ○		8.0	25.2	7.2								
TMEN 5.5-5S ○	9.0	25.7										
TMEN 5.5-5 (RBC 5.5-5) ●	6.4	9.5	27.0	8.25								
TMEN 5.5-6 (RBC 5.5-6) ●		12.0	30.5	10.5								
TMEN 5.5-8 (RBC 5.5-8) ●	8.4	15.0	35.5	14.0								
TMEN 5.5-10 (RBC 5.5-10) ●	10.5											
TMEN 5.5-12 ○	13.0	19.2	40.0	16.4	NA 10	NA 3	N10 13	N3 13			50	
TMEN 5.5-14 ○	15.0			18.0								

NOTE

- 1) ● : JIS/UL/CSA ○ : UL/CSA
- 2) Refer to page 37 for UL/CSA, insulator material/color, proper strip length of wire and Nylon insulated products.
- 3) JIS part No. is shown in parenthesis.

INSULATED RING TERMINALS WITH EXTRA COPPER SLEEVE (R TYPE) TMDN : Nylon



RoHS10
See page 2

Non stock item

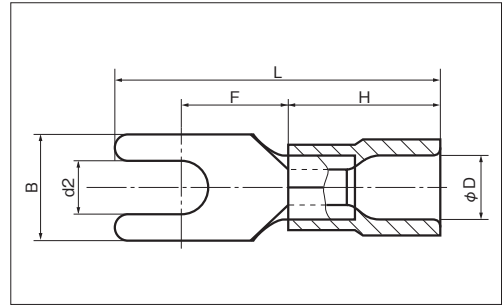
PART NUMBER	DIMENSIONS mm						WIRE RANGE		TOOL No.		STD COLOR	STD QTY/BOX
	$\phi d2$	B	L	F	H	ϕD	STRANDED mm ²	AWG	HAND TOOL No.	TOOL BODY No. DIES No.		
TMDN 0.3-2	2.2	5.2	17.5	4.9	10.0	2.9	0.2-0.5	24-20	NH 5 NH 32	YELLOW TRANSLUCENT	1,000 (100×10)	
TMDN 0.3-3	3.2											
TMDN 0.3-3N		19.8										
TMDN 0.3-3.5	3.7	6.6	20.5	7.2								
TMDN 0.3-4	4.3											
TMDN 0.3-5	5.3	8.0	21.0	7.0								

NOTE

- 1) ○ : UL/CSA
- 2) Refer to page 37 for UL/CSA, proper strip length of wire and Nylon insulated products.

INSULATED SPADE TERMINALS (Y TYPE) TMEV : Vinyl

■ TMEV Y TYPE



B

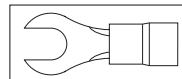
RoHS10

See page 2

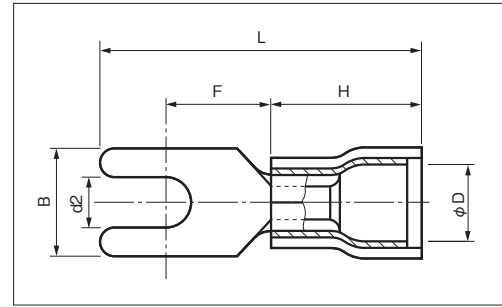
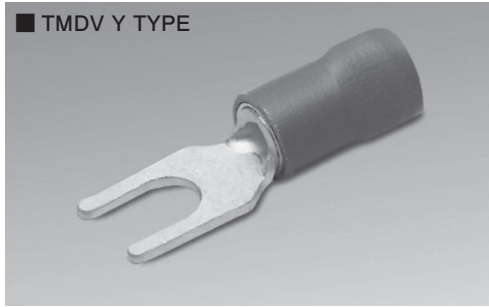
PART NUMBER	DIMENSIONS mm					WIRE RANGE		TOOL No.		STD COLOR	STD QTY/BOX								
	d2	B	L	F	H	φD	STRANDED mm ²	AWG	HAND TOOL No. TOOL BODY No. DIES No.										
TMEV 0.3Y-2	○	2.2	5.2	17.5	4.9	10.0	2.8	0.2-0.5 0.3-0.5 UL- CSA USE	24-20 22-20 UL- CSA USE	NH 5 NH 32	YELLOW	1,000 (100×10)							
TMEV 0.3Y-3	○	3.2		4.9															
TMEV 0.3Y-3.5N	○	3.7	5.8	20.5	5.8														
TMEV 0.3Y-4N	○	4.3	6.4	6.6															
TMEV 0.3Y-5	○	5.3	8.0	21.0	7.0														
TMEV 1.25Y-2.5	○	2.7	4.7	17.2	5.1	10.0	4.1	0.3 1.65	22-20	NH 11 NH 32	RED	1,000 (100×10)							
TMEV 1.25Y-3K	○	3.2	5.6	20.5	5.8														
TMEV 1.25Y-3S	○		5.7	17.4	4.8														
TMEV 1.25Y-3	○		5.8	20.5	5.8														
TMEV 1.25Y-3N	○	21.5		6.6															
TMEV 1.25Y-3.5K	○	3.7	5.6	20.5	5.8														
TMEV 1.25Y-3.5	○		5.8	6.8															
TMEV 1.25Y-3L	○		6.2	21.5	6.8														
TMEV 1.25Y-4N	○	4.3	6.4	21.9	6.6														
TMEV 1.25Y-4S	○		7.0	7.6															
TMEV 1.25Y-4M	○		8.1	7.5															
TMEV 1.25Y-4L	○	5.3	9.6	23.0	8.3														
TMEV 1.25Y-5	○		6.4	11.0	24.5								8.6						
TMEV 1.25Y-6	○	6.4	11.0	24.5	8.6														
TMEV 2Y-3	○	3.2	5.9	21.3	6.6								10.0	4.5	1.04 2.63	16-14	NH 12 NH 32	BLUE	1,000 (100×10)
TMEV 2Y-3.5S	○	3.7	5.8																
TMEV 2Y-3.5	○		6.4			7.6													
TMEV 2Y-3.5L	○		6.6																
TMEV 2Y-4N	○	4.3	7.0			21.5	7.0												
TMEV 2Y-4S	○		8.0	7.1															
TMEV 2Y-4	○		10.0	22.6	8.7														
TMEV 2Y-4M	○	5.3	8.0	21.5	7.1														
TMEV 2Y-5	○		10.0	22.6	8.7														
TMEV 2Y-5M	○		12.0	23.5	8.5														
TMEV 2Y-5L	○	25.5		8.6															
TMEV 2Y-6	○	6.4	12.0	25.5	8.6														
TMEV 2Y-8	○	8.4	14.0	27.5	11.5														
TMEV 3.5Y-4	○	4.3	8.0	26.0	7.2	14.0	6.3	2.63 4.6	12	NH 13 NA 10 NA 3	YELLOW	100							
TMEV 3.5Y-5	○	5.3	9.5	28.0	8.3														
TMEV 3.5Y-6	○	6.4	12.0	30.0	9.8														
TMEV 5.5Y-4S	○	4.3	8.4	25.7	7.2	14.0	6.8	2.63 6.64	12-10	NH 13 NA 10 NA 3	YELLOW	100							
TMEV 5.5Y-4	○		9.0																
TMEV 5.5Y-5	○		5.2										9.0						
TMEV 5.5Y-6	○	6.4	12.5	32.7	12.0														

NOTE

- : UL/CSA
- Refer to page 37 for UL/CSA, insulator material/color, proper strip length of wire.
- Tongue shape of 1.25Y-3S is shown on the right.
- Transparent and colored insulators are available for TMEV(Vinyl).



INSULATED SPADE TERMINALS WITH EXTRA COPPER SLEEVE (Y TYPE) TMDV : Vinyl



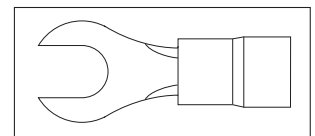
RoHS 6
See page 2

Non stock item

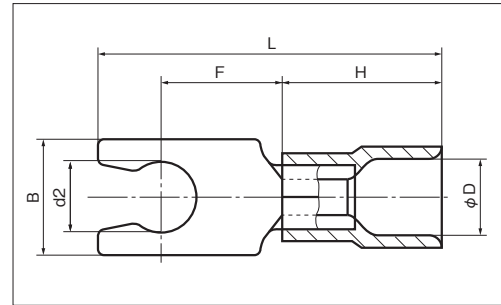
PART NUMBER	DIMENSIONS mm						WIRE RANGE		TOOL No.		STD COLOR	STD QTY/BOX						
	d2	B	L	F	H	φD	STRAINED mm ²	AWG	HAND TOOL No.									
									TOOL BODY No.	DIES No.								
TMDV 1.25Y-2.5 ○	2.7	4.7	17.2	5.1	10.0	4.0	0.3 } 1.65	22-16	NH 11 NH 32	RED	1,000 (100×10)							
TMDV 1.25Y-3K ○		5.6	20.5	5.8														
TMDV 1.25Y-3S ○	3.2	5.7	17.9	4.8														
TMDV 1.25Y-3 ○			5.8									5.8						
TMDV 1.25Y-3N ○		5.8		6.6														
TMDV 1.25Y-3.5K ○	3.7	5.6	20.5	5.8														
TMDV 1.25Y-3.5 ○				5.8									5.8					
TMDV 1.25Y-3L ○				6.2								21.5	6.8					
TMDV 1.25Y-4N ○	4.3	6.4	21.9	6.6														
TMDV 1.25Y-4S ○				7.0								7.6						
TMDV 1.25Y-4M ○				8.1								7.5						
TMDV 1.25Y-4L ○				9.6								23.0	8.3					
TMDV 1.25Y-5 ○	5.3	9.6	23.0	8.3														
TMDV 1.25Y-6 ○	6.4	11.0	24.5	8.6												NA 10	N10 21	
TMDV 2Y-3 ○	3.2	5.9	21.3	6.6	10.0	4.3	1.04 } 2.63	16-14	NH 12 NH 32	BLUE	1,000 (100×10)							
TMDV 2Y-3.5S ○		5.8																
TMDV 2Y-3.5 ○	3.7	6.4										7.6						
TMDV 2Y-3.5L ○												6.6						
TMDV 2Y-4N ○	4.3	7.0	21.5	7.0														
TMDV 2Y-4S ○			8.0	7.1														
TMDV 2Y-4 ○			10.0	22.6								8.7						
TMDV 2Y-4M ○			8.0	21.5								7.1						
TMDV 2Y-5 ○	5.3	10.0	22.6	8.7														
TMDV 2Y-5M ○			12.0	23.5								8.5						
TMDV 2Y-5L ○			6.4	12.0								25.5	8.6					
TMDV 2Y-6 ○	6.4	12.0	25.5	8.6														
TMDV 2Y-8 ○	8.4	14.0	27.5	11.5												NA 10	N10 22	
TMDV 5.5Y-4S ○	4.3	8.4	25.7	7.2								14.0	6.0	2.63 } 6.64	12-10	NH 13	YELLOW	100
TMDV 5.5Y-4 ○					9.0													
TMDV 5.5Y-5 ○	5.2	9.0																
TMDV 5.5Y-6 ○	6.4	12.5	32.7	12.0					NA 10	N10 23								

NOTE

- : UL/CSA
- Refer to page 37 for UL/CSA, proper strip length of wire and Nylon insulated products.
- TMDEN Type is also available, see page 38.
- Tongue shape of 1.25Y-3S is shown on the right.



INSULATED SPADE TERMINALS (Y TYPE) TMEV : Vinyl



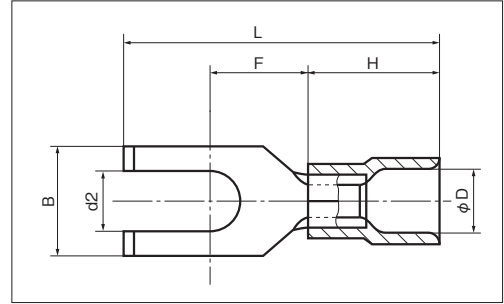
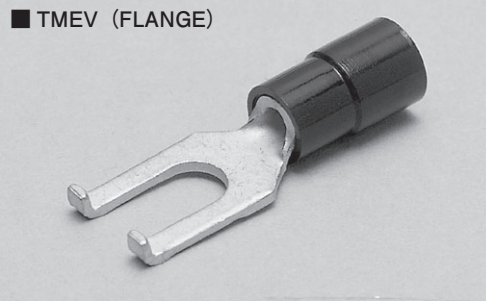
RoHS10
See page 2

PART NUMBER	DIMENSIONS mm						WIRE RANGE		TOOL No.		STD COLOR	STD QTY/BOX
	d2	B	L	F	H	φD	STRANDED mm ²	AWG	HAND TOOL No.	DIES No.		
TMEV 1.25LY-3S ○	3.2	6.4	19.5	6.6	10.0	4.1	0.3 }	22-16	NH 11		RED	1,000 (100×10)
TMEV 1.25LY-3.5S ○	3.7								NH 32			
TMEV 1.25LY-4S ○	4.3								NA 10	N10 11		
TMEV 1.25LY-5S ○	5.3	8.4	22.5	8.5					NA 3	N3 11		
TMEV 2LY-3S ○	3.2	6.4	19.5	6.6	10.0	4.5	1.04 }	16-14	NH 12		BLUE	1,000 (100×10)
TMEV 2LY-3.5S ○	3.7								NH 32			
TMEV 2LY-4S ○	4.3								NA 10	N10 12		
TMEV 2LY-5S ○	5.3	8.4	22.5	8.5					NA 3	N3 12		
TMEV 5.5LY-3.5S ○	3.7	7.9	25.7	7.6	14.0	6.8	2.63 }	12-10	NH 13		YELLOW	100
TMEV 5.5LY-4S ○	4.3								NH 13			
TMEV 5.5LY-5S ○	5.3								NA 3	N3 13		

NOTE

- : UL/CSA
- Refer to page 37 for UL/CSA, insulator material/color, proper strip length of wire and Nylon insulated products.
- TMD & TMDEN Type are also available, see page 38.
- Transparents and colored insulators are available for TMEV(Vinyl).

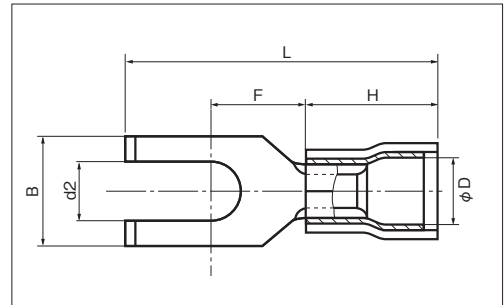
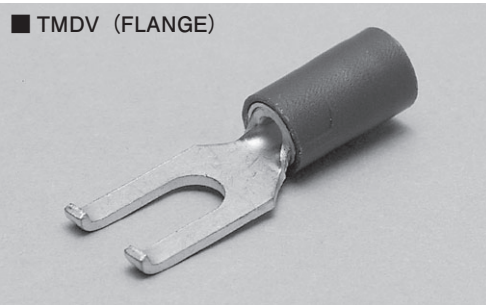
INSULATED SPADE TERMINALS (Y TYPE) TMEV : Vinyl



RoHS 10
See page 2

B

PART NUMBER		DIMENSIONS mm						WIRE RANGE		TOOL No.		STD COLOR	STD QTY/BOX
		d2	B	L	F	H	φD	STRANDED mm ²	AWG	HAND TOOL No.	TOOL BODY No. DIES No.		
TMEV	1.25Y-3W ○	3.7	7.7	19.5	5.6	10.0	4.1	0.3~1.65	22-16	NH 11	NA 10 N10 11	RED	1,000 (100×10)
	1.25Y-4W ○	4.3								NH 32			
	1.25Y-5W ○	5.3								NA 3 N3 11			
TMEV	2Y-3W ○	3.7	8.0	24.0	7.3	10.0	4.5	1.04 ∫ 2.63	16-14	NH 12	NA 10 N10 12	BLUE	1,000 (100×10)
	2Y-4W ○	4.3								NH 32			
	2Y-5W ○	5.3								NA 3 N3 12			



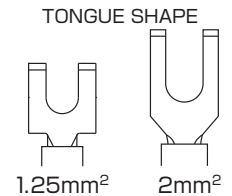
RoHS 6
See page 2

Non stock item

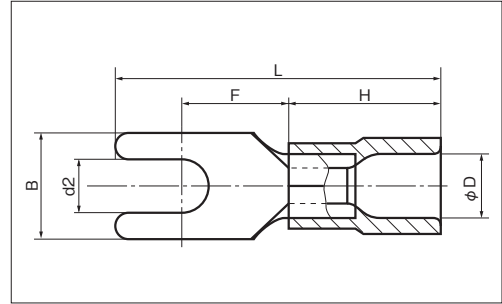
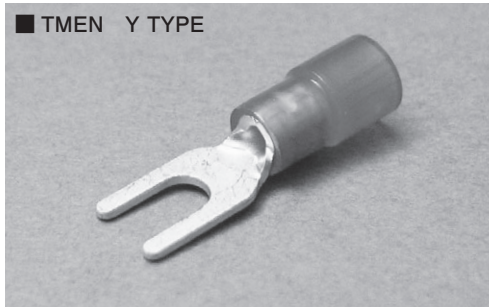
PART NUMBER		DIMENSIONS mm						WIRE RANGE		TOOL No.		STD COLOR	STD QTY/BOX
		d2	B	L	F	H	φD	STRANDED mm ²	AWG	HAND TOOL No.	TOOL BODY No. DIES No.		
TMDV	1.25Y-3W ○	3.7	7.7	19.5	5.6	10.0	4.0	0.3 ∫ 1.65	22-16	NH 11	NA10 N10 21	RED	1,000 (100×10)
	1.25Y-4W ○	4.3								NH 32			
	1.25Y-5W ○	5.3								NA10 N10 21			
TMDV	2Y-3W ○	3.7	8.0	24.0	7.3	10.0	4.3	1.04 ∫ 2.63	16-14	NH 12	NA10 N10 22	BLUE	1,000 (100×10)
	2Y-4W ○	4.3								NH 32			
	2Y-5W ○	5.4								NA10 N10 22			

NOTE

- : UL/CSA
- Refer to page 37 for UL/CSA, insulator material/color, proper strip length of wire.
- TMDEN Type is also available, see page 38.
- Transparent and colored insulators are available for TMEV(Vinyl).



INSULATED SPADE TERMINALS (Y TYPE) TMEN : Nylon



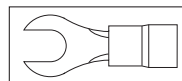
RoHS10 See page 2
RoHS10 Yellow Nylon See page 2

Non stock item

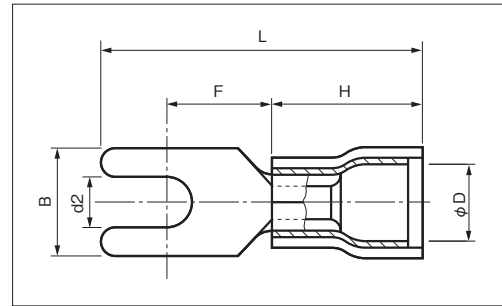
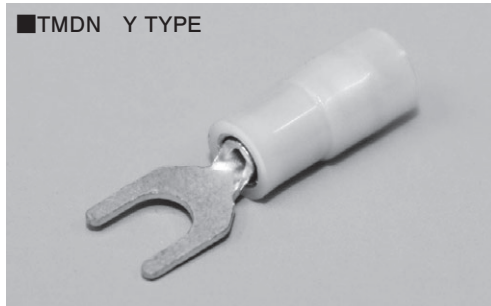
PART NUMBER	DIMENSIONS mm						WIRE RANGE		TOOL No.		STD COLOR	STD QTY/BOX								
	d2	B	L	F	H	φD	STRANDED mm ²	AWG	HAND TOOL No.											
									TOOL BODY No.	DIES No.										
TMEN 0.3Y-2 ○	2.2	5.2	17.5	4.9	10.0	2.8	0.2-0.5 0.3-0.5 UL-CSA USE	24-20 22-20 UL-CSA USE	NH 5 NH 32		YELLOW TRANSLUCENT	1,000 (100×10)								
TMEN 0.3Y-3 ○	3.2																			
TMEN 0.3Y-3.5N ○	3.7								20.5	5.8										
TMEN 0.3Y-4N ○	4.3									6.6										
TMEN 0.3Y-5 ○	5.3								8.0	21.0			7.0							
TMEN 1.25Y-2.5 ○	2.7	4.7	17.2	5.1	10.0	4.1	0.3 ∩ 1.65	22-16	NH 11 NH 32		RED TRANSLUCENT	1,000 (100×10)								
TMEN 1.25Y-3K ○	3.2	5.6	20.5	5.8																
TMEN 1.25Y-3S ○		5.7	17.4	4.8																
TMEN 1.25Y-3 ○		5.8	20.5	5.8																
TMEN 1.25Y-3N ○	21.5		6.6																	
TMEN 1.25Y-3.5K ○	3.7	5.6	20.5	5.8																
TMEN 1.25Y-3.5 ○		5.8											21.5	6.8						
TMEN 1.25Y-3L ○		6.2																		
TMEN 1.25Y-4N ○	4.3	6.4	21.9	6.6																
TMEN 1.25Y-4S ○		7.0		7.6																
TMEN 1.25Y-4M ○		8.1		7.5																
TMEN 1.25Y-4L ○		9.6		23.0									8.3							
TMEN 1.25Y-5 ○	5.3																			
TMEN 1.25Y-6 ○	6.4	11.0	24.5	8.6									NA 10 NA 3	N10 11 N3 11						
TMEN 2Y-3 ○	3.2	5.9	21.3	6.6									10.0	4.5	1.04 ∩ 2.63	16-14	NH 12 NH 32		BLUE TRANSLUCENT	1,000 (100×10)
TMEN 2Y-3.5S ○	3.7	5.8																		
TMEN 2Y-3.5 ○		6.4			7.6															
TMEN 2Y-3.5L ○					6.6															
TMEN 2Y-4N ○	4.3	7.0			21.5	7.0														
TMEN 2Y-4S ○		8.0	7.1																	
TMEN 2Y-4 ○		10.0	8.7																	
TMEN 2Y-4M ○		5.3	8.0	21.5		7.1														
TMEN 2Y-5 ○	10.0		8.7																	
TMEN 2Y-5M ○	12.0		23.5		8.5															
TMEN 2Y-5L ○		25.5	8.6																	
TMEN 2Y-6 ○	6.4	14.0	27.5	11.5	NA 10 NA 3	N10 12 N3 12														
TMEN 3.5Y-4 ○	4.3	8.0	26.0	7.2	14.0	6.3	2.63 ∩ 4.6	12	NH 13		YELLOW TRANSLUCENT	100								
TMEN 3.5Y-5 ○	5.3	9.5	28.0	8.3																
TMEN 3.5Y-6 ○	6.4	12.0	30.0	9.8																
TMEN 5.5Y-4S ○	4.3	8.4	25.7	7.2	14.0	6.8	2.63 ∩ 6.64	12-10	NH 13		YELLOW TRANSLUCENT	100								
TMEN 5.5Y-4 ○		9.0																		
TMEN 5.5Y-5 ○		5.2							9.0											
TMEN 5.5Y-6 ○	6.4	12.5	32.7	12.0					NA 10 NA 3	N10 13 N3 13										

NOTE

- : UL/CSA INSULATOR MATERIAL
- Refer to page 37 for UL/CSA, insulator material/color, proper strip length of wire and Nylon insulated products.
- Tongue shape of 1.25Y-3S is shown on the right.
- Transparent and colored insulators are available for TMEV(Vinyl).



INSULATED SPADE TERMINALS WITH EXTRA COPPER SLEEVE (Y TYPE) TMDN : Nylon



RoHS10
See page 2

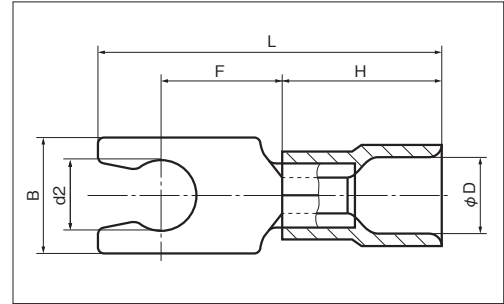
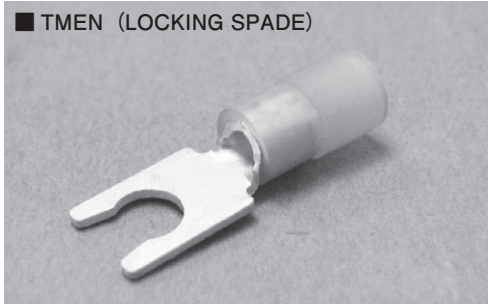
Non stock item

PART NUMBER	DIMENSIONS mm						WIRE RANGE		TOOL No.		STD COLOR	STD QTY/BOX
	d2	B	L	F	H	φD	STRANDED mm ²	AWG	HAND TOOL No. TOOL BODY No. DIES No.			
TMDN 0.3Y-2	2.2	5.2	17.5	4.9	10.0	2.9	0.2~0.5	24-20	NH 5 NH 32	YELLOW TRANSLUCENT	1,000	
TMDN 0.3Y-3	3.2											
TMDN 0.3Y-3.5N	3.7	5.8	20.5	5.8								
TMDN 0.3Y-4N	4.3											6.4
TMDN 0.3Y-5	5.3	8.0	21.0	7.0								

NOTE

1) Refer to page 37 for UL/CSA, proper strip length of wire and Nylon insulated products.

INSULATED SPADE TERMINALS (Y TYPE) TMEN : Nylon

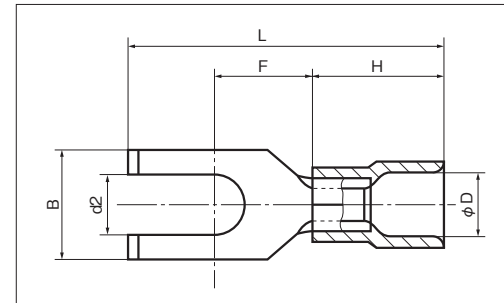
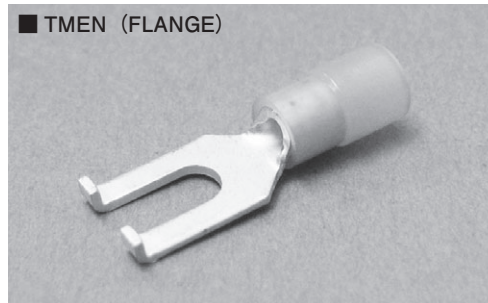


RoHS 10
See page 2

RoHS 10
Yellow Nylon
See page 2

Non stock item

PART NUMBER	DIMENSIONS mm						WIRE RANGE		TOOL No.		STD COLOR	STD QTY/BOX
	d2	B	L	F	H	φD	STRAINED mm ²	AWG	HAND TOOL No.	TOOL BODY No.		
TMEN 1.25LY-3S ○	3.2	6.4	19.5	6.6	10.0	4.1	0.3 }	22-16	NH 11		RED TRANSLUCENT	1,000 (100×10)
TMEN 1.25LY-3.5S ○	3.7								NH 32			
TMEN 1.25LY-4S ○	4.3								NA 10	N10 11		
TMEN 1.25LY-5S ○	5.3	8.4	22.5	8.5					NA 3	N3 11		
TMEN 2LY-3S ○	3.2	6.4	19.5	6.6	10.0	4.5	1.04 }	16-14	NH 12		BLUE TRANSLUCENT	1,000 (100×10)
TMEN 2LY-3.5S ○	3.7								NH 32			
TMEN 2LY-4S ○	4.3								NA 10	N10 12		
TMEN 2LY-5S ○	5.3	8.4	22.5	8.5					NA 3	N3 12		
TMEN 5.5LY-3.5S ○	3.7	7.9	25.7	7.6	14.0	6.8	2.63 }	12-10	NH 13		YELLOW TRANSLUCENT	100
TMEN 5.5LY-4S ○	4.3								NH 13			
TMEN 5.5LY-5S ○	5.3								NA 3	N3 13		



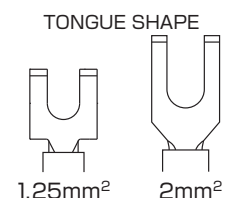
RoHS 10
See page 2

Non stock item

PART NUMBER	DIMENSIONS mm						WIRE RANGE		TOOL No.		STD COLOR	STD QTY/BOX
	d2	B	L	F	H	φD	STRAINED mm ²	AWG	HAND TOOL No.	TOOL BODY No.		
TMEN 1.25Y-3W ○	3.7	7.7	19.5	5.6	10.0	4.1	0.3 }	22-16	NH 11		RED TRANSLUCENT	1,000 (100×10)
TMEN 1.25Y-4W ○	4.3								NH 32			
TMEN 1.25Y-5W ○	5.3								NA 10	N10 11		
TMEN 2Y-3W ○	3.7	8.0	24.0	7.3	10.0	4.5	1.04 }	16-14	NH 12		BLUE TRANSLUCENT	1,000 (100×10)
TMEN 2Y-4W ○	4.3								NH 32			
TMEN 2Y-5W ○	5.3								NA 10	N10 12		

NOTE

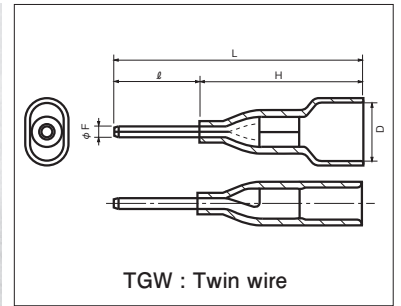
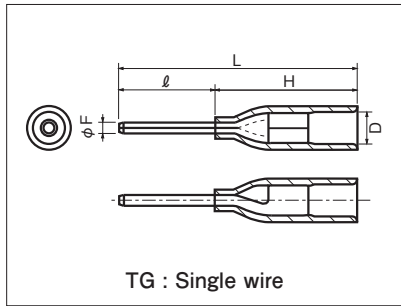
- : UL/CSA
- Refer to page 37 for UL/CSA, insulator material/color, proper strip length of wire and Nylon insulated products.
- TMDEN Types are also available, see page 38.



INSULATED PIN TERMINALS (TC TYPE)

TGV
TGWV : Vinyl
TMEV

■ TGT Pin is in line with the center of the barrel.



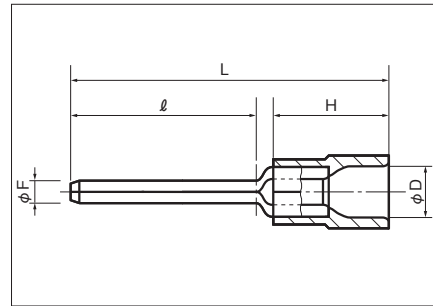
RoHS 10

See page 2

Rated voltage 300V Rated current 17A

PART NUMBER	DIMENSIONS mm					WIRE RANGE		TOOL No.		STD COLOR	STD QTY/BOX	
	ϕF	ℓ	L	H	ϕD	STRANDED mm ²	AWG	HAND TOOL No.	DIES No.			
TGV TC-1.25-9T	1.1	9.0	25.0	16.0	$\phi 3.6$	0.3~1.65	22-16	(NH 11/NH 32) NH 65A		RED/TRANSCULENT	100	
TGV TC-1.25-11T		11.0	27.0					NA 3 N3 11T NA 10 N10 11	100 1,000			
TGWV TC-1.25-9T		9.0	26.6	17.6				6.6	NH 65A		100	
TGWV TC-1.25-11T		11.0	28.6									

■ TMEV TC TYPE



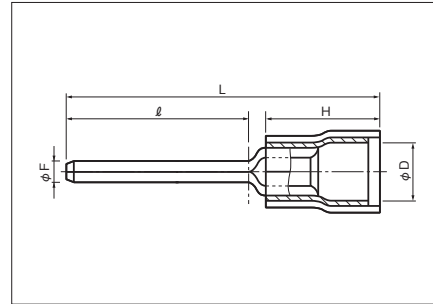
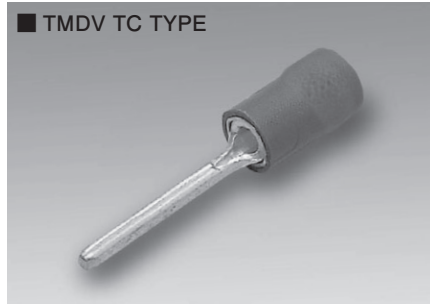
RoHS 10

See page 2

PART NUMBER	DIMENSIONS mm					WIRE RANGE		TOOL No.		STD COLOR	STD QTY/BOX
	ϕF	ℓ	L	H	ϕD	STRANDED mm ²	AWG	HAND TOOL No.	DIES No.		
TMEV TC-0.3-9.5 ○	1.0	9.5	20.8	10.0	2.8	0.2-0.5 0.3-0.5 UL·CSA USE	24-20 22-20 UL·CSA USE	NH 5 NH 32 NA 10 N10 10 NA 3 N3 5	YELLOW	1,000 (100×10)	
TMEV TC-1.25-11 ○	1.9	11.0	23.0	10.0	4.1	0.3 ∩ 1.65	22-16	NH 11 NH 32	RED	1,000 (100×10)	
TMEV TC-1.25-11S ○	1.5										
TMEV TC-1.25-16 ○	1.9										
TMEV TC-1.25-16S ○	1.5										
TMEV TC-1.25-20 ○	1.9										
TMEV TC-1.25-20S ○	1.5										
TMEV TC-2-11 ○	1.9	11.0	23.0	10.0	4.5	1.04 ∩ 2.63	16-14	NH 12 NH 32	BLUE	1,000 (100×10)	
TMEV TC-2-11S ○	1.5										
TMEV TC-2-16 ○	1.9										
TMEV TC-2-16S ○	1.5										
TMEV TC-2-20 ○	1.9										
TMEV TC-2-20S ○	1.5										
TMEV TC-3.5-11S ○	1.9	11.0	29.0	14.0	6.3	2.63 ∩ 4.6	12	NH 13 NA 10 N10 13 NA 3 N3 13	YELLOW	100	
TMEV TC-5.5-11 ○	2.7	11.0	28.5	14.0	6.8	2.63 ∩ 6.64	12-10	NH 13 NA 10 N10 13 NA 3 N3 13	YELLOW	100	

NOTE 1) ○ : UL/CSA

- Please refer to page 37 for UL/CSA, insulator material/color, proper strip length of wire.
- Transparents and colored insulators are available for TMEV(Vinyl).



B

RoHS 6
See page 2

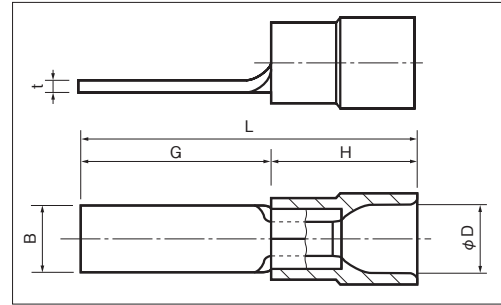
Non stock item

PART NUMBER	DIMENSIONS mm					WIRE RANGE		TOOL No.		STD COLOR	STD QTY/BOX
	φF	l	L	H	φD	STRANDED mm ²	AWG	HAND TOOL No.			
								TOOL BODY No.	DIES No.		
TMDV TC-1.25-11 ○	1.9	11.0	23.0	10.0	4.0	0.3 } 1.65	22-16	NH 11 NH 32	NA 10 N10 21	RED	1,000 (100×10)
TMDV TC-1.25-11S ○	1.5										
TMDV TC-1.25-16 ○	1.9	16.0	27.5								
TMDV TC-1.25-16S ○	1.5										
TMDV TC-1.25-20 ○	1.9	20.0	31.5								
TMDV TC-1.25-20S ○	1.5										
TMDV TC-2-11 ○	1.9	11.0	23.0	10.0	4.3	1.04 } 2.63	16-14	NH 12 NH 32	NA 10 N10 22	BLUE	1,000 (100×10)
TMDV TC-2-11S ○	1.5										
TMDV TC-2-16 ○	1.9	16.0	27.5								
TMDV TC-2-16S ○	1.5										
TMDV TC-2-20 ○	1.9	20.0	31.5								
TMDV TC-2-20S ○	1.5										
TMDV TC-5.5-11 ○	2.7	11.0	28.5	14.0	6.0	2.63 } 6.64	12-10	NH 13 NA 10 N10 23	YELLOW	100	

NOTE 1) ○ : UL/CSA

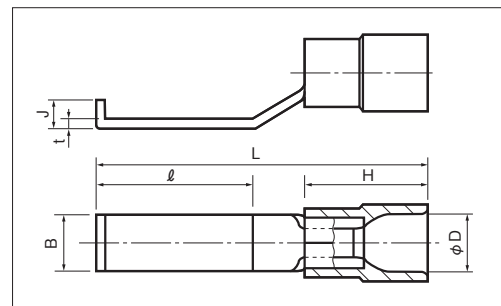
- 2) Refer to page 37 for UL/CSA, insulator material/color, proper strip length of wire and Nylon insulated products.
- 3) TMDEN Types are also available, see page 38.

INSULATED BLADE TERMINALS (BT TYPE) TMEV : Vinyl



RoHS 10
See page 2

PART NUMBER	DIMENSIONS mm						WIRE RANGE		TOOL No.		STD COLOR	STD QTY/BOX	
	B	t	L	G	H	φD	STRANDED mm ²	AWG	HAND TOOL No.				
									TOOL BODY No.	DIES No.			
TMEV BT-1.25-9-1 ○	2.2	0.75	19.0	9.0	10.0	4.1	0.3 ∩ 1.65	22-16	NH 11 NH 32	NA 10 NA 3	N10 11 N3 11	RED	1,000 (100×10)
TMEV BT-1.25-9 ○	2.8		19.1	9.1									
TMEV BT-1.25-10-1 ○	2.2		20.5	10.5									
TMEV BT-1.25-10 ○	3.4		20.3	10.3									
TMEV BT-1.25-11 ○	3.0		21.2	11.2									
TMEV BT-1.25-13	3.4		23.0	13.0									
TMEV BT-1.25-14 ○	3.0		24.6	14.6									
TMEV BT-1.25-18 ○	2.2	28.5	18.5										
TMEV BT-2-9-1 ○	2.2	0.85	19.0	9.0	10.0	4.5	1.04 ∩ 2.63	16-14	NH 12 NH 32	NA 10 NA 3	N10 12 N3 12	BLUE	1,000 (100×10)
TMEV BT-2-9 ○	2.8		19.1	9.1									
TMEV BT-2-13 ○	4.6		23.0	13.0									
TMEV BT-2-18 ○	2.2		28.5	18.5									
TMEV BT-5.5-10 ○	2.8	0.95	24.0	10.0	14.0	6.8	2.63 ∩ 6.64	12-10	NH 13	NA 10 NA 3	N10 13 N3 13	YELLOW	100
TMEV BT-5.5-13 ○	4.5		27.0	13.0									
TMEV BT-5.5-18 ○	4.5		32.0	18.0									



RoHS 10
See page 2

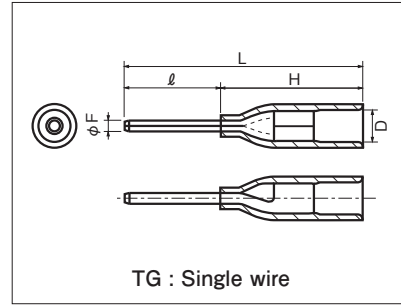
PART NUMBER	DIMENSIONS mm							WIRE RANGE		TOOL No.		STD COLOR	STD QTY/BOX	
	B	t	ℓ	L	J	H	φD	STRANDED mm ²	AWG	HAND TOOL No.				
										TOOL BODY No.	DIES No.			
TMEV BT-1.25-17 ○	3.0	0.75	12.7	27.0	2.25	10.0	4.1	0.3 ∩ 1.65	22-16	NH 11 NH 32	NA 10 NA 3	N10 11 N3 11	RED	1,000 (100×10)
TMEV BT-1.25-17-1 ○	4.6				2.30									
TMEV BT-2-17 ○	3.0	0.85		27.0	2.30	10.0	4.5	1.04 ∩ 2.63	16-14	NH 12 NH 32	NA 10 NA 3	N10 12 N3 12	BLUE	1,000 (100×10)
TMEV BT-2-17-1 ○	4.6				2.45									
TMEV BT-5.5-17-1 ○	4.6	0.95	31.0	2.45	14.0	6.8	2.63 ∩ 6.64	12-10	NH 13	NA 10 NA 3	N10 13 N3 13	YELLOW	100	

- NOTE 1) ○ : UL/CSA
 2) Refer to page 37 for UL/CSA, insulator material/color, proper strip length of wire and Nylon insulated products.
 3) TMD & TMDEN Type are also available, see page 38.
 4) Transparent and colored insulators are available for TMEV(Vinyl).

INSULATED PIN TERMINALS (TC TYPE) **TMEN** : Nylon

TGN : Nylon

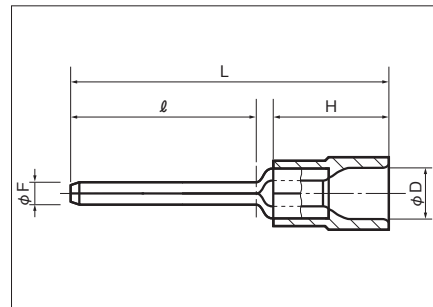
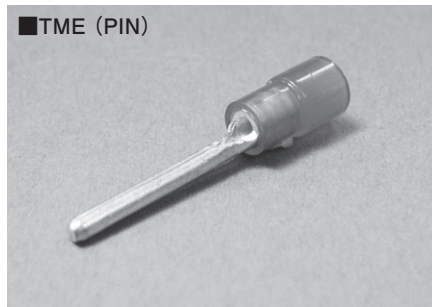
■ TGT Pin is in line with the center of the barrel.



RoHS10
See page 2

Rated voltage 300V Rated current 17A

PART NUMBER	DIMENSIONS mm					WIRE RANGE		TOOL No.		STD COLOR	STD QTY/BOX
	φF	ℓ	L	H	D	STRANDED mm ²	AWG	HAND TOOL No.	TOOL BODY No.		
TGN TC-1.25-9T	1.1	9.0	25.0	16.0	φ3.6	0.3~1.65	22-16	(NH 11 / NH 32) NH 65A		TRANSPARENT	1,000 (100×10)
TGN TC-1.25-11T		11.0	27.0					NA 3 NA 10	N3 11T N10 11		



RoHS10
See page 2

RoHS10
Yellow Nylon
See page 2

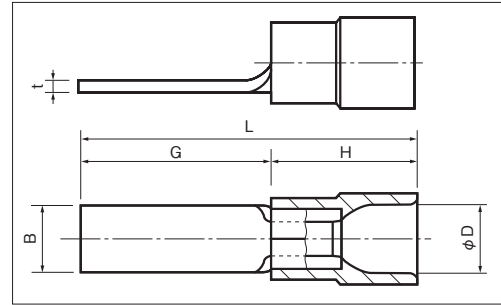
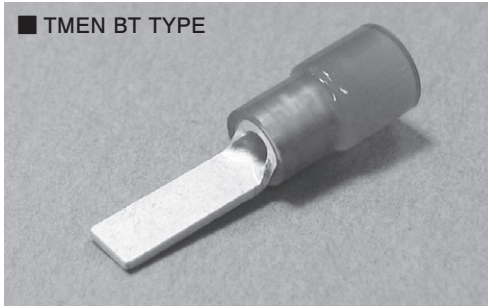
Non stock item

PART NUMBER	DIMENSIONS mm					WIRE RANGE		TOOL No.		STD COLOR	STD QTY/BOX	
	φF	ℓ	L	H	φD	STRANDED mm ²	AWG	HAND TOOL No.	TOOL BODY No.			DIES No.
TMEN TC-0.3-9.5 ○	1.0	9.5	20.8	10.0	2.8	0.2-0.5 0.3-0.5 UL·CSA USE	24-20 22-20 UL·CSA USE	NH 5 NH 32	NA 10 NA 3	N10 10 N3 5	YELLOW TRANSLUCENT	1,000 (100×10)
TMEN TC-1.25-11 ○	1.9	11.0	23.0	10.0	4.1	0.3 1.65	22-16	NH 11 NH 32	NA 10 NA 3	N10 11 N3 11	RED TRANSLUCENT	1,000 (100×10)
TMEN TC-1.25-11S ○	1.5											
TMEN TC-1.25-16 ○	1.9											
TMEN TC-1.25-16S ○	1.5											
TMEN TC-1.25-20 ○	1.9											
TMEN TC-1.25-20S ○	1.5											
TMEN TC-2-11 ○	1.9	11.0	23.0	10.0	4.5	1.04 2.63	16-14	NH 12 NH 32	NA 10 NA 3	N10 12 N3 12	BLUE TRANSLUCENT	1,000 (100×10)
TMEN TC-2-11S ○	1.5											
TMEN TC-2-16 ○	1.9											
TMEN TC-2-16S ○	1.5											
TMEN TC-2-20 ○	1.9											
TMEN TC-2-20S ○	1.5											
TMEN TC-3.5-11S ○	1.9	11.0	29.0	14.0	6.3	2.63 4.6	12	NH 13	NA 10 NA 3	N10 13 N3 13	YELLOW TRANSLUCENT	100
TMEN TC-5.5-11 ○	2.7	11.0	28.5	14.0	6.8	2.63 6.64	12-10	NH 13	NA 10 NA 3	N10 13 N3 13	YELLOW TRANSLUCENT	100

NOTE 1) ○ : UL/CSA △ : UL

2) Please refer to page 37 for UL/CSA, insulator material/color, proper strip length of wire and Nylon insulated products.

INSULATED BLADE TERMINALS (BT TYPE) TMEN : Nylon

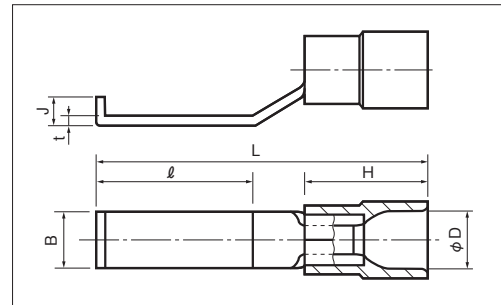
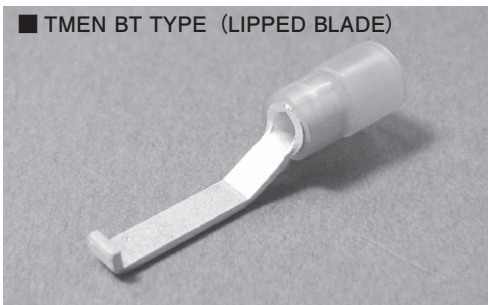


RoHS 10
See page 2

RoHS 10
Yellow Nylon
See page 2

Non stock item

PART NUMBER	DIMENSIONS mm						WIRE RANGE		TOOL No.		STD COLOR	STD QTY/BOX
	B	t	L	G	H	φD	STRANDED mm ²	AWG	HAND TOOL No.			
									TOOL BODY No.	DIES No.		
TMEN BT-1.25-9-1 ○	2.2	0.75	19.0	9.0	10.0	4.1	0.3 ∩ 1.65	22-16	NH 11 NH 32	RED TRANSLUCENT	1,000 (100×10)	
TMEN BT-1.25-9 ○	2.8		19.1	9.1								
TMEN BT-1.25-10-1 ○	2.2		20.5	10.5								
TMEN BT-1.25-10 ○	3.4		20.3	10.3								
TMEN BT-1.25-11 ○	3.0		21.2	11.2								
TMEN BT-1.25-13 ○	3.4		23.0	13.0								
TMEN BT-1.25-14 ○	3.0		24.6	14.6								
TMEN BT-1.25-18 ○	2.2		28.5	18.5								
TMEN BT-2-9-1 ○	2.2	0.85	19.0	9.0	10.0	4.5	1.04 ∩ 2.63	16-14	NH 12 NH 32	BLUE TRANSLUCENT	1,000 (100×10)	
TMEN BT-2-9 ○	2.8		19.1	9.1								
TMEN BT-2-13 ○	4.6		23.0	13.0								
TMEN BT-2-18 ○	2.2		28.5	18.5								
TMEN BT-5.5-10 ○	2.8	0.95	24.0	10.0	14.0	6.8	2.63 ∩ 6.64	12-10	NH 13	YELLOW TRANSLUCENT	100	
TMEN BT-5.5-13 ○	4.5		27.0	13.0								
TMEN BT-5.5-18 ○			32.0	18.0								



RoHS 10
See page 2

RoHS 10
Yellow Nylon
See page 2

Non stock item

PART NUMBER	DIMENSIONS mm							WIRE RANGE		TOOL No.		STD COLOR	STD QTY/BOX
	B	t	ℓ	L	J	H	φD	STRANDED mm ²	AWG	HAND TOOL No.			
										TOOL BODY No.	DIES No.		
TMEN BT-1.25-17 ○	3.0	0.75	12.7	27.0	2.25	10.0	4.1	0.3 ∩ 1.65	22-16	NH 11 NH 32	RED TRANSLUCENT	1,000 (100×10)	
TMEN BT-1.25-17-1 ○	4.6												NA 10 NA 3
TMEN BT-2-17 ○	3.0	0.85		27.0	2.30	4.5	1.04 ∩ 2.63	16-14	NH 12 NH 32	BLUE TRANSLUCENT	1,000 (100×10)		
TMEN BT-2-17-1 ○	4.6											NA 10 NA 3	N10 12 N3 12
TMEN BT-5.5-17-1 ○	4.6	0.95	31.0	2.45	14.0	6.8	2.63 ∩ 6.64	12-10	NH 13	YELLOW TRANSLUCENT	100		

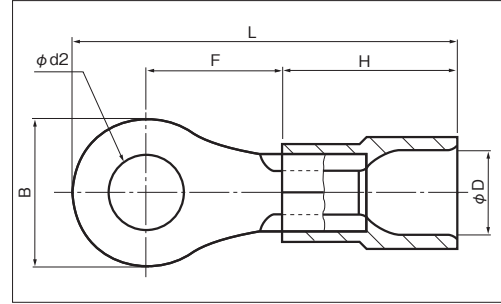
NOTE 1) ○ : UL/CSA

2) Refer to page 37 for UL/CSA, insulator material/color, proper strip length of wire and Nylon insulated products.

3) TMD & TMDEN Type are also available, see page 38.

ENVIRONMENTALLY FRIENDLY INSULATED TERMINALS (R TYPE)

■ TMEX R TYPE



B

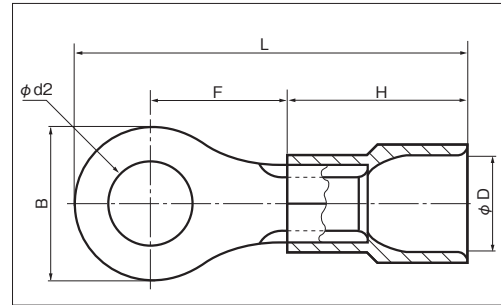
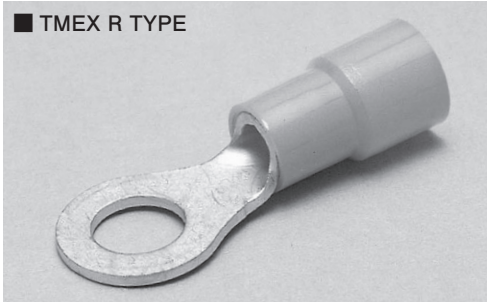
RoHS10
See page 2

PART NUMBER	DIMENSIONS mm						WIRE RANGE		TOOL No.		STD COLOR	STD QTY/BOX							
	φ d2	B	L	F	H	φ D	STRANDED mm ²	AWG	HAND TOOL No.	DIES No.									
TMEX 0.3-2	○	2.2	5.2	17.5	4.9	10.0	2.8	0.2-0.5	24-20	NH 5 NH 32	YELLOW	1,000 (100×10)							
TMEX 0.3-3	○	3.2		17.5	4.9														
TMEX 0.3-3N	○	3.2	19.8	7.2															
TMEX 0.3-3.5	○	3.7	6.6	20.5	7.2														
TMEX 0.3-4	○	4.3																	
TMEX 0.3-5	○	5.3	8.0	21.0	7.0	NA 10 NA 3	N10 10 N3 5												
TMEX 1.25-2	○	2.2	5.5	17.5	4.75	10.0	4.1	0.3 ∩ 1.65	22-16	NH 11 NH 32	RED	1,000 (100×10)							
TMEX 1.25-2S	○	2.2	5.7	17.4	4.55														
TMEX 1.25-3	○	3.2	5.5	17.5	4.75														
TMEX 1.25-3N	○		5.6	20.4	7.6														
TMEX 1.25-3S	○	3.2	5.7	17.4	4.55														
TMEX 1.25-3.5N	○	3.7	5.6	20.4	7.6														
TMEX 1.25-3.5S	○		5.7	17.4	4.55														
TMEX 1.25-3.5	○		6.6	18.8	5.5														
TMEX 1.25-3.5M	○	3.7	6.8	19.4	6.0														
TMEX 1.25-3.5L	○		8.0	21.1	7.1														
TMEX 1.25-4M	○	4.3	6.8	19.4	6.0														
TMEX 1.25-4	○	4.3	8.0	21.1	7.1														
TMEX 1.25-5	○												5.3						
TMEX 1.25-6	○	6.4	12.0	25.7	9.7														
TMEX 1.25-8	○	8.4																	
TMEX 1.25-10	○	10.5											16.5	30.5	12.25	NA 10 NA 3	N10 11 N3 11	(50×10)	
TMEX 2-2	○	2.2	6.5	18.2	4.95								10.0	4.5	1.04 ∩ 2.63	16-14	NH 12 NH 32	BLUE	1,000 (100×10)
TMEX 2-3N	○	3.2	5.6	20.4	7.6														
TMEX 2-3S	○		5.7	17.8	4.95														
TMEX 2-3	○	3.2	6.5	18.2	4.95														
TMEX 2-3.5N	○	3.7	5.6	20.4	7.6														
TMEX 2-3.5NS	○		6.5	18.2	4.95														
TMEX 2-3.5	○		6.6	19.9	6.6														
TMEX 2-3.5S	○	3.7	6.6	20.9	7.6														
TMEX 2-3.5M	○	3.7	8.0	21.5	7.5														
TMEX 2-4S	○		6.6	19.9	6.6														
TMEX 2-4M	○	4.3	8.0	21.5	7.5														
TMEX 2-4	○	4.3	8.5	22.0	7.75														
TMEX 2-5M	○		8.0	21.5	7.5														
TMEX 2-5	○		5.3	9.5	22.5	7.75													
TMEX 2-6	○	6.4	12.0	27.0	11.0														
TMEX 2-8	○	8.4																	
TMEX 2-10	○	10.5	15.0	30.0	12.5	NA 10 NA 3	N10 12 N3 12	500 (50×10)											
TMEX 2-12	○	13.0	19.0	34.0	14.5														

NOTE

- 1) ○ : UL · C-UL
- 2) Please refer to page 37 for proper strip length of wire
- 3) Transparent insulator is also available.

ENVIRONMENTALLY FRIENDLY INSULATED TERMINALS (R TYPE)



RoHS10
See page 2

B

PART NUMBER	DIMENSIONS mm					WIRE RANGE		TOOL No.		STD COLOR	STD QTY/BOX
	$\phi d2$	B	L	F	H	ϕD	STRANDED mm ²	AWG	HAND TOOL No.		
TME 5.5-3M ○	3.2	6.5	24.45	7.2	14.0	6.8	2.63 } 6.64	12-10	NH 13	YELLOW	50
TME 5.5-3N ○		7.0	24.7								
TME 5.5-3S ○		9.0	25.7								
TME 5.5-3.5N ○	3.7	7.0	24.7								
TME 5.5-3.5S ○		9.0	25.7								
TME 5.5-3.5 ○		9.5	27.0	8.25							
TME 5.5-4N ○	4.3	7.0	24.7	7.2							
TME 5.5-4S ○		9.0	25.7								
TME 5.5-4 ○		9.5	27.0								
TME 5.5-5N ○	5.3	8.0	25.2	7.2							
TME 5.5-5S ○		9.0	25.7								
TME 5.5-5 ○		9.5	27.0								
TME 5.5-6 ○	6.4	12.0	30.5	10.5							
TME 5.5-8 ○	8.4	15.0	35.5	14.0							
TME 5.5-10 ○	10.5										
TME 5.5-12 ○	13.0				19.2	40.0	16.4				
TME 5.5-14 ○	15.0	22.0	43.0	18.0				NA 10 NA 3	N10 13 N3 13		25

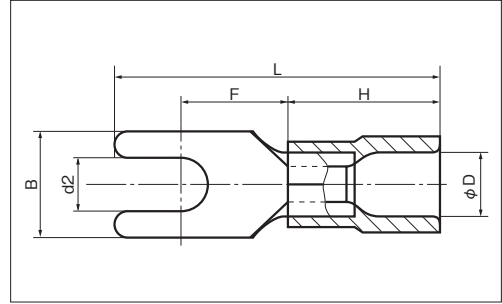
NOTE

- : UL · C-UL
- Please refer to page 37 for proper strip length of wire
- Transparent insulator is also available.

FEATURES

- Excellent for insulation with Rated Voltage of 600V
- Temperature range: -40°C ~ 125°C
- Its polycarbonate material will not generate poisonous halogenic gas and/or corrosive gas when combusted.
- RoHS SOC10 Compliant.
- 2 Standard colors available for each size:
1.25mm²(red & clear)-2mm²(blue & clear)-5.5mm²(yellow & clear)

ENVIRONMENTALLY FRIENDLY INSULATED TERMINALS (Y TYPE)



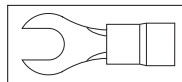
B

RoHS 10
See page 2

PART NUMBER	DIMENSIONS mm						WIRE RANGE		TOOL No.		STD COLOR	STD QTY/BOX						
	d2	B	L	F	H	φD	STRANDED mm ²	AWG	HAND TOOL No.	DIES No.								
									TOOL BODY No.									
TMEY 0.3Y-2 ○	2.2	5.2	17.5	4.9	10.0	3.2	0.2-0.5	24-20	NH 5	NH 32	YELLOW	1,000 (100×10)						
TMEY 0.3Y-3 ○	3.2			5.8														
TMEY 0.3Y-3.5N ○	3.7	6.4	6.6															
TMEY 0.3Y-4N ○	4.3	8.0	7.0															
TMEY 0.3Y-5 ○	5.3	21.0	7.0															
TMEY 1.25Y-2.5 ○	2.7	4.7	17.2	5.1	10.0	4.1	0.3 ∩ 1.65	22-16	NH 11 NH 32	RED	1,000 (100×10)							
TMEY 1.25Y-3K ○	3.2	5.6	20.5	5.8														
TMEY 1.25Y-3S ○		5.7	17.4	4.8														
TMEY 1.25Y-3 ○		5.8	20.5	5.8														
TMEY 1.25Y-3N ○	3.7	5.6	21.5	6.6														
TMEY 1.25Y-3.5K ○			20.5	5.8														
TMEY 1.25Y-3.5 ○			5.8	20.5								5.8						
TMEY 1.25Y-3L ○	4.3	6.2	21.5	6.8														
TMEY 1.25Y-4N ○			6.4	6.6														
TMEY 1.25Y-4S ○			7.0	21.9								7.6						
TMEY 1.25Y-4M ○	5.3	9.6	8.1	7.5														
TMEY 1.25Y-4L ○			23.0	8.3														
TMEY 1.25Y-5 ○			6.4	25.5								8.6						
TMEY 1.25Y-6 ○	6.4	11.0	25.5	8.6								10.0	4.5	1.04 ∩ 2.63	16-14	NH 12 NH 32	BLUE	1,000 (100×10)
TMEY 2Y-3 ○	3.2	5.9	21.3	6.6														
TMEY 2Y-3.5S ○	3.7	5.8		6.6														
TMEY 2Y-3.5 ○		6.4	7.6															
TMEY 2Y-3.5L ○			6.6															
TMEY 2Y-4N ○	4.3	7.0	21.5	7.0														
TMEY 2Y-4S ○			8.0	7.1														
TMEY 2Y-4 ○			10.0	22.6	8.7													
TMEY 2Y-4M ○	5.3	8.0	21.5	7.1														
TMEY 2Y-5 ○			10.0	22.6	8.7													
TMEY 2Y-5M ○			23.5	8.5														
TMEY 2Y-5L ○	6.4	12.0	24.5	8.6														
TMEY 2Y-6 ○			27.5	11.5														
TMEY 2Y-8 ○	8.4	14.0	27.5	11.5	14.0	6.8	2.63 ∩ 6.64	12-10	NH 13	YELLOW	50							
TMEY 5.5Y-4S ○	4.3	8.4	25.7	7.2														
TMEY 5.5Y-4 ○		9.0																
TMEY 5.5Y-5 ○	5.2	9.0	32.7	12.0														
TMEY 5.5Y-6 ○	6.4	12.5																

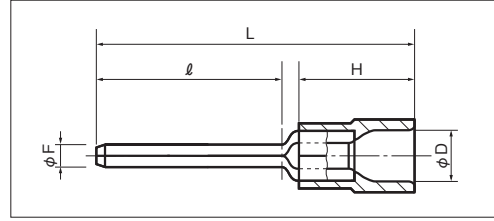
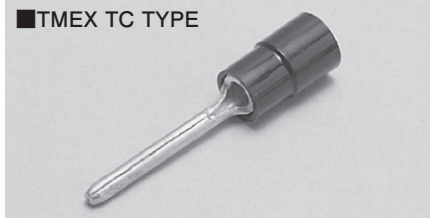
NOTE

- : UL · C-UL
- Please refer to page 37 for proper strip length of wire
- Tongue shape of 1.25Y-3S is shown on the right.
- Transparent insulator is also available.



ENVIRONMENTALLY FRIENDLY INSULATED TERMINALS (TC TYPE)

■ TMEX TC TYPE



RoHS10

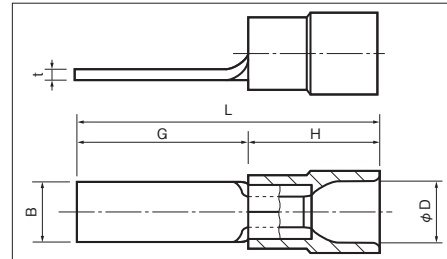
See page 2

(Non stock item)

PART NUMBER	DIMENSIONS mm					WIRE RANGE		TOOL No.		STD COLOR	STD QTY/BOX	
	φF	l	L	H	φD	STRANDED mm ²	AWG	HAND TOOL No.				
								TOOL BODY No.	DIES No.			
TMEX TC-0.3-9.5 ○	1.0	9.5	20.8	10.0	2.8	0.2-0.5	24-20	NH 5 NH 32 NH 60	NA 10 NA 3	N10 10 N3 5	YELLOW	1,000 (100×10)
TMEX TC-1.25-11 ○	1.9	11.0	23.0	10.0	4.1	0.3 ∩ 1.65	22-16	NH 11 NH 32	NA 10 NA 3	N10 11 N3 11	RED	1,000 (100×10)
TMEX TC-1.25-11S ○	1.5											
TMEX TC-1.25-16 ○	1.9	16.0	27.5	10.0	4.5	1.04 ∩ 2.63	16-14	NH 12 NH 32	NA 10 NA 3	N10 12 N3 12	BLUE	1,000 (100×10)
TMEX TC-1.25-16S ○	1.5											
TMEX TC-1.25-20 ○	1.9	20.0	31.5	10.0	4.5	1.04 ∩ 2.63	16-14	NH 12 NH 32	NA 10 NA 3	N10 12 N3 12	BLUE	1,000 (100×10)
TMEX TC-1.25-20S ○	1.5											
TMEX TC-2-11 ○	1.9	11.0	23.0	10.0	4.5	1.04 ∩ 2.63	16-14	NH 12 NH 32	NA 10 NA 3	N10 12 N3 12	BLUE	1,000 (100×10)
TMEX TC-2-11S ○	1.5											
TMEX TC-2-16 ○	1.9	16.0	27.5	10.0	4.5	1.04 ∩ 2.63	16-14	NH 12 NH 32	NA 10 NA 3	N10 12 N3 12	BLUE	1,000 (100×10)
TMEX TC-2-16S ○	1.5											
TMEX TC-2-20 ○	1.9	20.0	31.5	10.0	4.5	1.04 ∩ 2.63	16-14	NH 12 NH 32	NA 10 NA 3	N10 12 N3 12	BLUE	1,000 (100×10)
TMEX TC-2-20S ○	1.5											
TMEX TC-5.5-11 ○	2.7	11.0	28.5	14.0	6.8	2.63 ∩ 6.64	12-10	NH 13 NA 10 NA 3	N10 13 N3 13	YELLOW	50	

ENVIRONMENTALLY FRIENDLY INSULATED TERMINALS (BT TYPE)

■ TMEX BT TYPE



RoHS10

See page 2

(Non stock item)

PART NUMBER	DIMENSIONS mm						WIRE RANGE		TOOL No.		STD COLOR	STD QTY/BOX	
	B	t	L	G	H	φD	STRANDED mm ²	AWG	HAND TOOL No.				
									TOOL BODY No.	DIES No.			
TMEX BT-1.25-9-1 ○	2.2	0.75	19.0	9.0	10.0	4.1	0.3 ∩ 1.65	22-16	NH 11 NH 32	NA 10 NA 3	N10 11 N3 11	RED	1,000 (100×10)
TMEX BT-1.25-9 ○	2.8		19.1	9.1									
TMEX BT-1.25-10-1 ○	2.2		20.5	10.5									
TMEX BT-1.25-10 ○	3.4		20.3	10.3									
TMEX BT-1.25-11 ○	3.0		21.2	11.2									
TMEX BT-1.25-13 ○	3.4		23.0	13.0									
TMEX BT-1.25-14 ○	3.0		24.6	14.6									
TMEX BT-1.25-18 ○	2.2		28.5	18.5									
TMEX BT-2-9-1 ○	2.2	0.85	19.0	9.0	10.0	4.5	1.04 ∩ 2.63	16-14	NH 12 NH 32	NA 10 NA 3	N10 12 N3 12	BLUE	1,000 (100×10)
TMEX BT-2-9 ○	2.8		19.1	9.1									
TMEX BT-2-13 ○	4.6		23.0	13.0									
TMEX BT-2-18 ○	2.2		28.5	18.5									
TMEX BT-5.5-10 ○	2.8	0.95	24.0	10.0	14.0	6.8	2.63 ∩ 6.64	12-10	NH 13 NA 10 NA 3	N10 13 N3 13	YELLOW	50	
TMEX BT-5.5-13 ○	4.5		27.0	13.0									
TMEX BT-5.5-18 ○	4.5		32.0	18.0									

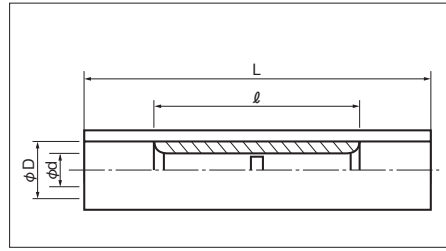
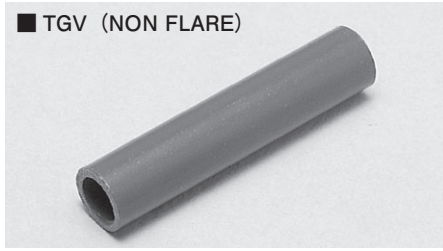
NOTE 1) ○ : UL · C-UL

NOTE 2) Please refer to page 37 for proper strip length of wire.

INSULATED BUTT CONNECTORS (B TYPE) **TGV** **TMV** **TMDV** : Vinyl

SEAMLESS BUTT

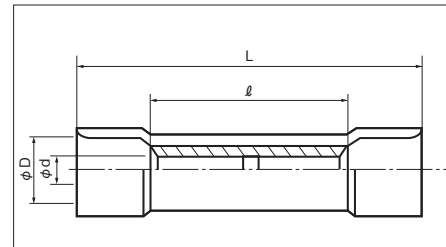
TGV (NON FLARE)



RoHS 6
See page 2

PART NUMBER	DIMENSIONS mm				WIRE RANGE		TOOL No.		STD COLOR	STD QTY/BOX
	phi d	phi D	L	l	STRANDED mm ²	AWG	HAND TOOL No.			
TOOL BODY No.							DIES No.			
TGV B-0.5	1.4	2.6	24.0	11.5	0.3~0.75	22-18	NA 10 NA 3	NH 5 NH 32 N10 10 N3 5	YELLOW	1,000 (100×10)
TGV B-1.25 ◇	1.8	3.2	25.5	15.0	0.3~1.65	22-16	NA 10 NA 3	NH 11 NH 32 N10 11 N3 11	RED	1,000 (100×10)
TGV B-2 ◇	2.3	3.9	25.5	15.0	1.04~2.63	16-14	NA 10 NA 3	NH 12 NH 32 N10 12 N3 12	BLUE	1,000 (100×10)
TGV B-5.5 ◇	3.5	5.4	27.5	15.0	2.63~6.64	12-10	NA 10 NA 3	NH 13 N10 13 N3 13	YELLOW	500 (100×5)

TMV (FLARED)

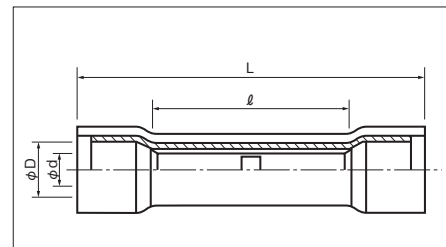


RoHS10
See page 2

RoHS 6
TMV B-0.5
See page 2

PART NUMBER	DIMENSIONS mm				WIRE RANGE		TOOL No.		STD COLOR	STD QTY/BOX
	phi d	phi D	L	l	STRANDED mm ²	AWG	HAND TOOL No.			
TOOL BODY No.							DIES No.			
TMV B-0.5 ◇	1.4	2.9	24.0	11.5	0.3~0.75	22-18	NA 10 NA 3	NH 5 NH 32 N10 10 N3 5	YELLOW	1,000 (100×10)
TMV B-1.25 ◇	1.8	3.8	25.5	15.0	0.3~1.65	22~16	NA 10 NA 3	NH 11 NH 32 N10 11 N3 11	RED	1,000 (100×10)
TMV B-2 ◇	2.3	4.5	25.5	15.0	1.04~2.63	16-14	NA 10 NA 3	NH 12 NH 32 N10 12 N3 12	BLUE	1,000 (100×10)
TMV B-5.5 ◇	3.5	6.4	27.5	15.0	2.63~6.64	12-10	NA 10 NA 3	NH 13 N10 13 N3 13	YELLOW	500 (100×5)

TMDV (with extra copper sleeve)



RoHS 6
See page 2

Non stock item

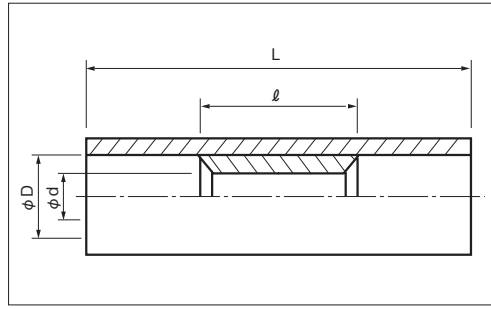
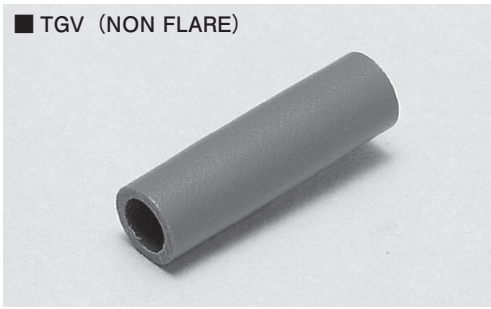
PART NUMBER	DIMENSIONS mm				WIRE RANGE		TOOL No.		STD COLOR	STD QTY/BOX
	phi d	phi D	L	l	STRANDED mm ²	AWG	HAND TOOL No.			
TOOL BODY No.							DIES No.			
TMDVB-1.25 ◇	1.8	3.6	25.5	15.0	0.3~1.65	22-16		NH 11 NH 32	RED	1,000 (100×10)
TMDVB-2 ◇	2.3	4.3	25.5	15.0	1.04~2.63	16-14		NH 12 NH 32	BLUE	1,000 (100×10)
TMDVB-5.5 ◇	3.5	6.0	27.5	15.0	2.63~6.64	12-10		NH 13	YELLOW	500 (100×5)

NOTE 1) ◇ : CSA

- Refer to page 37 for UL/CSA, insulator material/color, proper strip length of wire.
- Transparent and colored insulators are available for TGV B and TMV B(Vinyl).

INSULATED PARALLEL CONNECTORS (P TYPE) **TMV : Vinyl**

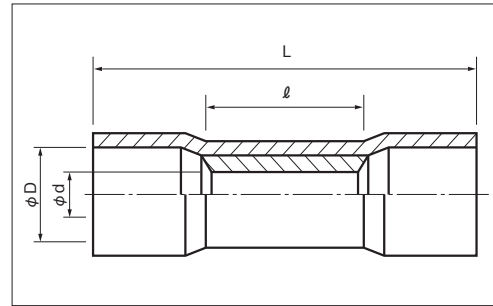
■ TGV (NON FLARE)



RoHS 6
See page 2

PART NUMBER	DIMENSIONS mm				WIRE RANGE		TOOL No.		STD COLOR	STD QTY/BOX
	φd	φD	L	ℓ	STRANDED mm ²	AWG	HAND TOOL No.			
							TOOL BODY No.	DIES No.		
TGV P-1.25 ◇	1.8	3.2	19.0	8.0	0.3~1.65	22-16	NA 10 NA 3	NH 11 NH 32 N10 11 N3 11	RED	1,000 (100×10)
TGV P-2 ◇	2.3	3.9	19.0	8.0	1.04~2.63	16-14	NA 10 NA 3	NH 12 NH 32 N10 12 N3 12	BLUE	1,000 (100×10)
TGV P-5.5 ◇	3.5	5.4	21.5	8.5	2.63~6.64	12-10	NA 10 NA 3	NH-13 N10 13 N3 13	YELLOW	1,000 (100×10)

■ TMV (FLARED)



RoHS 6
See page 2

PART NUMBER	DIMENSIONS mm				WIRE RANGE		TOOL No.		STD COLOR	STD QTY/BOX
	φd	φD	L	ℓ	STRANDED mm ²	AWG	HAND TOOL No.			
							TOOL BODY No.	DIES No.		
TMV P-0.5 ◇	1.4	2.9	19.0	8.0	0.3~0.75	22-18	NA 10 NA 3	NH 5 NH 32 N10 10 N3 5	YELLOW	1,000 (100×10)
TMV P-1.25 ◇	1.8	3.8	19.0	8.0	0.3~1.65	22-16	NA 10 NA 3	NH 11 NH 32 N10 11 N3 11	RED	1,000 (100×10)
TMV P-2 ◇	2.3	4.5	19.0	8.0	1.04~2.63	16-14	NA 10 NA 3	NH 12 NH 32 N10 12 N3 12	BLUE	1,000 (100×10)
TMV P-5.5 ◇	3.5	6.4	21.5	8.5	2.63~6.64	12-10	NA 10 NA 3	NH 13 N10 13 N3 13	YELLOW	1,000 (100×10)

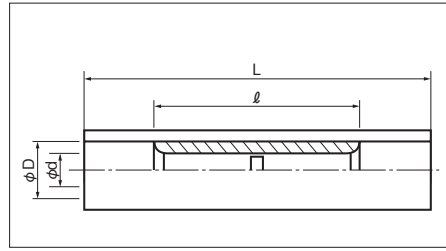
NOTE 1) ◇ : CSA

2) Transparent insulator is also available for TGVP and TMVP(Vinyl).

INSULATED BUTT CONNECTORS (B TYPE) TGN : Nylon TMN : Nylon

SEAMLESS BUTT

■ TGN (NON FLARE)

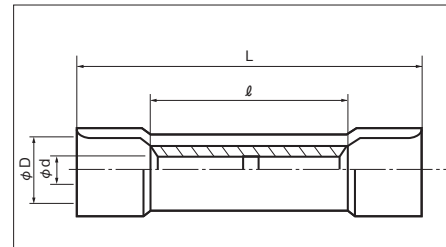
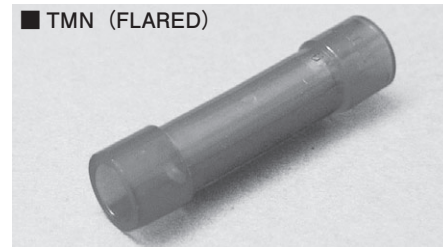


RoHS 10 See page 2 RoHS 10 See page 2

Non stock item

PART NUMBER	DIMENSIONS mm				WIRE RANGE		TOOL No.		STD COLOR	STD QTY/BOX
	φd	φD	L	l	STRANDED mm ²	AWG	HAND TOOL No.			
							TOOL BODY No.	DIES No.		
TGN B-1.25 ◇	1.8	3.2	25.5	15.0	0.5~1.65	20-16	NA 10 NA 3	NH 11 NH 32 N10 11 N3 11	RED TRANSLUCENT	1,000 (100×10)
TGN B-2 ◇	2.3	3.9	25.5	15.0	1.04~2.63	16-14	NA 10 NA 3	NH 12 NH 32 N10 12 N3 12	BLUE TRANSLUCENT	
TGN B-5.5 ◇	3.5	5.4	27.5	15.0	2.63~6.64	12-10	NA 10 NA 3	NH 13 N10 13 N3 13	YELLOW TRANSLUCENT	500 (100×5)

■ TMN (FLARED)



RoHS 10 See page 2 RoHS 10 See page 2

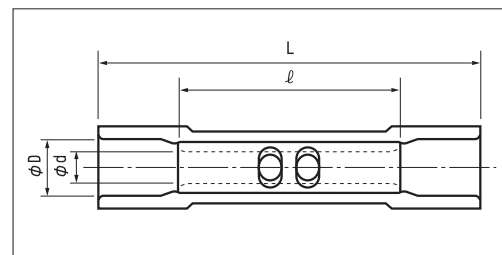
Non stock item

PART NUMBER	DIMENSIONS mm				WIRE RANGE		TOOL No.		STD COLOR	STD QTY/BOX
	φd	φD	L	l	STRANDED mm ²	AWG	HAND TOOL No.			
							TOOL BODY No.	DIES No.		
TMN B-1.25 ◇	1.8	3.8	25.5	15.0	0.5~1.65	20~16	NA 10 NA 3	NH 11 NH 32 N10 11 N3 11	RED TRANSLUCENT	1,000 (100×10)
TMN B-2 ◇	2.3	4.5	25.5	15.0	1.04~2.63	16-14	NA 10 NA 3	NH 12 NH 32 N10 12 N3 12	BLUE TRANSLUCENT	
TMN B-5.5 ◇	3.5	6.4	27.5	15.0	2.63~6.64	12-10	NA 10 NA 3	NH 13 N10 13 N3 13	YELLOW TRANSLUCENT	500 (100×5)

NOTE 1) ◇ : CSA

2) Refer to page 37 for UL/CSA, insulator material/color, proper strip length of wire and Nylon insulated products.

ENVIRONMENTALLY FRIENDLY INSULATED BUTT CONNECTORS Polycarbonate

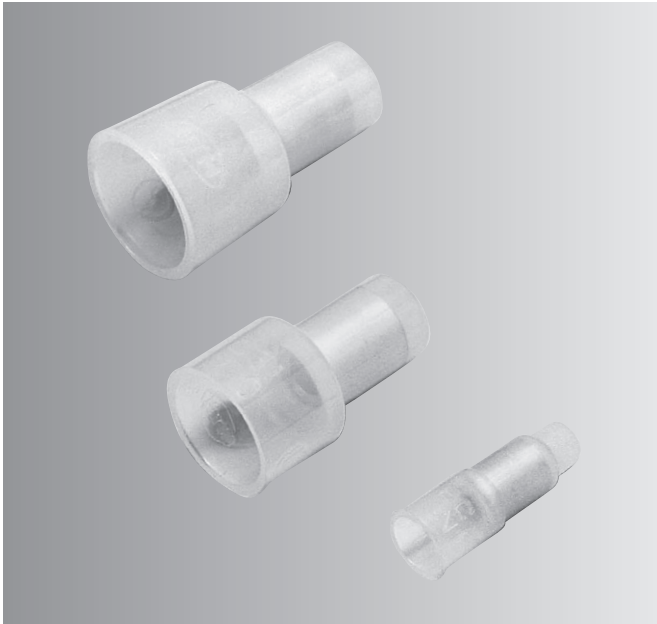


RoHS 10 See page 2

PART NUMBER	DIMENSIONS mm				WIRE RANGE		TOOL No.		STD COLOR	STD QTY/BOX
	φd	φD	L	l	STRANDED mm ²	AWG	HAND TOOL No.			
							TOOL BODY No.	DIES No.		
TMX BP-1.25	1.7	3.8	25.5	15.0	0.5~1.65	20-16	NA 10 NA 3	NH 11 NH 32 N10 11 N3 11	TRANSLUCENT	1,000 (100×10)

NOTE 1) Refer to page 37 for UL/CSA, insulator material, proper strip length of wire.

CLOSED END CONNECTORS



SPECIFICATION

- **MATERIAL** : Oxygen free copper tube.
(electro-tin-plated)
INSULATOR : NYLON
- **RATED VOLTAGE** : 300V
- **RATED CURRENT** : EC05-1 3A
EC1-1, CE-1, 7A
EC2-2, EC2-3, CE-2, 12A
EC3-1, CE-5, 17A
CE-8 23A
- **INSULATOR TEMPERATURE** : -40°C~ +105°C
- **FLAME RETARDANCE** : UL94V2 (Available UL94V0 upon your request)

NOTE

Use for internal wiring of home appliances.

UL/CSA

Use with listed wire combinations.

STANDARDS

- Japanese Industrial Standards JIS C2807
- UL486C (File No. E44245)
- CSA C22.2 No.188(File No. LR-28418)



FOR SAFETY USE

Please observe the following points to prevent over heat and possible fire.

- For copper wire only.
- Use our recommended tools.
- Use within specified wire range.
- Use as soon as possible after opening the package.
- Keep unused parts in closed container.

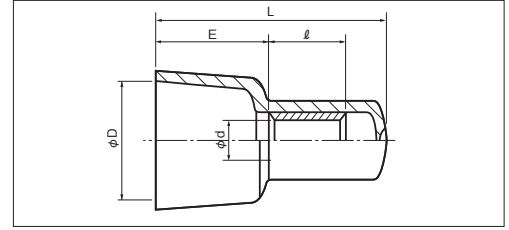
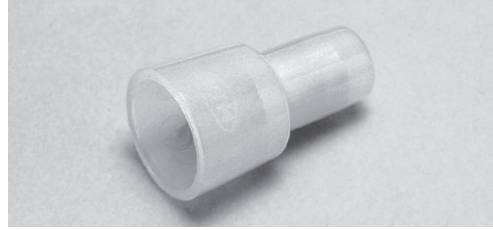
APPLICABLE WIRE

Wire range and performance ratings comply with JIS standards wire(IV, KIV, VSF) as per JIS C 2807:2003;-

1. Available for wire with max. strand dia. 1.0mm
2. When multiple wires with different dia. are crimped, the smaller wire dia. must be more than 1/2 of the bigger wire, if the bigger wire is over 0.5mm dia.

CLOSED END CONNECTORS (CE TYPE)

JIS C 2807



RoHS10
See page 2

PART NUMBER	DIMENSIONS mm					WIRE RANGE		TOOL No.		INS	COLOR	STD QTY/BOX
	φd	φD	L	l	E	mm ²	AWG	Hand	Pneumatic			
CE 1	2.4	6.5	18.0	6.2	8.8	0.5~1.75	22-16	NH 37	See page 148 For the die part number to use with NA10 or NA 3.	Nylon	Milky White	1,000 (100×10)
CE 2	3.0	8.0	21.0	7.3	9.6	1.0~3.0	16-14					
CE 5	3.9	10.5	28.0	7.2	10.8	2.5~6.0	12-10					
CE 8	4.8	12.0	24.5	8.2	11.9	4.0~9.0	8	NH 36B				500 (100×5)

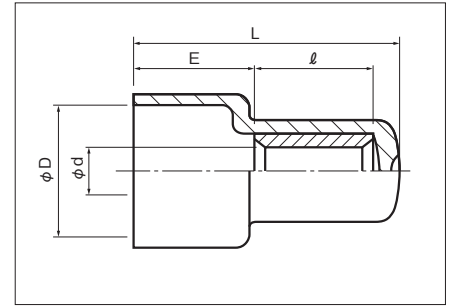
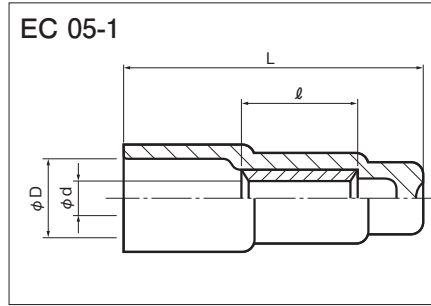
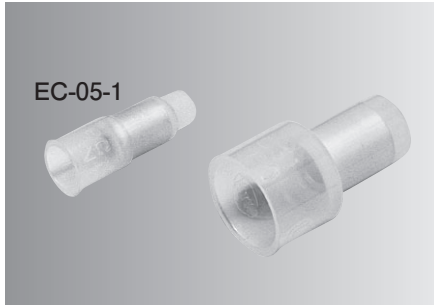
NOTE 1) ● : JIS · UL · CSA
2) For UL/CSA, see tool selection. (Page 146)

WIRE COMBINATIONS CHART(UL/CSA)

See next page how to use this chart.

PART NUMBER	WIRE RANGE mm ²	WIRE A			WIRE B mm ² (AWG)						
		mm ² (AWG)	PCS	0.3 (22)	0.5 (20)	0.75 (18)	1.25 (16)	2.0 (14)	3.5 (12)	5.5 (10)	
CE 1	0.5~1.75	0.3 (22)	1	1~3	1~2	1	1	—	—	—	—
			2	0~2	1~2	1	—	—	—	—	—
			3	0~1	1	1	—	—	—	—	—
		0.5 (20)	1	1~3	1~2	1	1	—	—	—	—
			2	1~2	0~1	—	—	—	—	—	—
CE 2	1.0~3.0	0.3 (22)	1	3~7	2~4	1~2	1~2	1	—	—	
			2	2~6	1~3	1~2	1	1	—	—	
			3	1~5	1~3	1~2	1	1	—	—	
		0.5 (20)	1	2~6	1~4	1~2	1~2	1	—	—	
			2	1~5	0~3	1~2	1	1	—	—	
			3	1~4	0~2	1~2	1	—	—	—	
		0.75 (18)	1	1~5	1~3	1~2	1	1	—	—	
			2	1~4	1~2	0~1	1	—	—	—	
		1.25 (16)	3	1~2	1	0	—	—	—	—	
			1	1~4	1~2	1~2	1	—	—	—	
CE 5	2.5~6.0	0.3 (22)	1	7~9	5~9	3~6	2~3	2	1	1	
			2	6~8	4~8	3~6	2~3	1	1	—	
			3	5~7	4~7	3~5	2	1	—	—	
		0.5 (20)	1	7~8	4~8	3~5	2~3	1~2	1	1	
			2	5~7	3~7	2~4	1~2	1~2	1	—	
			3	3~5	2~6	2~3	1~2	1~2	1	—	
		0.75 (18)	1	6~8	4~7	3~5	2~3	1~2	1	—	
			2	4~6	1~5	2~4	1~2	1~2	1	—	
			3	1~5	1~3	1~3	1~2	1	1	—	
		1.25 (16)	1	5~8	3~4	2~4	1~2	1~2	1	—	
			2	1~6	1~3	1~2	0~1	1	—	—	
			3	1~5	1~2	1~2	0	—	—	—	
		2.0 (14)	1	2~7	1~6	1~4	1~2	1~2	1	—	
			1	1~6	1~4	1~2	1	1	—	—	
		CE 8	4.0~9.0	0.5 (20)	1	—	7~12	5~8	3~4	2~3	1~2
2	—				6~11	4~7	2~4	2~3	1~2	1	
3	—				5~10	4~7	2~4	2	1	1	
4	—				4~9	3~6	1~3	1~2	1	1	
5	—				3~8	2~5	1~3	1~2	1	1	
6	—				2~7	2~4	1~2	1	1	1	
0.75 (18)	1			—	7~11	5~8	3~4	2~3	1~2	1	
	2			—	5~10	4~7	2~4	2	1~2	1	
	3			—	4~9	3~6	2~3	1~2	1	1	
	4			—	2~8	2~5	1~2	1~2	1	1	
1.25 (16)	5			—	1~6	1~4	1~2	1	1	—	
	1			—	7~11	4~8	3~4	2	1	1	
	2			—	5~10	2~6	2~3	1~2	1	—	
	3			—	1~7	1~4	1~2	1~2	1	—	
	4			—	1~6	1~3	0~1	1~2	1	—	
	1			—	7~10	3~7	2~4	1~2	1	1	
2.0 (14)	2			—	1~8	1~4	1~2	0~1	1	—	
	3			—	1~5	1~2	1~2	0	—	—	
	1			—	1~8	1~5	1~2	1	1	1	
	2			—	1~2	1~2	1	1	0	—	
3.5 (12)	1	—	1~5	1~4	1~3	1	1	—			
	1	—	1~5	1~4	1~3	1	1	—			

CLOSED END CONNECTORS (EC TYPE)



RoHS10
See page 2

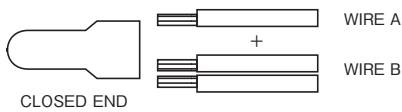
PART NUMBER	DIMENSIONS mm					WIRE RANGE		TOOL No.		INS	COLOR	STD QTY/BOX
	φd	φD	L	ℓ	E	mm ²	AWG	Hand	Pneumatic			
EC 05-1	1.6	3.5	13.0	5.0	5.1	0.13~0.9	26-18	NH 5	NA 3 N3 5	Nylon	Milky White	2,000 (1,000×2)
EC 1-1	2.2	6.2	15.2	7.8	5.7	0.5~1.65	22-16	NH 37	See page 148 For the die part number to use with NA10 or NA 3.			1,000 (100×10)
EC 2-2 ○		7.9	16.5	8.0	7.0	1.0~2.63	16-14					
EC 2-3 ○	3.0	8.0	23.0	7.3	9.6	1.0~3.0	12-10	NH 36B	500 (100×5)			
EC 3-1 ○	3.5	9.4	19.0	8.6	8.1	2.63~6.64						

NOTE 1) ○ : For UL/CSA, see tool selection. (Page 146)

WIRE COMBINATIONS CHART (UL/CSA)

PART NUMBER	WIRE COMBINATION mm ²	WIRE A		WIRE B mm ² (AWG)				
		mm ² (AWG)	PCS	0.5 (20)	0.75 (18)	1.25 (16)	2.0 (14)	3.5 (12)
EC 2-2	1.0~2.63	0.5 (20)	1	1~3	1~2	1	—	—
		0.75 (18)		1~3	1	1	—	—
		1.25 (16)		1~2	1	1	—	—
		0.5 (20)	2	0~2	1	1	—	—
EC 2-3	1.0~3.0	0.5 (20)	1	1~3	1~3	1~2	1	—
		0.75 (18)		1~3	1~2	1~2	1	—
		1.25 (16)		1~3	1~2	1	1	—
		2.0 (14)		1~2	1	1	—	—
		0.5 (20)	2	0~2	1~2	1	—	—
EC 3-1	2.63~6.64	0.5 (20)	1	5	3~5	2~3	2	1
		0.75 (18)		4~5	3~4	2~3	1~2	1
		1.25 (16)		3~4	2~4	1~2	1	1
		2.0 (14)		2~4	1~3	1~2	1	1
		3.5 (12)	1~3	1~2	1	—	—	
		0.5 (20)	2	4	3~4	2	1	1
		0.75 (18)		3~4	2~3	1~2	1	1
		1.25 (16)		1~3	1~2	0~1	1	—

How to use this chart.

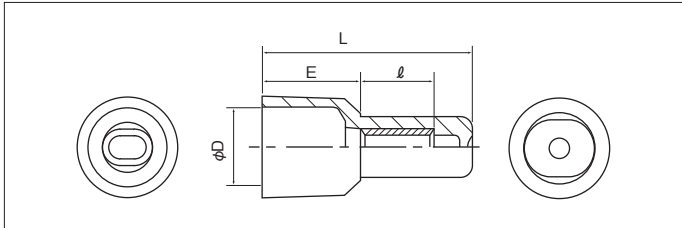
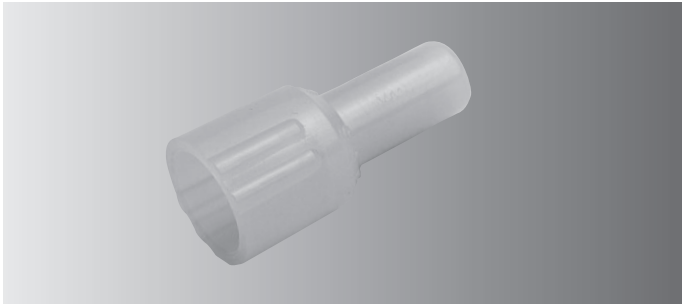


1. Choose wire size and number of wires from WIRE A.
2. Select wire size from the upper part of WIRE B.

3. Find the cross section of the chart from the wire sizes of 1. & 2. to find the number of wires in WIRE B.
4. Add the numbers of wire of WIRE A & WIRE B.
This number is the total number of wire combinations applicable for wire size A & wire size B

HIGH TEMP CLOSED END CONNECTORS

B



SPECIFICATION

When a fire breaks out, the circuit for the fire alarm must withstand the enormous heat to activate the alarm. These closed end connectors surpass the temperature rise test to 380 °C in 15 minutes.

FEATURE

- RATED CURRENT SQ CE-2HP/5HP : 5A
- RATED VOLTAGE 300V
- INSTALLATION TEMP : 0 ~ 40°C
- INSULATOR TEMPERATURE : -40 ~ 75°C

RoHS10

See page 2

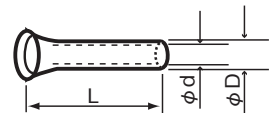
PART NUMBER	DIMENSIONS mm				TOOL No.	MATERIAL OF INSULATOR	COLOR	STD QTY/BOX
	φ D	L	l	E				
SQ CE - 2HP	9.6	20.0	7.0	9.5	NH 40	CROSS LINKED POLYETHYLENE	RED TRANSCULECENT	1,000(100×10)
SQ CE - 5HP	12.3	22.0	8.1	10.0				500(100×5)

EXAMPLE OF WIRE COMBINATION

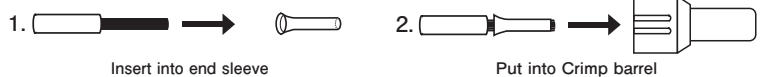
PART NUMBER	SOLID + SOLID WIRE				SOLID + STRANDED WIRE (USE END SLEEVE FOR STRANDED WIRE)	TOOL No.	
	φ 0.9mm	φ 1.0mm	φ 1.2mm	φ 1.6mm		DIE ID	
SQ CE - 2HP	2pcs	—	2pcs	—	φ 0.9mm×1pc+0.5mm ² ×1pc φ 0.9mm×1pc+0.75mm ² ×1pc φ 1.0mm×1pc+0.5mm ² ×1pc φ 1.0mm×1pc+0.75mm ² ×1pc	2HP	NH 40
	φ 0.9mm×1pc+ φ 1.2mm×1pc						
SQ CE - 5HP	3~4pcs	—	3~4pcs	2pcs	φ 0.9mm×1pc+1.25mm ² ×1pc φ 1.0mm×1pc+1.25mm ² ×1pc φ 1.2mm×1pc+0.5mm ² ×1~2pcs φ 1.2mm×1pc+0.75mm ² ×1~2pcs φ 1.2mm×1pc+1.25mm ² ×1pc φ 1.2mm×2pcs+0.5mm ² ×1pc	5HP	NH 40
	φ 0.9mm×1pc+ φ 1.2mm×2pcs φ 0.9mm×2pcs+ φ 1.2mm×1pc						

Use applicable end sleeve from the chart

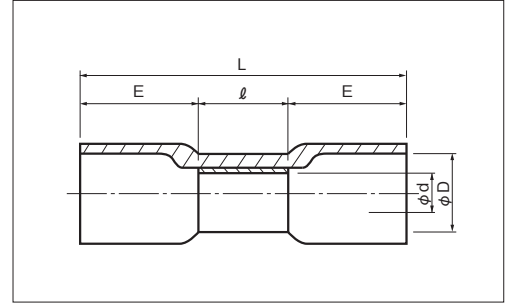
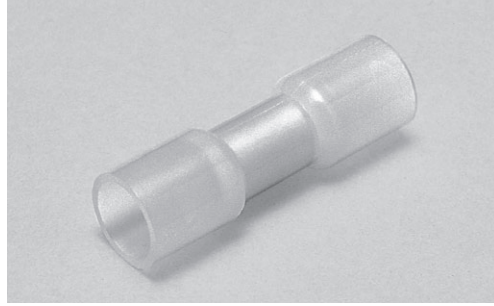
STRANDED WIRE SIZE	0.5mm ²	0.75mm ²	1.25mm ²
PART No. OF END SLEEVE	E-0.5	E-0.75	E-1.25
DIMENSIONS (mm)	φ d × φ D × L 1.0 × 1.3 × 10	φ d × φ D × L 1.2 × 1.5 × 10	φ d × φ D × L 1.6 × 1.8 × 10



NOTE : Stranded wires must be inserted into the end sleeves before crimping.



INTERMEDIATE CONNECTORS (MP TYPE)



RoHS 10
See page 2

B

PART NUMBER	DIMENSIONS mm					WIRE RANGE		TOOL No.		INS	COLOR	STD QTY/BOX
	φd	φD	L	ℓ	E	mm ²	AWG	HAND TOOL No.				
								TOOL BODY No.	DIES No.			
MP 2-4	2.8	6.0	25.0	7.0	9.0	1.0~3.0	16-14	NH 37 NA 3 N3 14		Nylon	Translucent	1,000

WIRE COMBINATIONS CHART

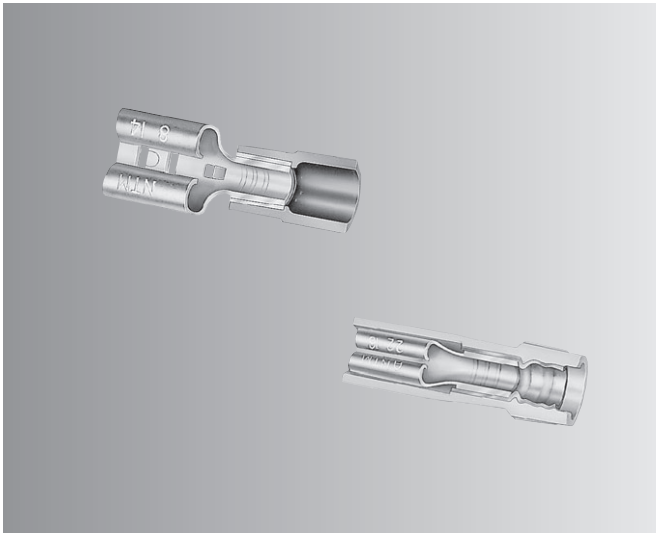
■ See page 67 how to use this chart.

* There is a same combination.

PART NUMBER	WIRE COMBINATION mm ²	WIRE A		WIRE B mm ² (AWG)			
		mm ² (AWG)	PCS	0.5 (20)	0.75 (18)	1.25 (16)	2.0 (14)
MP 2-4	1.0~3.0	0.5 (20)	1	1~3	1~2	1	1
		0.75 (18)		1~3	1~2	1	1
		1.25 (16)		1~2	1	1	—
		2.0 (14)		1	1	—	—
		0.5 (20)	2	*	1	—	—

QUICK-DISCONNECTS

B



SPECIFICATION

- **MATERIAL** : Terminal : Brass (Electro-tin-plated)
Sleeve : Oxygen free copper tube (electro-tin-plated)
Insulator : Vinyl/Nylon
- **RATED VOLTAGE** : 300V
- **RATED CURRENT** : See following table

TAB WIDTH	WIRE SIZE mm ²			
	0.75	1.25	2	5.5
2.8mm (.110)	8A	12A	—	—
4.8mm (.187)	10A	15A	20A	—
6.3mm (.250)	10A	15A	20A	20A

- **INSULATOR TEMPERATURE** : - 40°C ~ + 75°C Vinyl
- 40°C ~ + 105°C Nylon
- **FLAME RETARDANCE** : UL94V0 Vinyl
UL94V2 Nylon

STANDARDS

- UL310 (File No. E78965)
- CSA C22.2 No.153 (File No. LR-28418)



FOR SAFETY USE

Please observe the following points to prevent over heat and possible fire.

- For copper wire only.
- Use our recommended tools.
- Use within specified wire range.

(NOTE) **APPLICABLE WIRE**

Wire range and performance ratings comply with JIS standard wire (IV, KIV, VSF)

UL/CSA

For UL/CSA listed or certified, use proper Nichifu crimp tool. To find correct tool, see our tool selection page 146

INSULATOR/COLOR

STANDARD COLOR			
	TMED1.25	TMED2	TMED5.5
VINYL	Red	Blue	Yellow
NYLON	Red translucent	Blue translucent	Yellow translucent

WIRE STRIP LENGTH

- Strip length should be approx. 2mm longer than crimp barrel length. (Conductor should come out 1mm from crimp barrel.)

NYLON PRODUCTS

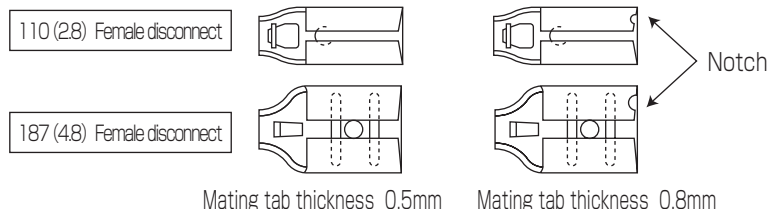
- Due to greater water absorption rate than vinyl, keep unused parts in closed container.

■ STRUCTURE OF OUR PART NUMBER

INSULATOR SHAPE	INSULATOR MATERIAL	TAB WIDTH	TAB THICKNESS	NOMINAL SIZE	TERMINAL SHAPE
TMED	V : VINYL	28 : 2.8mm	0.5 : 0.5mm	09 : 1.25mm ²	F
SEE NEXT PAGE	N : NYLON	48 : 4.8mm	0.8 : 0.8mm	20 : 2mm ²	M See next page
TMDE		63 : 6.3mm		55 : 5.5mm ²	FA See next page
					MA

■ MATING TAB IDENTIFICATION

To identify the tab thickness of 0.8mm, the female disconnect has a notch as shown in the illustration on the right



Mating tab thickness 0.5mm

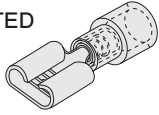
Mating tab thickness 0.8mm

QUICK-DISCONNECTS

SHAPE OF MATING AREA

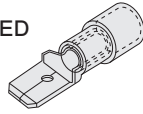
F

INSULATED FEMALE



M

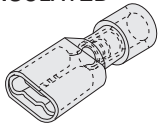
INSULATED MALE



Partial insulation.

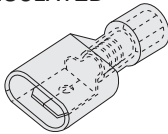
FA

FULLY INSULATED FEMALE



MA

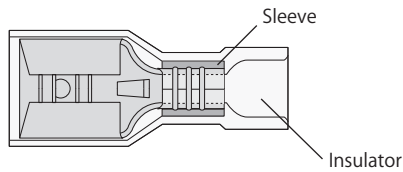
FULLY INSULATED MALE



Full insulation.

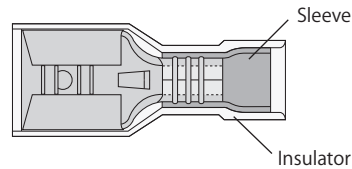
SHAPE OF WIRE ENTRANCE

TMED TYPE



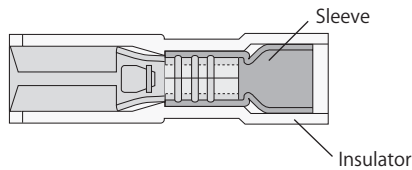
Copper sleeve on terminal barrel only.
Easy Entry

TMD TYPE



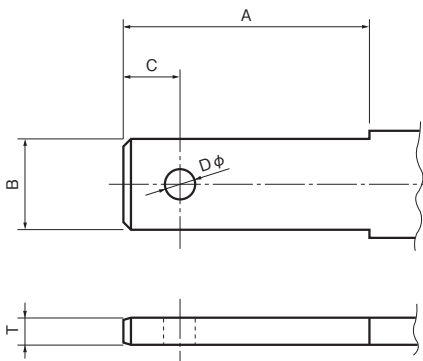
Double grip disconnects.
Vibration resistance.

TMDE TYPE

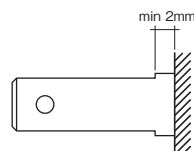


Nylon, easy entry, double grip disconnects,
Vibration resistance.

TAB dimension to be mated. Following table shows standard mating tab dimensions



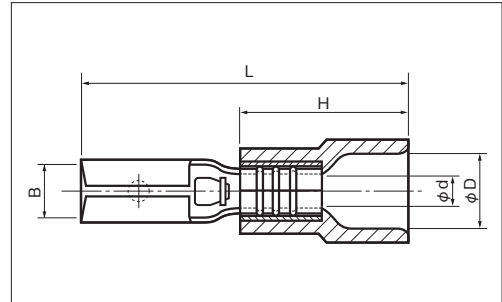
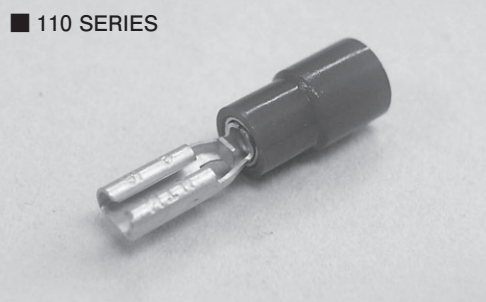
SERIES	DIMENSIONS mm				
	A	B	C	ϕD	T
2.8 (110)	7.0	2.8 ± 0.1	5.45 ± 0.15	1.2 ± 0.1	0.5 or 0.8
4.8 (187)	6.2	4.75 ± 0.1	3.0 ± 0.2	1.4 ± 0.1	0.5 or 0.8
6.3 (250)	7.8	6.3 ± 0.1	3.3 ± 0.2	1.8 ± 0.1	0.8



Mating tab dimensions for Fully Insulated Disconnect.
See illustration on the left.

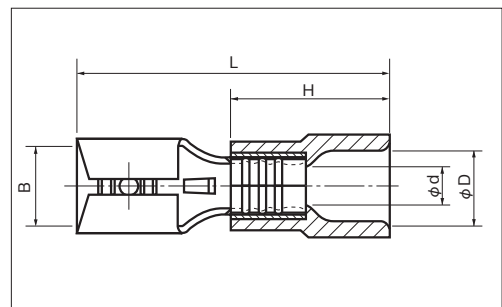
QUICK-DISCONNECTS

TMEDV : Vinyl



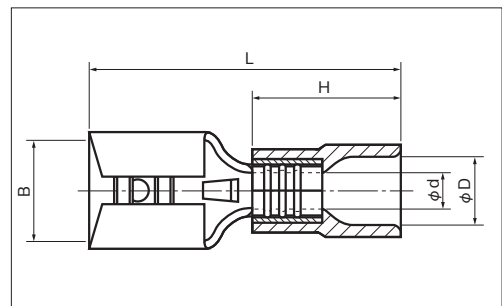
RoHS10
See page 2

PART NUMBER	DIMENSIONS mm					MATING TAB THICKNESS mm	WIRE RANGE		TOOL No.		STD COLOR	STD QTY/BOX	
	B	L	φd	φD	H		STRANDED mm ²	AWG	HAND TOOL No.				
									TOOL BODY No.	DIES No.			
TMEDV 280509-F ○	3.2	19.5	1.8	4.1	10.0	0.5	0.75~1.25	18-16	NH 11 NH 32	NA 10 NA 3	N10 11 N3 11	RED	1,000 (100×10)
TMEDV 280809-F ○						0.8							



RoHS10
See page 2

PART NUMBER	DIMENSIONS mm					MATING TAB THICKNESS mm	WIRE RANGE		TOOL No.		STD COLOR	STD QTY/BOX	
	B	L	φd	φD	H		STRANDED mm ²	AWG	HAND TOOL No.				
									TOOL BODY No.	DIES No.			
TMEDV 480509-F ○	5.0	19.5	1.8	4.1	10.0	0.5	0.75~1.25	18-16	NH 11 NH 32	NA 10 NA 3	N10 11 N3 11	RED	1,000 (100×10)
TMEDV 480809-F ○						0.8							
TMEDV 480520-F ○	5.0	19.5	2.4	4.5	10.0	0.5	2.0	14	NH 12 NH 32	NA 10 NA 3	N10 12 N3 12	BLUE	1,000 (100×10)
TMEDV 480820-F ○						0.8							



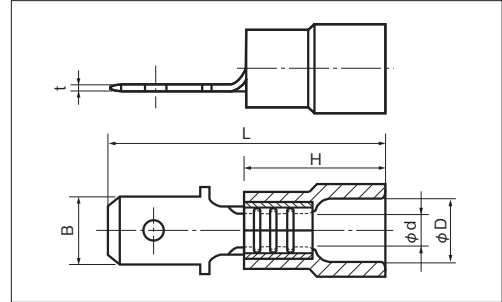
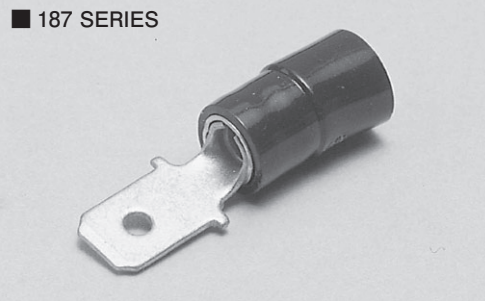
RoHS10
See page 2

PART NUMBER	DIMENSIONS mm					MATING TAB THICKNESS mm	WIRE RANGE		TOOL No.		STD COLOR	STD QTY/BOX											
	B	L	φd	φD	H		STRANDED mm ²	AWG	HAND TOOL No.														
									TOOL BODY No.	DIES No.													
TMEDV 630809-F ○	6.8	21.0	1.7	4.1	10.0	0.8	0.75~1.25	18-16	NH 11 NH 32	NA 10 NA 3	N10 11 N3 11	RED	1000 (100×10)										
TMEDV 630820-F ○														2.3	4.5	10.0	0.8	2.0	14	NH 12 NH 32	NA 10 NA 3	N10 12 N3 12	BLUE
TMEDV 630855-F ○														3.5	6.8	14.0	0.8	3.5~5.5	12-10	NH 13	NA 10 NA 3	N10 13 N3 13	YELLOW

- NOTE 1) ○ : UL/CSA
 2) Refer to page 70 for UL/CSA, proper strip length of wire.
 3) TMD & TMDEN Types are also available, see page 71.

QUICK-DISCONNECTS

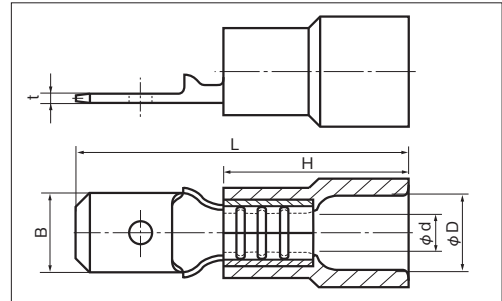
TMEDV : Vinyl



RoHS10

See page 2

PART NUMBER	DIMENSIONS mm						WIRE RANGE		TOOL No.		STD COLOR	STD QTY/BOX
	B	L	t	ϕd	ϕD	H	STRANDED mm ²	AWG	HAND TOOL No.	TOOL BODY No. DIES No.		
TMEDV 480520-M ○	4.8	19.5	0.5	2.2	4.5	10.0	2.0	14	NH 12 NH 32	NA 10 NA 3 N10 12 N3 12	BLUE	1,000 (100×10)



RoHS10

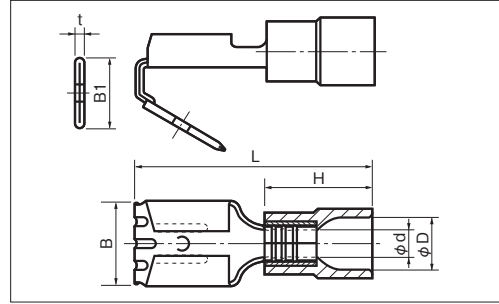
See page 2

PART NUMBER	DIMENSIONS mm						WIRE RANGE		TOOL No.		STD COLOR	STD QTY/BOX
	B	L	t	ϕd	ϕD	H	STRANDED mm ²	AWG	HAND TOOL No.	TOOL BODY No. DIES No.		
TMEDV 630809-M ○	6.35	21.0	0.8	1.85	4.1	10.0	0.75~1.25	18-16	NH 11 NH 32	NA 10 NA 3 N10 11 N3 11	RED	1,000 (100×10)
TMEDV 630820-M ○	6.35	21.0	0.8	2.55	4.5	10.0	2.0	14	NH 12 NH 32	NA 10 NA 3 N10 12 N3 12	BLUE	1,000 (100×10)
TMEDV 630855-M ○	6.35	25.0	0.8	3.65	6.8	14.0	3.5~5.5	12-10	NH 13	NA 10 NA 3 N10 13 N3 13	YELLOW	500 (100×5)

- NOTE 1) ○ : UL/CSA
 2) Refer to page 70 for UL/CSA, proper strip length of wire.
 3) TMD & TMDEN Types are also available, see page 71.

QUICK-DISCONNECTS

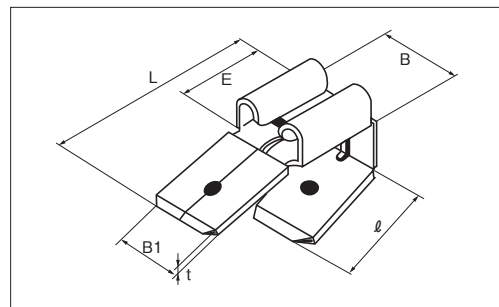
TMEDV : Vinyl



RoHS10
See page 2

PART NUMBER	DIMENSIONS mm							WIRE RANGE		TOOL No.		STD COLOR	STD QTY/BOX
	B	B1	L	φd	φD	H	t	STRANDED mm ²	AWG	HAND TOOL No.			
										TOOL BODY No.	DIES No.		
TMEDV 630809-V	6.9	6.35	22.0	1.85	4.1	10.0	0.8	0.75~1.25	18-16	NA 10 NA 3	NH 11 NH 32 N10 11 N3 11	RED	1,000 (100×10)
TMEDV 630820-V	6.9	6.35	22.0	2.55	4.5	10.0	0.8	2.0	14	NA 10 NA 3	NH 12 NH 32 N10 12 N3 12	BLUE	1,000 (100×10)

NOTE 1) Refer to page 70 for proper strip length of wire.
2) TMD & TMDEN Types are also available , see page 71.



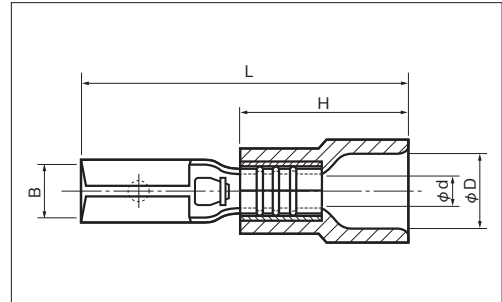
RoHS10
See page 2

PART NUMBER	DIMENSIONS mm						TOOL No.		STD QTY/BOX
	B	B1	L	t	ℓ	E	TOOL BODY No.	DIES No.	
63V	6.9	6.35	18.3	0.8	9.0	7.5	—	—	1,000

QUICK-DISCONNECTS

TMEDN : Nylon

■ 110 SERIES



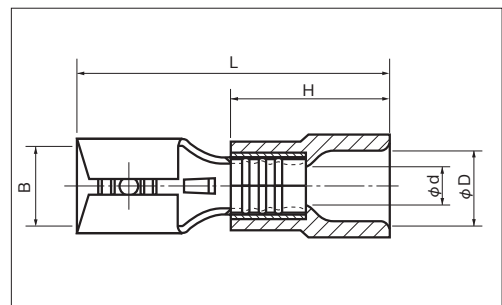
RoHS 10

See page 2

Non stock item

PART NUMBER	DIMENSIONS mm					MATING TAB THICKNESS mm	WIRE RANGE		TOOL No.		STD COLOR	STD QTY/BOX
	B	L	φd	φD	H		STRANDED mm ²	AWG	HAND TOOL No.	TOOL BODY No. DIES No.		
TMEDN 280509-F ○	3.2	19.5	1.8	4.1	10.0	0.5	0.75~1.25	18-16	NH 11 NH 32	N10 11 N3 11	RED TRANSLUCENT	1,000 (100×10)
TMEDN 280809-F ○						0.8			NA 10 NA 3			

■ 187 SERIES



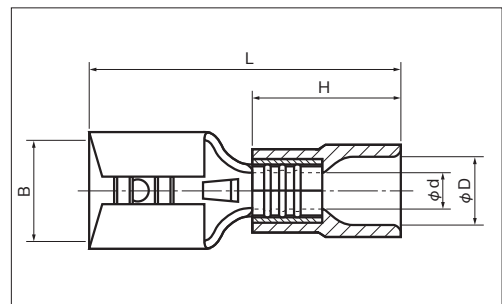
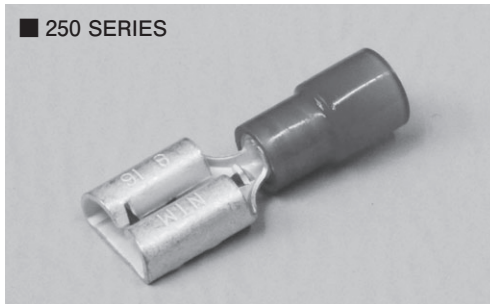
RoHS 10

See page 2

Non stock item

PART NUMBER	DIMENSIONS mm					MATING TAB THICKNESS mm	WIRE RANGE		TOOL No.		STD COLOR	STD QTY/BOX
	B	L	φd	φD	H		STRANDED mm ²	AWG	HAND TOOL No.	TOOL BODY No. DIES No.		
TMEDN 480509-F ○	5.0	19.5	1.8	4.1	10.0	0.5	0.75~1.25	18-16	NH 11 NH 32	N10 11 N3 11	RED TRANSLUCENT	1,000 (100×10)
TMEDN 480809-F ○						0.8			NA 10 NA 3			
TMEDN 480520-F ○	5.0	19.5	2.4	4.5	10.0	0.5	2.0	14	NH 12 NH 32	N10 12 N3 12	BLUE TRANSLUCENT	1,000 (100×10)
TMEDN 480820-F ○						0.8			NA 10 NA 3			

■ 250 SERIES



RoHS 10

See page 2

RoHS 10

Yellow Nylon
See page 2

Non stock item

PART NUMBER	DIMENSIONS mm					MATING TAB THICKNESS mm	WIRE RANGE		TOOL No.		STD COLOR	STD QTY/BOX
	B	L	φd	φD	H		STRANDED mm ²	AWG	HAND TOOL No.	TOOL BODY No. DIES No.		
TMEDN 630809-F ○	6.8	21.0	1.7	4.1	10.0	0.8	0.75~1.25	18-16	NH 11 NH 32	N10 11 N3 11	RED TRANSLUCENT	1,000 (100×10)
TMEDN 630820-F ○									NH 12 NH 32			
TMEDN 630855-F ○	6.8	25.0	3.5	6.8	14.0	0.8	5.5	10	NH 13	N10 13 N3 13	YELLOW TRANSLUCENT	

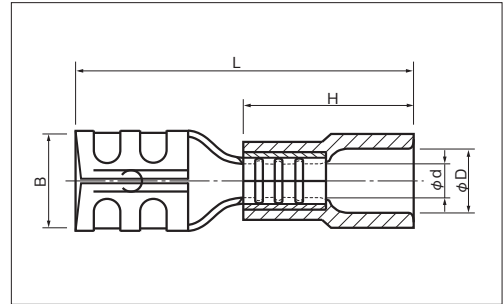
NOTE 1) ○ : UL/CSA

2) Refer to page 70 for UL/CSA, proper strip length of wire and Nylon insulated products.

3) TMD & TMDEN Types are also available, see page 71.

QUICK-DISCONNECTS

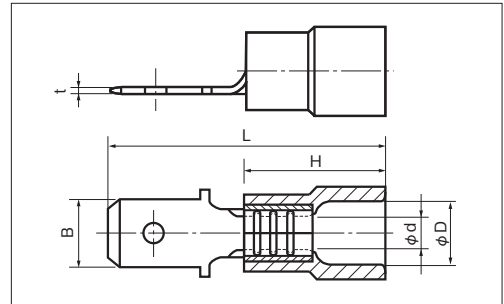
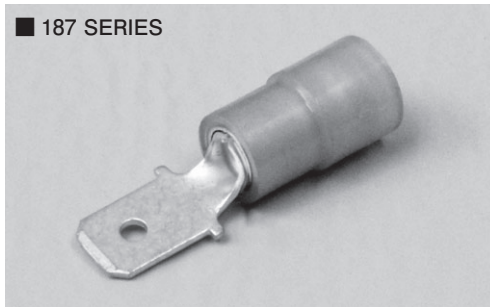
TMEDN : Nylon



RoHS 10
See page 2

Non stock item

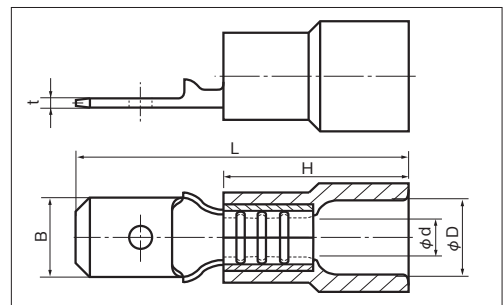
PART NUMBER	DIMENSIONS mm					MATING TAB THICKNESS mm	WIRE RANGE		TOOL No.		STD COLOR	STD QTY/BOX
	B	L	φd	φD	H		STRANDED mm ²	AWG	HAND TOOL No.	DIES No.		
TMEDN 480509-F03	5.1	19.5	1.8	4.1	10.0	0.5	0.75~1.25	18-16	NH 11 NH 32 NA 10 NA 3	N10 11 N3 11	RED TRANSLUCENT	1,000 (100×10)
TMEDN 480520-F03	5.1	19.5	2.4	4.5	10.0	0.5	2.0	14	NH 12 NH 32 NA 10 NA 3	N10 12 N3 12	BLUE TRANSLUCENT	1,000 (100×10)



RoHS 10
See page 2

Non stock item

PART NUMBER	DIMENSIONS mm						WIRE RANGE		TOOL No.		STD COLOR	STD QTY/BOX
	B	L	t	φd	φD	H	STRANDED mm ²	AWG	HAND TOOL No.	DIES No.		
TMEDN 480520-M ○	4.8	19.5	0.5	2.2	4.5	10.0	2.0	14	NH 12 NH 32 NA 10 NA 3	N10 12 N3 12	BLUE TRANSLUCENT	1,000 (100×10)



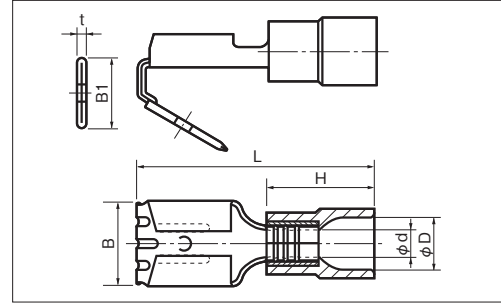
RoHS 10
See page 2

RoHS 10
Yellow Nylon
See page 2

Non stock item

PART NUMBER	DIMENSIONS mm						WIRE RANGE		TOOL No.		STD COLOR	STD QTY/BOX
	B	L	t	φd	φD	H	STRANDED mm ²	AWG	HAND TOOL No.	DIES No.		
TMEDN 630809-M ○	6.35	21.0	0.8	1.85	4.1	10.0	0.75~1.25	18-16	NH 11 NH 32 NA 10 NA 3	N10 11 N3 11	RED TRANSLUCENT	1,000 (100×10)
TMEDN 630820-M ○	6.35	21.0	0.8	2.55	4.5	10.0	2.0	14	NH 12 NH 32 NA 10 NA 3	N10 12 N3 12	BLUE TRANSLUCENT	1,000 (100×10)
TMEDN 630855-M ○	6.35	25.0	0.8	3.65	6.8	14.0	5.5	10	NH 13 NA 10 NA 3	N10 13 N3 13	YELLOW TRANSLUCENT	500 (100×5)

- NOTE 1) ○ : UL/CSA
 2) Refer to page 70 for UL/CSA, proper strip length of wire and Nylon insulated products.
 3) TMD & TMDEN Types are also available, see page 71.



RoHS10
See page 2

Non stock item

PART NUMBER	DIMENSIONS mm							WIRE RANGE		TOOL No.		STD COLOR	STD QTY/BOX
	B	B1	L	φd	φD	H	t	STRANDED mm ²	AWG	HAND TOOL No.			
										TOOL BODY No.	DIES No.		
TMEDN 630809-V	6.9	6.35	22.0	1.85	4.1	10.0	0.8	0.75~1.25	18-16	NH 11 NA 10	N10 11 N3 11	RED TRANSLUCENT	1,000 (100×10)
TMEDN 630820-V	6.9	6.35	22.0	2.55	4.5	10.0	0.8	2.0	14	NH 12 NA 10	N10 12 N3 12	BLUE TRANSLUCENT	1,000 (100×10)

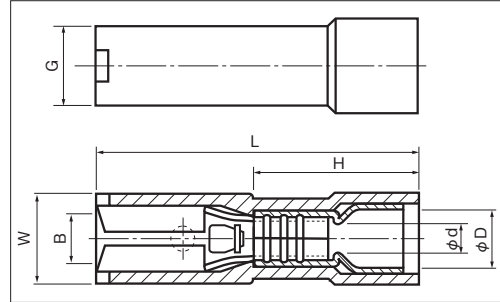
NOTE 1) Refer to page 70 for proper strip length of wire and Nylon insulated products
2) TMD & TMDEN Types are also available , see page 71.

QUICK-DISCONNECTS

TMDEN
TMEDN : Nylon
TMDN

■ FULLY INSULATED
FEMALE DISCONNECTS

■ 110 SERIES

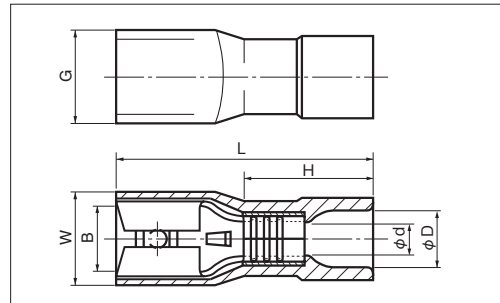


RoHS 10
See page 2

PART NUMBER	DIMENSIONS mm							MATING TAB THICKNESS mm	WIRE RANGE		TOOL No.		STD COLOR	STD QTY/BOX
	B	W	L	φd	φD	G	H		STRANDED mm ²	AWG	HAND TOOL No. TOOL BODY No. DIES No.			
TMDEN 280509-FA	3.2	5.5	19.5	1.9	3.4	4.8	10.0	0.5	0.75~1.25	18-16	NH 11 NH 32	RED TRANSLUCENT	1,000 (100×10)	
TMDEN 280809-FA								0.8			NA 10 NA 3			N10 11 N3 11

Made by cutting ICT.

■ 187 SERIES

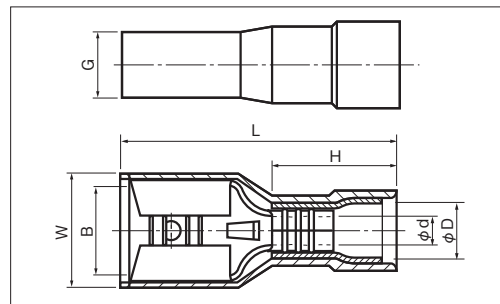


RoHS 10
See page 2

PART NUMBER	DIMENSIONS mm							MATING TAB THICKNESS mm	WIRE RANGE		TOOL No.		STD COLOR	STD QTY/BOX
	B	W	L	φd	φD	G	H		STRANDED mm ²	AWG	HAND TOOL No. TOOL BODY No. DIES No.			
TMEDN 480509-FA ○	5.0	7.2	19.5	1.8	4.1	4.9	9.8	0.5	0.75~1.25	18-16	NH 11 NH 32	RED TRANSLUCENT	1,000 (100×10)	
TMEDN 480809-FA ○								0.8			NA 10 NA 3			N10 11 N3 11
TMEDN 480520-FA ○	5.0	7.2	19.5	2.4	4.5	5.6	9.8	0.5	2.0	14	NH 12 NH 32	BLUE TRANSLUCENT	1,000 (100×10)	
TMEDN 480820-FA ○								0.8			NA 10 NA 3			N10 12 N3 12

Made by cutting ICT.

■ 250 SERIES



RoHS 10
See page 2

RoHS 10
Yellow Nylon
See page 2

PART NUMBER	DIMENSIONS mm							MATING TAB THICKNESS mm	WIRE RANGE		TOOL No.		STD COLOR	STD QTY/BOX
	B	W	L	φd	φD	G	H		STRANDED mm ²	AWG	HAND TOOL No. TOOL BODY No. DIES No.			
TMDN 630809-FA △	6.8	9.0	21.0	1.7	3.2	4.9	9.5	0.8	0.75~1.25	18-16	NH 11 NH 32	RED TRANSLUCENT	1,000 (100×10)	
TMDN 630820-FA △								0.8			NA 10 NA 3			N10 11 N3 11
TMDN 630855-FA △	6.8	9.0	21.0	2.4	3.9	5.2	9.5	0.8	2.0	14	NH 12 NH 32	BLUE TRANSLUCENT	1,000 (100×10)	
TMDN 630855-FA △								0.8			NA 10 NA 3			N10 12 N3 12
TMDN 630855-FA △	6.8	9.2	26.0	3.5	5.4	5.8	15.0	0.8	5.5	10	NH 13	YELLOW TRANSLUCENT	500 (100×5)	
TMDN 630855-FA △								0.8			NA 10 NA 3			N10 13 N3 13

NOTE 1) ○ : UL/CSA △ : UL

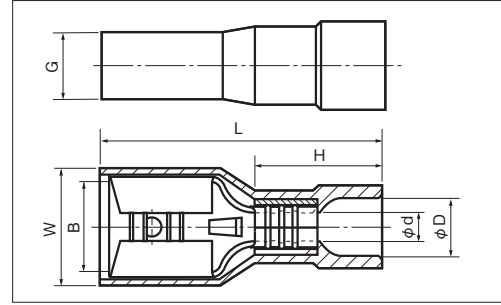
2) Refer to page 70 for UL/CSA, proper strip length of wire and Nylon insulated products.

QUICK-DISCONNECTS

TMEDN : Nylon

■ FULLY INSULATED
FEMALE DISCONNECTS

■ 250 SERIES



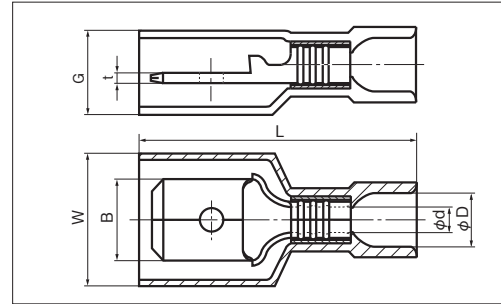
RoHS 10
See page 2

PART NUMBER	DIMENSIONS mm							MATING TAB THICKNESS mm	WIRE RANGE		TOOL No. HAND TOOL No.		STD COLOR	STD QTY/BOX
	B	W	L	φd	φD	G	H		STRANDED mm ²	AWG	TOOL BODY No.	DIES No.		
TMEDN 630809-FA ○	6.8	9.0	21.0	1.7	4.1	4.9	9.5	0.8	0.75~1.25	18-16	NH 11 NH 32 NA 10 NA 3	N10 11 N3 11	RED TRANSLUCENT	1,000 (100×10)
TMEDN 630820-FA ○	6.8	9.0	21.0	2.4	4.5	5.2	9.5	0.8	2.0	14	NH 12 NH 32 NA 10 NA 3	N10 12 N3 12	BLUE TRANSLUCENT	1,000 (100×10)

Mate with TMEDN 630809MA and TMEDN 630820MA

■ FULLY INSULATED
MALE DISCONNECTS

■ 250 SERIES



RoHS 10
See page 2

PART NUMBER	DIMENSIONS mm							MATING TAB THICKNESS mm	WIRE RANGE		TOOL No. HAND TOOL No.		STD COLOR	STD QTY/BOX
	B	W	t	L	φd	φD	G		H	STRANDED mm ²	AWG	TOOL BODY No.		
TMEDN 630809-MA ○	6.35	10.3	0.8	22.0	1.85	4.1	6.4	10.0	0.75~1.25	18-16	NH 11 NH 32 NA 10 NA 3	N10 11 N3 11	RED TRANSLUCENT	500 (100×5)
TMEDN 630820-MA ○	6.35	10.3	0.8	22.0	2.55	4.5	6.4	10.0	2.0	14	NH 12 NH 32 NA 10 NA 3	N10 12 N3 12	BLUE TRANSLUCENT	

It is not appropriate to mate with ICTDN 630809FA and ICTDN 630820FA

NOTE 1) ○ : UL/CSA

2) Refer to page 70 for UL/CSA, proper strip length of wire and Nylon insulated products.

BULLETS & RECEPTACLES (PC · PCE TYPE)

SPECIFICATION

■ MATERIAL : Terminal : Brass (Electro-tin-plated)
Sleeve : Oxygen free copper tube
(electro-tin-plated)

Insulator: Nylon

■ RATED VOLTAGE : 300V

■ RATED CURRENT : See following table

Wire mm ²	0.5	0.75	1.25	2
A	10	12	15	20

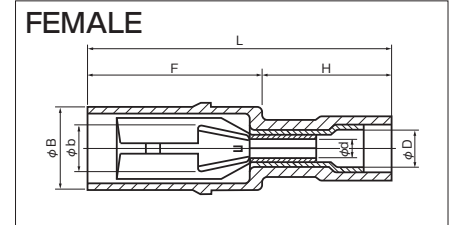
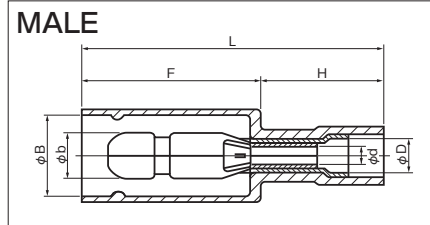
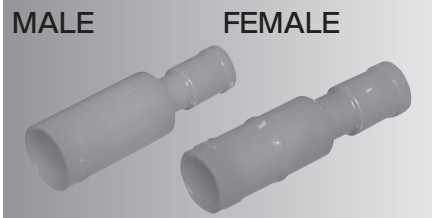
■ INSULATOR TEMPERATURE : - 40°C ~ + 105°C

■ FLAME RETARDANCE : UL94V2

■ APPLICABLE WIRE : Performance ratings comply with JIS standards wire (IV · KIV · VSF)

PC TYPE

RoHS 10
See page 2

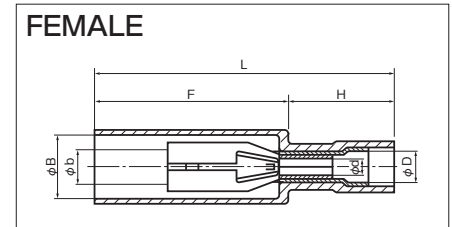
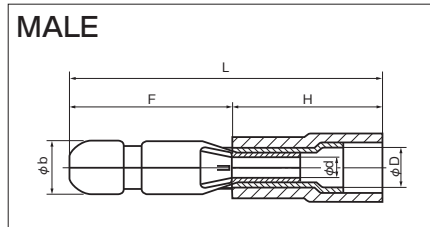
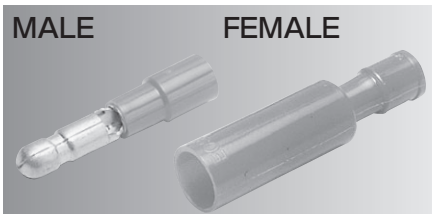


PART NUMBER	DIMENSIONS mm							WIRE RANGE		TOOL No.		INS	STD COLOR	STD QTY/BOX
	φb	φB	φd	φD	L	F	H	STRANDED mm ²	AWG	HAND TOOL No.	DIES No.			
PC 2005-M	2.0	5.1	1.7	3.1	26.5	15.0	11.5	0.5 0.75	20-18	NH 5 NH 32 NA 10 NA 3	N10 10 N3 5	Nylon	TRANSLUCENT	1,000 (100×10)
PC 2005-F	2.0	4.6			24.5	13.0								
PC 4009-M	4.0	7.4	1.8	3.2	27.7	16.5	11.2	0.75 1.25	18-16	NH 11 NH 32 NA 10 NA 3	N10 11 N3 11		RED	1,000 (100×10)
PC 4009-F	3.95	6.9			26.2	15.0								
PC 4020-M	4.0	7.4	2.4	3.9	27.7	16.5	2.0	14	NH 12 NH 32 NA 10 NA 3	N10 12 N3 12	BLUE		1,000 (100×10)	
PC 4020-F	3.95	6.9			26.2	15.0								

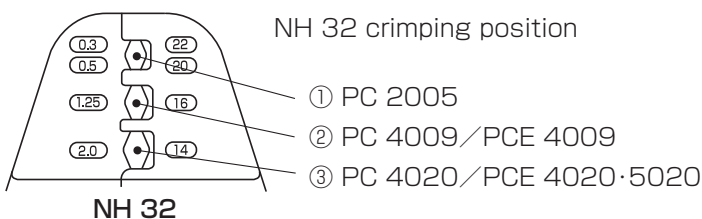
No insulator lock on PC2005.

PCE TYPE

RoHS 10
See page 2

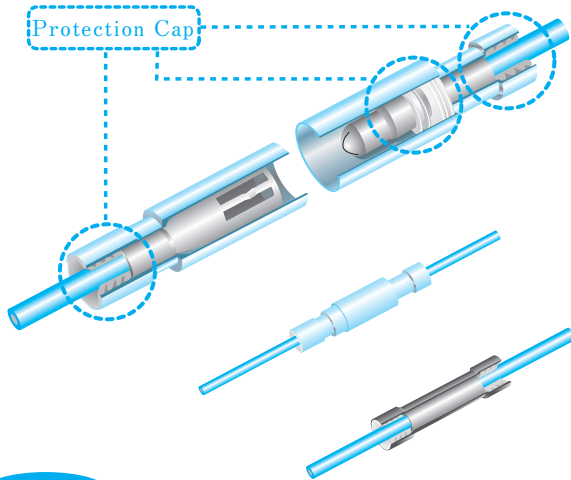


PART NUMBER	DIMENSIONS mm							WIRE RANGE		TOOL No.		INS	STD COLOR	STD QTY/BOX
	φb	φB	φd	φD	L	F	H	STRANDED mm ²	AWG	HAND TOOL No.	DIES No.			
PCE 4009-M	4.0	—	1.8	3.2	25.2	13.0	12.2	0.75 1.25	18-16	NH 11 NH 32 NA 10 NA 3	N10 11 N3 11	Nylon	RED	1,000 (100×10)
PCE 4009-F	3.95	6.5			31.5	20.3	11.2							
PCE 4020-M	4.0	—	2.4	3.9	25.2	13.0	12.2	2.0	14	NH 12 NH 32	N10 12 N3 12		BLUE	500 (100×5)
PCE 4020-F	3.95	6.5			31.5	20.3	11.2							
PCE 5020-M	5.0	—	2.4	3.9	25.2	13.0	12.2	2.0	14	NA 10 NA 3	N10 12 N3 12		BLUE	500 (100×5)
PCE 5020-F	4.95	7.4			31.5	20.3	11.2							



INSULATED BULLETS & RECEPTACLES • BUTTS, WP-TYPE

No heat required.



SPECIFICATION

- RATED VOLTAGE 300V
- RATED CURRENT

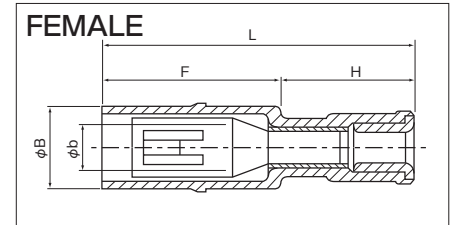
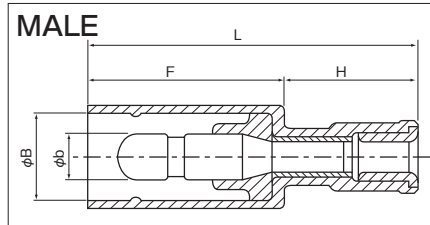
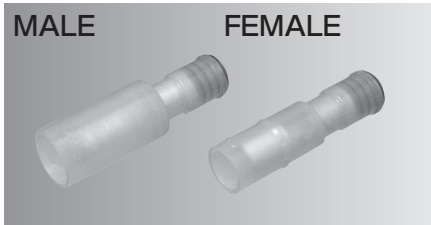
WIRE SIZE	PC	TMNB
1.25mm ²	15A	19A
2mm ²	20A	27A

- FLAME RETARDANCE UL94V-2
- INSULATOR TEMPERATURE - 40°C ~ + 105°C
- PROTECTION IP57 (IEC529)

RoHS 10

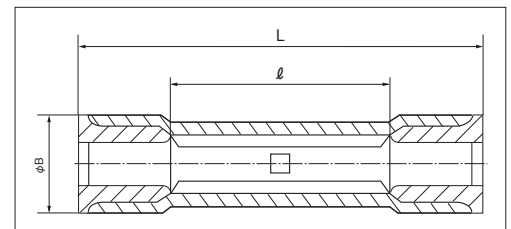
See page 2

INSULATED BULLETS/RECEPTACLES, WP-TYPE



PART NUMBER	DIMENSIONS mm					WIRE RANGE			TOOL No.	INS	STD COLOR	STD QTY/BOX
	φb	φB	L	F	H	STRANDED mm ²	AWG	WIRE OUTSIDE DIAMETER				
PC 4009-M-WP	4.0	5.1	27.7	16.5	11.2	0.75 ┆ 1.25	18-16	φ2.6 ┆ φ3.2	NH 64	Nylon	RED TRANSLUCENT	1,000 (100×10)
PC 4009-F-WP	3.95	6.9	26.2	15.0								
PC 4020-M-WP	4.0	7.4	27.7	16.5		2.0	14	φ3.0 ┆ φ3.6			BLUE TRANSLUCENT	
PC 4020-F-WP	3.95	6.9	26.2	15.0								

INSULATED BUTT CONNECTORS, WP-TYPE



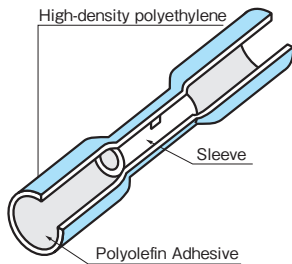
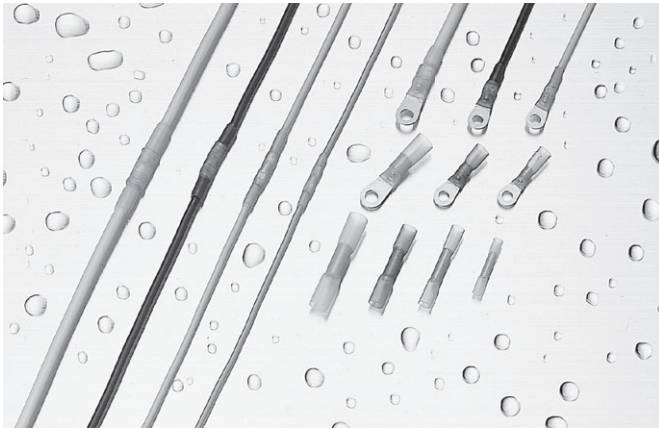
RoHS 10

See page 2

PART NUMBER	DIMENSIONS mm			WIRE RANGE			TOOL No.	INS	STD COLOR	STD QTY/BOX
	L	φB	l	STRANDED mm ²	AWG	WIRE OUTSIDE DIAMETER				
TMN B-1.25-WP	26.9	φ5.4	15.0	0.5 ~ 1.25	20-16	φ2.5 ~ φ2.9	NH 64	Nylon	RED TRANSLUCENT	1,000 (100×10)
TMN B-2-WP		φ6.1							1.04 ~ 2.63	

HEAT-SHRINKABLE RINGS & BUTTS

B



■ CRIMP PROCESS

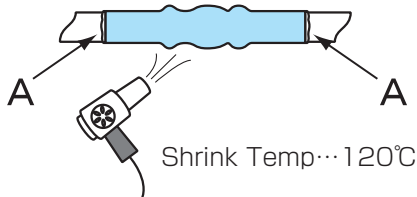
① WIRE INSERTION



② CRIMP



③ APPLY HEAT



When heated, shrink the outer polyethylene layer and melt the inner polyolefin liner of insulator.

The insulation of HEAT SHRINK RING (SR) and BUTT (SB) consists of a special double layer, high-density polyethylene and polyolefin adhesive. After crimping, the insulation is heated to shrink the outer polyethylene layer and to melt the inner polyolefin liner. This action squeezes out gas while filling all voids resulting in a sealed connection.

SPECIFICATION

RATED VOLTAGE	AC600V		
RATED CURRENT	PART NUMBER	WIRE RANGE	AMPERE
	SB 2218	0.3mm ²	5A
		0.5mm ²	8A
	SB 1816	0.75mm ²	12A
		1.25mm ²	15A
SB 1614	2mm ²	23A	
SB 1210	5.5mm ²	45A	
Max. INS. TEMP.	105°C		

■ APPLICATIONS

Automobile, Water Pump, Vessel, Home appliance (Washer, Kitchen), anti-vibration, anti-dust applications.

■ APPLIED WIRE

Most wires are acceptable except when insulated with silicon rubber, fiber glass, teflon (FET, TFE etc) and fluororubber.

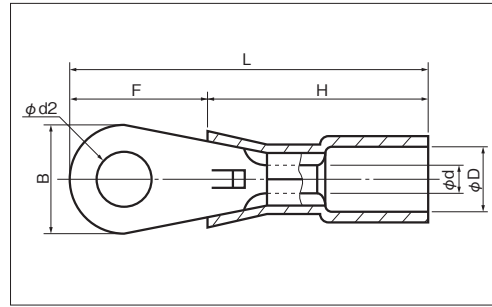
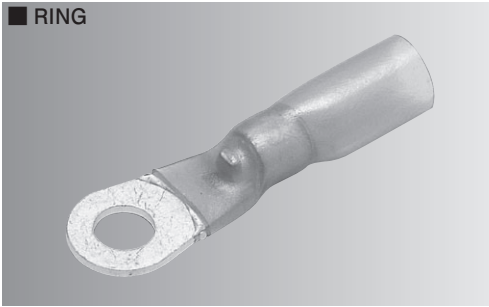
■ HEATING TO SHRINK

- Apply heat of 120°C on the insulator. Do not apply flame directly. Do not make excessive shrinkage, as such, by electric furnace of 140 °C, for over 5 minutes.
- Apply heat from the center of the butt moving towards the end while rotating the butt.
- Application of heat is sufficient when the inner adhesive melts and slightly protrudes from the outer insulator. (See left figure A)

■ NOTE

- Keep out of direct sun light and hot places to avoid premature shrinkage.
- Do not make excessive shrinkage to avoid breakage on the insulator.

HEAT-SHRINKABLE RINGS & BUTTS

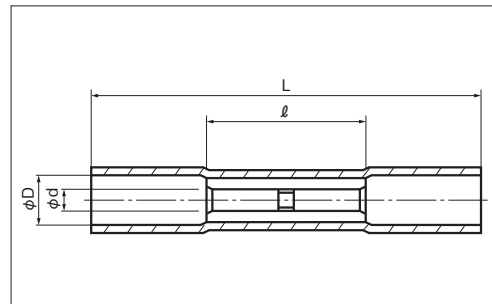
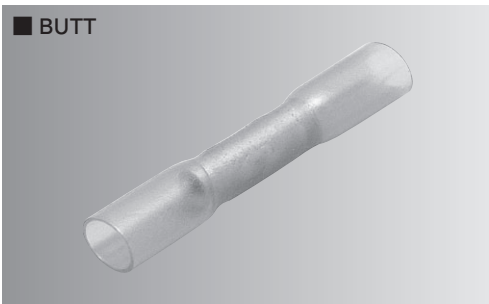


RoHS10
See page 2

B

PART NUMBER	DIMENSIONS mm					WIRE RANGE		TOOL No.	STD COLOR	STD QTY/BOX		
	φd2	B	L	F	H	φD	φd				mm ²	AWG
SR 1.25-3C	3.2	5.5	25.3	7.0	16.5	4.2 (MIN)	1.7	0.75 1.25	18-16	NH 82A	Red Translucent	1000 (100×10)
SR 1.25-3.5C	3.7	6.6	25.8	8.0								
SR 1.25-4C	4.3	8.0	26.5	9.0								
SR 1.25-5C	5.3			10.0								
SR 2-3C	3.2	5.5	25.8	7.0	17.0	4.9 (MIN)	2.3	2.0	14	NH 82A	Blue Translucent	1000 (100×10)
SR 2-3.5C	3.7	6.6	26.3	8.0								
SR 2-4C	4.3	8.5	27.3	9.0								
SR 2-5C	5.3	9.5	27.8	10.0								
SR 5.5-3C	3.2	7.0	33.5	7.0	21.5	6.4 (MIN)	3.4	5.5	10	NH 82A	Yellow Translucent	1000 (100×10)
SR 5.5-3.5C	3.7			8.0								
SR 5.5-4NC	4.3			9.0								
SR 5.5-4C				11.3								
SR 5.5-5C	5.3			10.0								

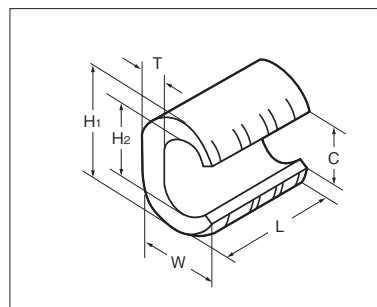
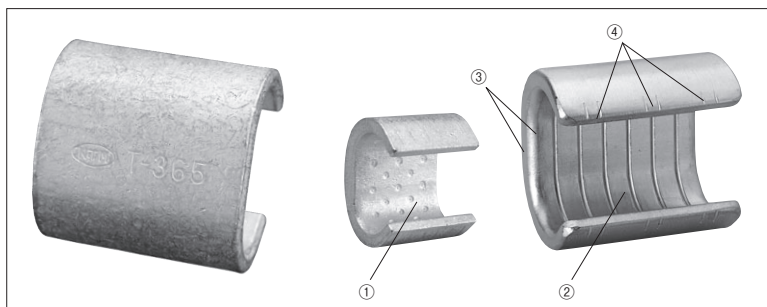
NOTE 1) Dimension L · F · H shows minimum.



RoHS10
See page 2

PART NUMBER	DIMENSIONS mm				WIRE RANGE		TOOL No.		STD COLOR	STD QTY/BOX
	φd	φD	L	ℓ	mm ²	AWG	Hand	Pneumatic		
SB 2218	1.4	2.9 (MIN)	25	11.5	0.3 0.5	22-20	NH 82A	NA 3 (N3 15)	Yellow Translucent	1000 (100×10)
SB 1816	1.8	4.2 (MIN)	37	15.0	0.75 1.25	18-16	NH 82A	NA 3 (N3 16)	Red Translucent	1000 (100×10)
SB 1614	2.3	4.9 (MIN)	37	15.0	2.0	14	NH 82A	NA 3 (N3 16)	Blue Translucent	1000 (100×10)
SB 1210	3.5	6.2 (MIN)	42	15.0	5.5	10	NH 82A	—	Yellow Translucent	500 (100×5)

CLAMP CONNECTORS



FEATURES

- Dimpled ^① or serrated ^② to obtain high pull-out value.
- Chamfered edges ^③ designed to protect the wire.
- Stamped lines ^④ show proper crimp dies position.

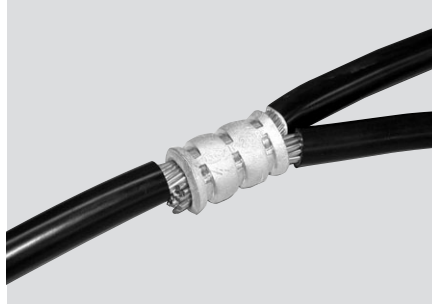
RoHS 10

See page 2

PART NUMBER	DIMENSIONS mm						NUMBER OF CRIMP	COMBINED WIRE RANGE (mm ²)	TOOL No.		STD QTY/BOX
	C	H2	H1	L	W	T			PUMP	HEAD	
T 7	3	5.2	7.6	10.0	5.2	1.2	2	3.5~7	NH 25A	100	
T 11	5.0	7.3	10.3	12.0	6.2	1.6		7.5~11			
T 16		7.8	11.5	13.0	7.6	2.0		11.5~16			
T 20	5.1	8.6	12.8	13.0	9.7	2.9	1	14~20	NOP 120 (Hydraulic tool)		
T 26	6.9	10.2	14.7	16.0	11.4	3.2		21~26			
T 44	8.4	13.4	19.2	19.8	13.8	4.0	2	27~44			
T 60	9.7	15.8	21.0	21.8	15.0			45~60			
T 76	10.2	17.3	24.4		17.6	5.0	61~76				
T 98	13.2	20.0	27.5	25.0	19.2	5.5	2	77~98			
T 122	14.6	22.1	29.5	26.0	21.5			99~122			NP 520
T 154	15.5	24.6	33.2	27.6	23.4	6.0	3	123~154		NOM 3000 NOH 360	
T 190	20.3	28.8	37.5	35.0	25.7			155~190			30
T 240	20.2	31.0	41.0	40.0	29.0	7.0	3	191~240			
T 288	23.2	35.7	45.6	45.0	32.0			241~288	20		
T 365	23.3	37.0	47.5	50.0	35.0			289~365			
T 450	28.0	43.0	57.0	60.0	41.0	10.0	3	366~450	NOM 3000 NP 520		
T 560	31.0	46.0	62.0	65.0	45.0	11.0		451~560			5
T 700	34.0	51.0	68.0	70.0	49.5	12.0		561~700			

* See next page for Wire combinations.

CLAMP CONNECTORS



■ WIRE COMBINATIONS CHART (IV)

BRANCH WIRE mm ² MAIN WIRE mm ²	2 (1.6 φ)	3.5 (2.0 φ)	5.5	8	14	22	38	60	100	150	200	250	325
3.5 (2.0 φ)	7	7											
5.5	11	11	11										
8		16	16	16·20									
14	16·20	20	20	26	44								
22	26	26	44	44		44							
38	※ 44	※ 44	44	60	60	60	76						
60	※ 76	※ 76		76	76	76	98	98	122				
100	※ 122	※ 122	△ 122	122	122	122	154	190	240				
150	※ 154	※ 190	△ 190	△ 190	190	190	190	240	288	365			
200	※ 240	※ 240	△ 240	△ 240	240	240	240	288	365		365	450	
250			△ 288	△ 288	288	288	288	365	450	450	560	560	
325			△ 365	△ 365	△ 365	365	365	450	450	560	560	700	700
400							450	560	560	700	700		
500							560	700	700				
600							700	700					

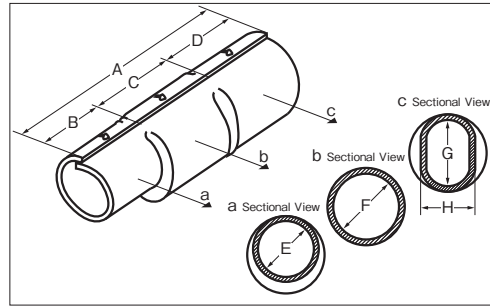
■ WIRE COMBINATIONS CHART (CV)

BRANCH WIRE mm ² MAIN WIRE mm ²	2 (1.6 φ)	3.5 (2.0 φ)	5.5	8	14	22	38	60	100	150	200	250	325
3.5 (2.0 φ)	7	7											
5.5	11	11	11										
8		16	16	20									
14	20	20	20	26	44								
22	26	26	26	26		44	44						
38			44	60	60	60	76						
60			76	76	76	98	98	122					
100				122	122	122	154	190	240				
150					190	190	190	240	288	365			
200					240	240	240	288	365		365	450	
250					288	288	288	365	450	450	560	560	
325					365	365	365	450	450	560	560	700	700
400							450	560	560	700	700		
500							560	700	700				
600							700	700					

NOTE

- 1) Figure in chart shows our P/N except prefix 'T'.
- 2) ※ combination, requires support wire (5.5mm²/6mm²/AWG12) due to big difference
- 3) △ combination, fold branch wire as a support wire.
- 4) Applicable tool,
 - NOP-120
 - NOH-360
 - NP-520
- 5) Above table is made according to JIS wire range. IEC wire is also applicable within a combined wire range. Contact us for further information.

CLAMP CONNECTOR COVERS



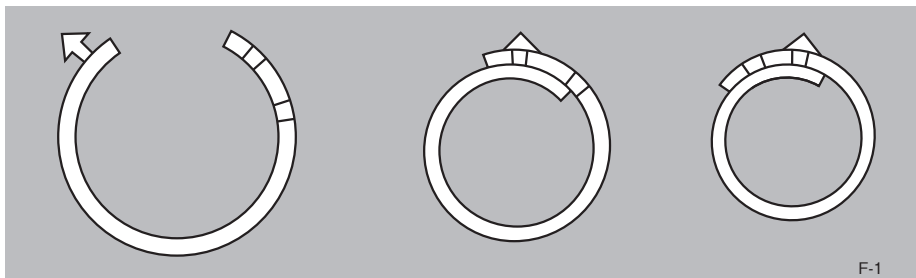
RoHS 10
See page 2

Unit mm

PART NUMBER	A	B	C	D	E	F	G	H	t	STD QTY/BAG
T 20C *	83	29	19	35	14	16.5	16.5	14	1.5~2.0	100
T 26C	85		21		16	18	18	16		
T 44C	89		25		20	22	22	20		
T 60C	93		29		21	25	25	21		
T 76C					23	27	27	23		
T 98C	100		31		40	24	29	29		
T 122C	103	34	31	31		31	24			
T 154C	106	31	37	50	24.8	33	33	24.5	50	
T 190C	127		45		28.5	35	35	28.5		
T 240C	144		50		32	38	38	32		
T 288C	148		55			40	40	40		32
T 365C	151	44	57	60	35.5	44	44	35.5	2~2.5	20
T 450C	175	50	65		39	52	59	39		
T 560C	190	55	70		42	56	67	42		
T 700C	205	60	75	70	45	62	72	45	10	

* T20C is a cover for P/N T11, T16 and T20

- **FEATURES :**
1. Quickly snaps on and off.
 2. For better fitting the O.D., use appropriate snap hole. (F- 1)



- **MATERIAL** : P.V.C.
 ■ **RATED TEMPERATURE** : 60°C
 ■ **COLOR** : Black

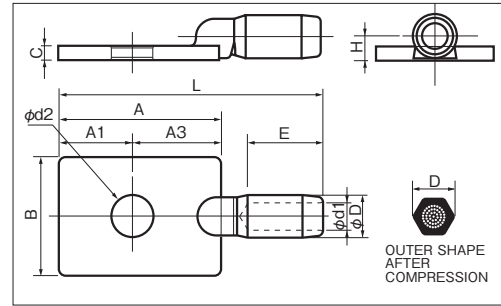
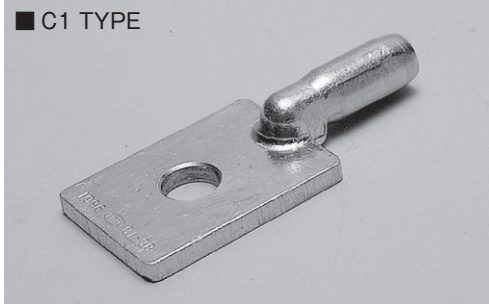
NOTE

- 1) Use in a box.
- 2) Not water tight.
- 3) For further fixation, wrap vinyl tape around the cable and cover.
- 4) NICHIFU designed covers.

COMPRESSION TERMINALS (For Hard-drawn copper stranded wire)

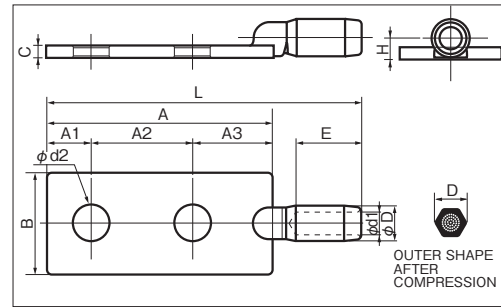
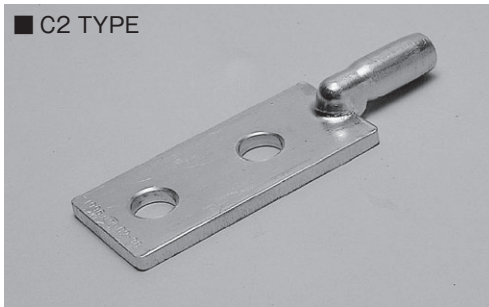
JIS C 2804

■ C1 TYPE



PART NUMBER	DIMENSIONS mm											BOLT SIZE	APPLIED WIRE		VERTEX DISTANCE OF HEXAGONAL DIES	TOOL No.		STD QTY/BOX
	φD	φd1	E	A	A1	A3	B	C	φd2	L	H		STRAND COMPOSITION Number of wires/mm	STRAND OUTER DIAMETER mm		PUMP	HEAD	
C1-14	14	5.2	26	55	25	30	40	5	14	90	8	M12×1	7/1.6	4.8	14	NOM 2500A NOM 3000	NP 520 NP 1000	3
C1-22 ◆		6.4											7/2.0	6.0				
C1-38 ◆		8.3											7/2.6	7.8				
C1-60 ◆		10.6											19/2.0	10.0				

■ C2 TYPE



PART NUMBER	DIMENSIONS mm											BOLT SIZE	APPLIED WIRE		VERTEX DISTANCE OF HEXAGONAL DIES	TOOL No.		STD QTY/BOX
	φD	φd1	E	A	A1	A2	A3	B	C	φd2	L		H	STRAND COMPOSITION Number of wires/mm		STRAND OUTER DIAMETER mm	PUMP	
C2-14	14	5.2	26	90	18	32	40	5	14	125	8	M12×2	7/1.6	4.8	14	NOM 2500A NOM 3000	NP 520 NP 1000	3
C2-22		6.4											7/2.0	6.0				
C2-38		8.3											7/2.6	7.8				
C2-55 ◆	19	10.2	30	110	45	50	10	6	14	135	11.0	M12×2	7/3.2	9.6	19	NOM 2500A NOM 3000	NP 520 NP 1000	3
C2-60 ◆		10.6											19/2.0	10.0				
C2-75 ◆	23	11.7	39	95	20	35	8	8	14	150	13.0	M12×2	7/3.7	11.1	23	NOM 2500A NOM 3000	NP 520 NP 1000	3
C2-100 ◆		13.6											19/2.6	13.0				
C2-125 ◆	26	15.2	44	110	45	50	10	10	14	170	16.0	M12×2	19/2.9	14.5	26	NOM 2500A NOM 3000	NP 520 NP 1000	3
C2-150 ◆	29	16.9											37/2.3	16.1				
C2-180 ◆	32	18.5	53	110	45	50	10	10	14	180	17.5	M12×2	19/3.5	17.5	32	NOM 2500A NOM 3000	NP 520 NP 1000	3
C2-200 ◆		19.5											37/2.6	18.2				
C2-240 ◆	36	21.0	62	115	45	50	10	10	14	207	20.5	M12×2	19/4.0	20.0	36	NOM 2500A NOM 3000	NP 520 NP 1000	3
C2-250 ◆	38	21.9											61/2.3	20.7				
C2-325	42	24.7	70	115	45	50	10	10	14	212	23.0	M12×2	61/2.6	23.4	42	NOM 2500A NOM 3000	NP 520 NP 1000	3
C2-400	47	27.4											61/2.9	26.1				
C2-500	47	30.2	70	115	45	50	10	10	14	222	25.5	M12×2	61/3.2	28.8	47	NOM 2500A NOM 3000	NP 520 NP 1000	3
													61/3.2	28.8				

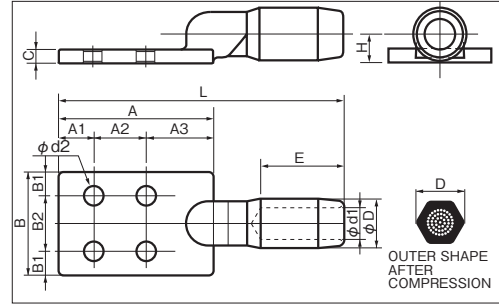
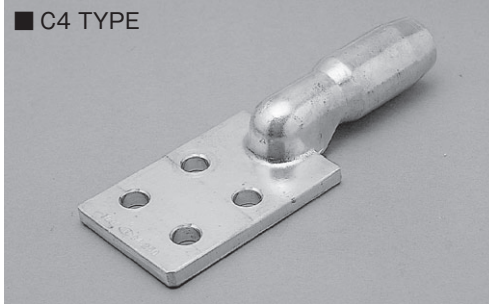
NOTE

- 1) Conductive face is tin lead plated.
- 2) ◆ : JIS
- 3) Special request can be made such as; without stud holes, all tin plated surface.
- 4) Special sizes are also available such as, for IEC wires.
- 5) Use strand with diameter of or over 1mm.
- 6) Do not use wires such as KIP, MLFC, LH, PNCT and PDP in JIS.

COMPRESSION TERMINALS (For Hard-drawn copper stranded wire)

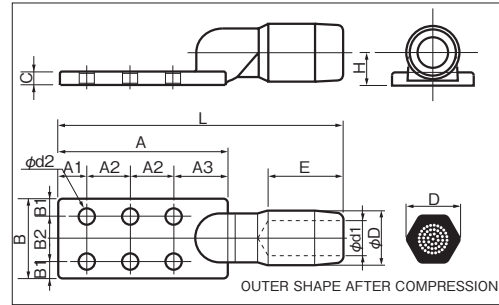
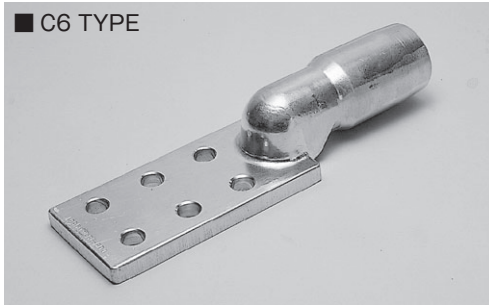
JIS C 2804

■ C4 TYPE



PART NUMBER	DIMENSIONS mm													BOLT SIZE	APPLIED WIRE		VERTEX DISTANCE OF HEXAGONAL DIES	TOOL No.		STD QTY/BOX									
	phi D	phi d1	E	A	A1	A2	A3	B	B1	B2	C	phi d2	L		H	STRAND COMPOSITION Number of wires/mm		STRAND OUTER DIAMETER mm	PUMP		HEAD								
C4-100	23	13.6	39										180	13	M12×4	19/2.6	13.0	23	NOM 2500A NOM 3000	NP 520 NP 1000	3								
C4-150	29	16.9	44										16			37/2.3	16.1	29											
C4-200	32	19.5	53										17.5	10		37/2.6	18.2	32											
C4-250	38	21.9	62	115	25	40	50	75	17.5	40			20.5	14		61/2.3	20.7	38											
C4-325	42	24.7											23.0																
C4-400	47	27.4	70																						222	12	61/2.9	26.1	47
C4-500	30.2												25.5													222	12	61/3.2	28.8

■ C6 TYPE



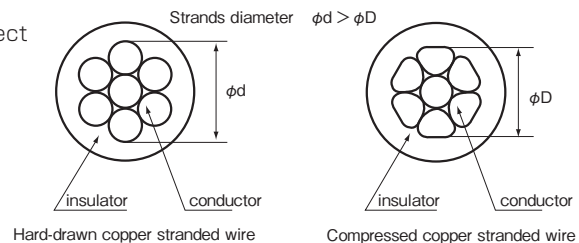
PART NUMBER	DIMENSIONS mm													BOLT SIZE	APPLIED WIRE		VERTEX DISTANCE OF HEXAGONAL DIES	TOOL No.		STD QTY/BOX									
	phi D	phi d1	E	A	A1	A2	A3	B	B1	B2	C	phi d2	L		H	STRAND COMPOSITION Number of wires/mm		STRAND OUTER DIAMETER mm	PUMP		HEAD								
C6-600	51	33.3	70	155	25	40	50	75	17.5	40		14	262	28.0	M16×6	91/2.9	31.9	51	NOM 2500A NOM 3000	NP 1000	1								
C6-725		36.7														91/3.2	35.2												
C6-800	56	38.0	90	190	30	50	60	100	25.0	50			325			127/2.8	36.4	56											
C6-850		39.3																							18		127/2.9	37.7	
C6-1000	64	43.2	100																						14		127/3.2	41.6	64

NOTE

- 1) Conductive face is tin lead plated.
- 2) ◆ : JIS
- 3) Special requests can be made such as; without stud holes, all tin plated surface.
- 4) Special sizes are also available such as, for IEC wires.
- 5) Use strand with diameter of or over 1 mm.
- 6) Do not use wires such as KIP, MLFC, LH, PNCT and PDP in JIS.

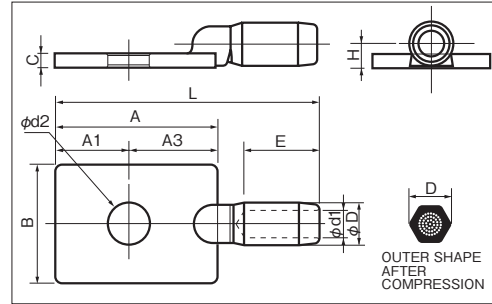
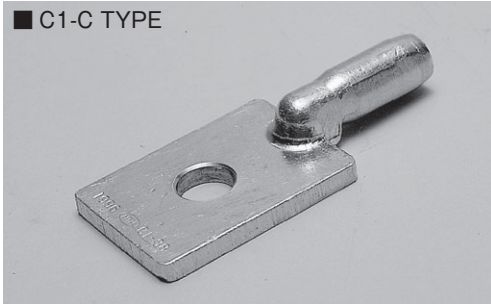
Remarks

Two standardized wire acceptance diameter phi d1 allows to select compression terminal easily.
Some diameters have same square mm.



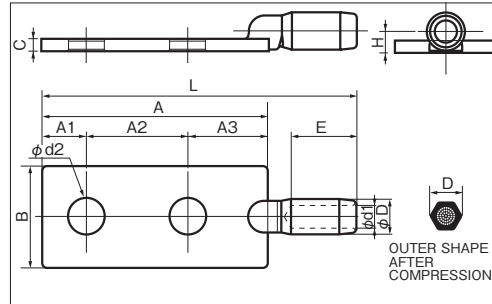
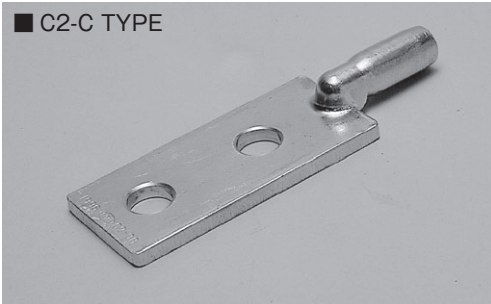
COMPRESSION TERMINALS (For Compressed copper stranded wire)

■ C1-C TYPE



PART NUMBER	DIMENSIONS mm											BOLT SIZE	APPLIED WIRE	VERTEX DISTANCE OF HEXAGONAL DIES	TOOL No.		STD QTY/BOX
	phi D	phi d1	E	A	A1	A3	B	C	phi d2	L	H		STRAND OUTER DIAMETER mm		PUMP	HEAD	
C1-14C	14	4.8	26	55	25	30	40	5	14	90	8	M12×1	4.4	14	NOM 2500A NOM 3000	NP 520 NP 1000	5
C1-22C		5.9											5.5				
C1-38C		7.8											7.3				
C1-60C	19	9.8	30							94	10.5		9.3	19			

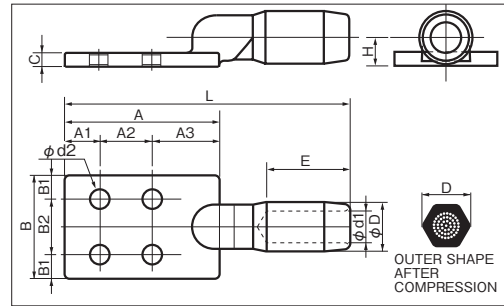
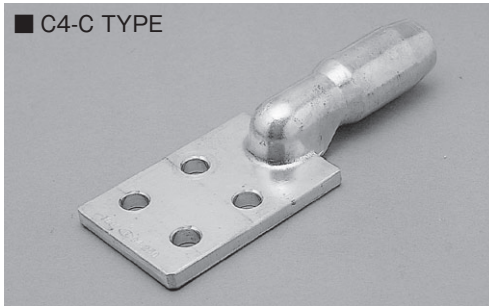
■ C2-C TYPE



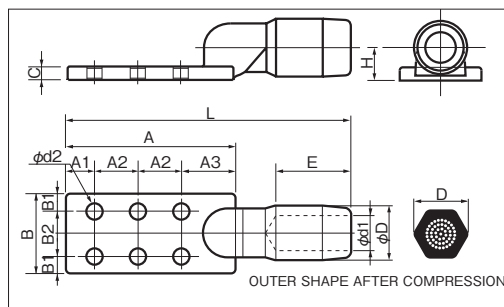
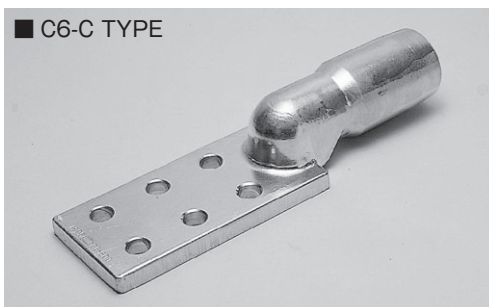
PART NUMBER	DIMENSIONS mm												BOLT SIZE	APPLIED WIRE	VERTEX DISTANCE OF HEXAGONAL DIES	TOOL No.		STD QTY/BOX
	phi D	phi d1	E	A	A1	A2	A3	B	C	phi d2	L	H		STRAND OUTER DIAMETER mm		PUMP	HEAD	
C2-14C	14	4.8	26	90	18	32	40	5	14	125	8	M12×2	4.4	14	NOM 2500A NOM 3000	NP 520 NP 1000	3	
C2-22C		5.9											5.5					
C2-38C		7.8											7.3					
C2-60C	19	9.8	30							135	11.0		9.3	19				
C2-100C	23	12.6	39	95	20	40	35	8	14	150	13.0	M12×2	12.0	23	NOM 2500A NOM 3000	NP 520 NP 1000	3	
C2-125C	26	14.1											14.5					
C2-150C	29	15.4	44	110	25	45	50	10	14	170	16.0	M12×2	14.7	29	NOM 2500A NOM 3000	NP 520 NP 1000	3	
C2-200C	32	17.9	53										17.5					
C2-240C	36	19.4	62										20.5					
C2-250C	38	19.9		21.7	38													
C2-325C	42	22.7	70	115	50	12	222	25.5	14	212	23.0	M12×2	21.7	42	NOM 2500A NOM 3000	NP 520 NP 1000	3	
C2-400C	47	25.2											24.1					47
C2-500C	47	28.0								222	25.5		26.9					

- NOTE
- 1) Conductive face is tin lead plated.
 - 2) Special requests can be made such as; without stud holes, all tin plated surface.
 - 3) Special sizes are also available such as , IEC wires.
 - 4) Use strand with diameter of or over 1mm.
 - 5) Do not use wires such as KIP, MLFC, LH, PNCT and PDP in JIS.

COMPRESSION TERMINALS (For Compressed copper stranded wire)



PART NUMBER	DIMENSIONS mm													BOLT SIZE	APPLIED WIRE	VERTEX DISTANCE OF HEXAGONAL DIES	TOOL No.		STD QTY./BOX	
	φD	φd1	E	A	A1	A2	A3	B	B1	B2	C	φd2	L		H		STRAND OUTER DIAMETER mm	PUMP		HEAD
C4-100C	23	12.6	39												M12×4	12.0	23	NOM 2500A NOM 3000	NP 520 NP 1000	3
C4-150C	29	15.4	44											16.0		29				
C4-200C	32	17.9	53											17.5		32				
C4-250C	38	19.9	62	115	25	40	50	75	17.5	40	10	14	212	20.5		38				
C4-325C	42	22.7												23.0		42				
C4-400C	47	25.2	70								12	222	25.5	24.1		47				
C4-500C		28.0		26.9																



PART NUMBER	DIMENSIONS mm													BOLT SIZE	APPLIED WIRE	VERTEX DISTANCE OF HEXAGONAL DIES	TOOL No.		STD QTY./BOX	
	φD	φd1	E	A	A1	A2	A3	B	B1	B2	C	φd2	L		H		STRAND OUTER DIAMETER mm	PUMP		HEAD
C6-600C	51	30.7	70	155	25	40	50	75	17.5	40		14	262	28.0	M12×6	29.5	51	NOM 2500A NOM 3000	NP 1000	1
C6-800C	56	35.3	90	190	30	50	60	100	25.0	50	12	18	325	30.5	M16×6	34.0	56			
C6-850C		35.6													35.1					
C6-1000C	64	39.4	100								14	335	34.5		38.0	64				

RoHS 10

■ SPECIAL LARGER SIZE [See page 2](#)

PART NUMBER	DIMENSIONS mm													BOLT SIZE	APPLIED WIRE	VERTEX DISTANCE OF HEXAGONAL DIES	TOOL No.		STD QTY./BOX	
	φD	φd1	E	A	A1	A2	A3	B	B1	B2	C	φd2	L		H		STRAND OUTER DIAMETER mm	PUMP		HEAD
C6-1200A-SN	69	43.3	90												M16×6	41.7	69	SMP3	SR-200M	1
C6-1400A-SN	76	46.7	95	200	30	50	70	100	25	50	20	18	365	40.0		45.0	76			
C6-1600A-SN		50.0	100													48.2				

NOTE

1) Above 3 part numbers are tin plated on entire surface.

SHUNT WIRES

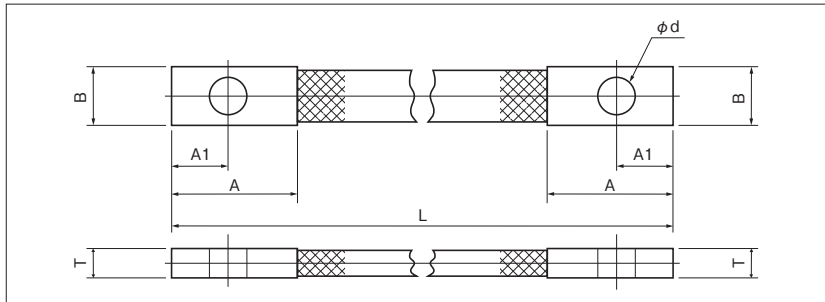
Shunt wires are applied to connections between electrical machines with vibration, stretch and bending. Shunt wire is manufactured by putting the end of a flat braided wire with a seamed high quality copper tube. They are then compressed and molded.

Ordering example

SA 1-200
 Length(L)
 * Insert desired length.
 Type

Manufacture upon request

SA TYPE



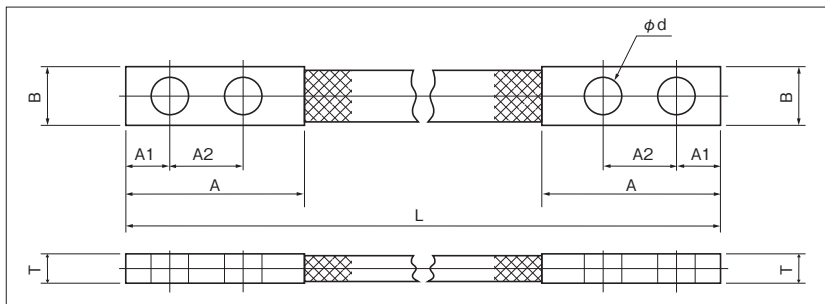
Standard
RoHS10
 See page 2

PART NUMBER	RATED CURRENT A	BRAIDED WIRE CROSS SECTIONAL AREA mm ²	DIMENSIONS mm					
			T	ϕd	STANDARD LENGTH L	B	A	A1
SA 1-L	67	8	2.9	10	200	16	18	8
SA 2-L	100	14				22	24	11
SA 3-L	150	28	3.9	12	200	25	45	20
SA 4-L	200	38	4.2					
SA 5-L	300	76	6.3					
SA 6-L	380	114	9.0					
SA 7-L	450	152	11.5					

NOTE

1) Thickness (T) is for reference.

SB TYPE



Standard
RoHS10
 See page 2

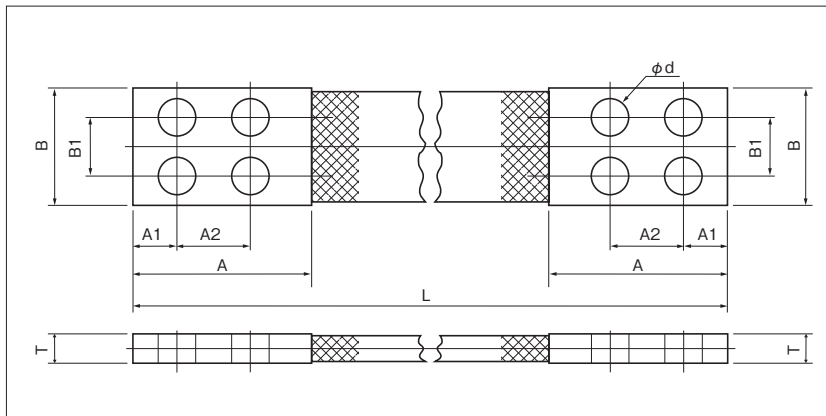
PART NUMBER	RATED CURRENT A	BRAIDED WIRE CROSS SECTIONAL AREA mm ²	DIMENSIONS mm						
			T	ϕd	STANDARD LENGTH L	B	A	A1	A2
SB 1-L	290	50	5.5	12	300	40	85	20	40
SB 2-L	410	100	7.2						
SB 3-L	520	150	8.9						
SB 4-L	580	200	10.5						
SB 5-L	690	250	12.8						
SB 6-L	770	300	13.8						
SB 7-L	450	100	6.5	14	330	50	95	25	40
SB 8-L	650	200	9.1						
SB 9-L	820	300	11.7						
SB 10-L	970	400	13.8						
SB 11-L	1100	500	16.5						
SB 12-L	1220	600	19.3						

NOTE

1) Thickness (T) is for reference.

SHUNT WIRES

SC TYPE



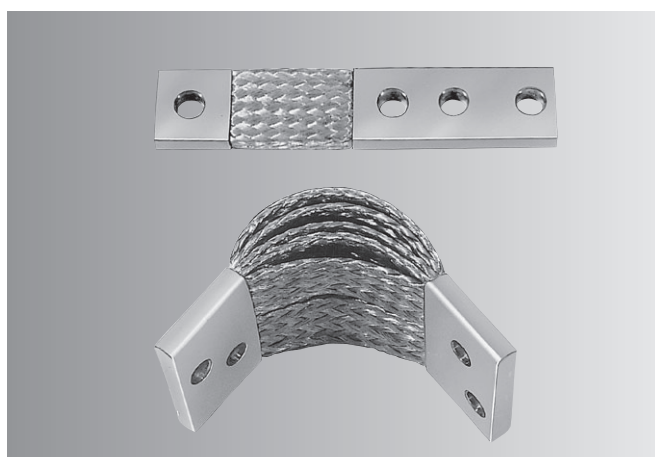
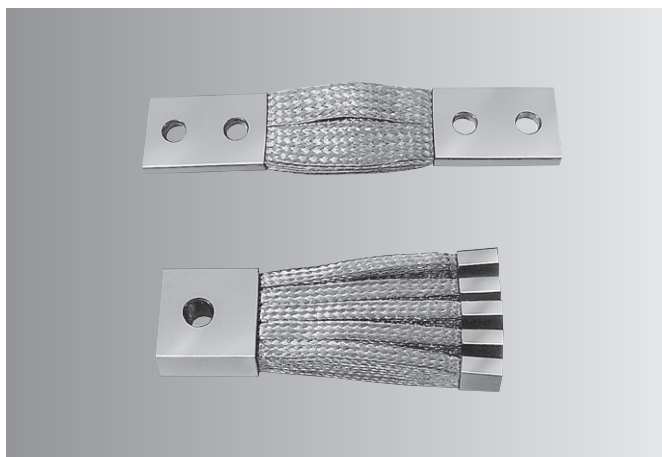
Standard
RoHS10
See page 2

PART NUMBER	RATED CURRENT A	BRAIDED WIRE CROSS SECTIONAL AREA mm ²	T	φd	DIMENSIONS mm					
					STANDARD LENGTH L	B	B1	A	A1	A2
SC 1-L	680	160	7.5	14	350	75	40	95	25	40
SC 2-L	760	200	8.5							
SC 3-L	860	250	9.3							
SC 4-L	940	300	10.5							
SC 5-L	1100	400	11.8							
SC 6-L	1240	500	13.1							
SC 7-L	1380	600	15.0							
SC 8-L	1630	800	18.5							
SC 9-L	1860	1000	20.7							
SC 10-L	2070	1200	25.3							
SC 11-L	860	200	8.0		400	100	50	105	25	50
SC 12-L	970	250	9.2							
SC 13-L	1060	300	9.5							
SC 14-L	1240	400	10.5							
SC 15-L	1380	500	12.0							
SC 16-L	1530	600	13.2							
SC 17-L	1800	800	15.5							
SC 18-L	2000	1000	18.0							
SC 19-L	2200	1250	21.0							
SC 20-L	2500	1500	24.3							
SC 21-L	2700	1600	25.5							
SC 22-L	2900	1800	28.5							

NOTE

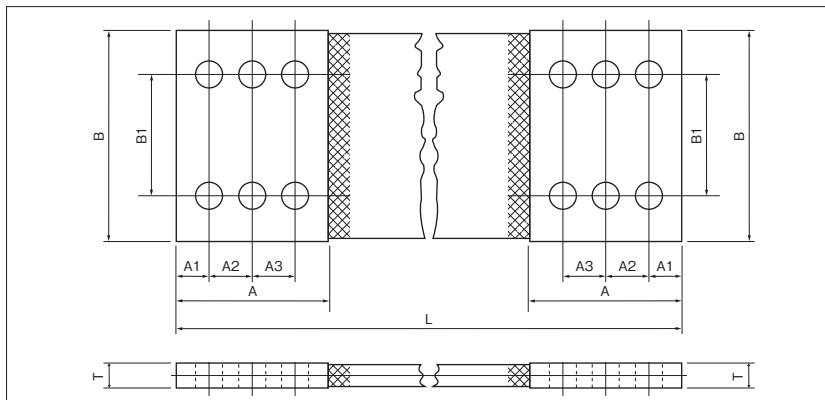
1) Thickness (T) is for reference.

Special ordered shunt wires are available upon request.



SHUNT WIRES

SD TYPE



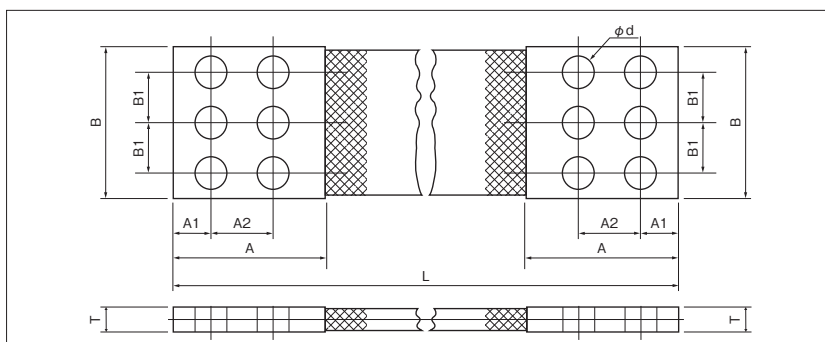
Standard

RoHS10

See page 2

PART NUMBER	RATED CURRENT A	BRAIDED WIRE CROSS SECTIONAL AREA mm ²	DIMENSIONS mm								
			T	ϕd	STANDARD LENGTH L	B	B1	A	A1	A2	A3
SD 1-L	3200	1800	25.2	14	400	120	60	125	25	40	40
SD 2-L	3450	2160	30.2								
SD 3-L	1460	400	10.0								
SD 4-L	1640	500	11.2								
SD 5-L	1800	600	12.0								
SD 6-L	2100	800	13.8								
SD 7-L	2350	1000	15.8								
SD 8-L	2600	1200	17.5								
SD 9-L	3000	1600	21.0								
SD 10-L	3400	2000	24.5								
SD 11-L	3600	2100	26.0								
SD 12-L	3800	2400	28.0								
SD 13-L	4000	2700	32.5								
SD 14-L	4100	2800	33.5								

SE TYPE



Standard

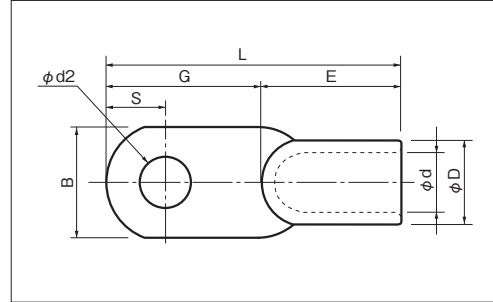
RoHS10

See page 2

PART NUMBER	RATED CURRENT A	BRAIDED WIRE CROSS SECTIONAL AREA mm ²	DIMENSIONS mm							
			T	ϕd	STANDARD LENGTH L	B	B1	A	A1	A2
SE 1-L	3200	1800	25.2	14	400	120	30	125	25	80
SE 2-L	3450	2160	30.2							
SE 3-L	1460	400	10.0							
SE 4-L	1640	500	11.2							
SE 5-L	1800	600	12.0							
SE 6-L	2100	800	13.8							
SE 7-L	2350	1000	15.8							
SE 8-L	2600	1200	17.5							
SE 9-L	3000	1600	21.0							
SE 10-L	3400	2000	24.5							
SE 11-L	3600	2100	26.0							
SE 12-L	3800	2400	28.0							
SE 13-L	4000	2700	32.5							
SE 14-L	4100	2800	33.5							

COPPER TUBE TERMINALS (D TYPE)

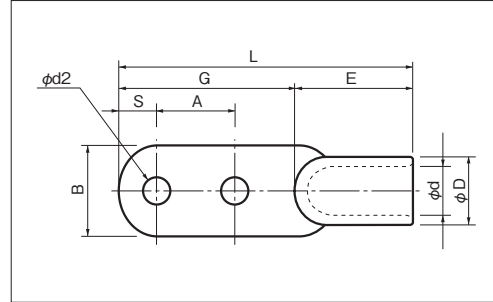
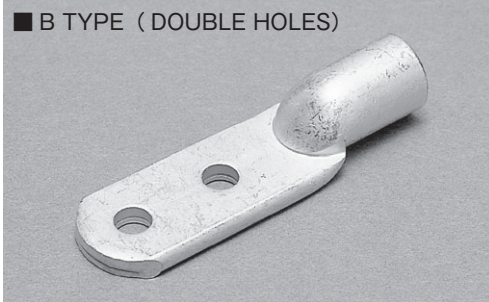
■ A TYPE (SINGLE HOLE)



RoHS 10
See page 2

PART NUMBER	DIMENSIONS mm								WIRE RANGE			TOOL No.		STD QTY/BOX
	$\phi d2$	B	L	S	G	E	ϕD	ϕd	SOLID mm	STRANDED mm ²	AWG MCM	HAND	HYDRAULIC TOOL/HEAD No.	
D 8A	5.3	9.5	26.0	7.0	14.0	12.0	7.0	4.5	2.89~3.65	6.64~10.52	8	NH 1 NH 9 NA 20 NOP 60, NOM 60 NOM 150, NOP 150HA NOH 300K		200
D 14A	6.4	12.0	34.0	8.0	18.0	16.0	8.9	5.8		10.52~16.78	6			100
D 22A	8.4	15.5	39.0	9.0	20.0	19.0	11.1	7.7		16.78~26.66	4			50
D 38A		18.5	49.0	10.0	25.0	24.0	13.2	9.4		26.66~42.42	2			25
D 60A	11.0	21.5	59.0	13.0	30.0	29.0	15.3	11.4		42.42~60.57	1/0			10
D 70A		25.0	65.0		33.0	32.0	17.5	13.3		60.57~76.28	2/0			5
D 80A	13.0	27.5	80.0	14.0	43.0	37.0	19.5	14.5		76.28~96.3	3/0			5
D 100A		31.0	95.0	17.0	50.0	45.0	22.1	16.4		96.3~117.2	4/0			5
D 150A		37.0	113.0	21.0	60.0	53.0	26.4	19.5		117.2~152.05	250~300MCM			5
D 180A	40.0	124.0	64.0		60.0	28.5	21.0		152.05~192.6	300~350MCM	5			
D 200A	15.0	45.5	130.0	21.0	67.0	63.0	32.4	24.0		192.6~242.27	400MCM	5		
D 325A		53.0	143.0		70.0	73.0	37.0	28.0		242.27~325	500~600MCM	5		

■ B TYPE (DOUBLE HOLES)



RoHS 10
See page 2

PART NUMBER	DIMENSIONS mm								WIRE RANGE			TOOL No.		STD QTY/BOX					
	$\phi d2$	B	L	S	A	G	E	ϕD	ϕd	SOLID mm	STRANDED mm ²	AWG MCM	HAND		HYDRAULIC TOOL/HEAD No.				
D 8B	4.5	9.5	36.0	5.0	12.0	24.0	12.0	7.0	4.5	2.89~3.65	6.64~10.52	8	NH 1 NH 9 NA 20 NOP 60, NOM 60 NOM 150, NOP 150HA NOH 300K		100				
D 14B		12.0	43.0	6.0		27.0	16.0	8.9	5.8								10.52~16.78	6	
D 22B	5.5	15.5	51.0	8.0	16.0	32.0	19.0	11.1	7.7								16.78~26.66	4	50
D 38B		18.5	60.0	36.0		24.0	13.2	9.4								26.66~42.42	2		
D 60B	11.0	21.5	88.0	11.0	32.0	59.0	29.0	15.3	11.4								42.42~60.57	1/0	30
D 70B		25.0	92.0	60.0		32.0	17.5	13.3								60.57~76.28	2/0		
D 80B	13.0	27.5	99.0	14.0	40.0	62.0	37.0	19.5	14.5								76.28~96.3	3/0	25
D 100B		31.0	108.0	63.0		45.0	22.1	16.4								96.3~117.2	4/0		
D 150B		37.0	130.0	77.0		53.0	26.4	19.5								117.2~152.05	250~300MCM		
D 180B	14.0	40.0	138.0	22.0	40.0	78.0	60.0	28.5	21.0								152.05~192.6	300~350MCM	10
D 200B		45.5	145.0			82.0	63.0	32.4	24.0		192.6~242.27	400MCM							
D 325B	53.0	158.0	85.0	73.0	37.0	28.4		242.27~325	500~600MCM	10									

- Anti-vibration and anti-dust design.
- Crimp type
- Available without stud hole upon your request.
- To crimp D8-A & D8-B requires optional dies for pneumatic crimping tool, NA20.

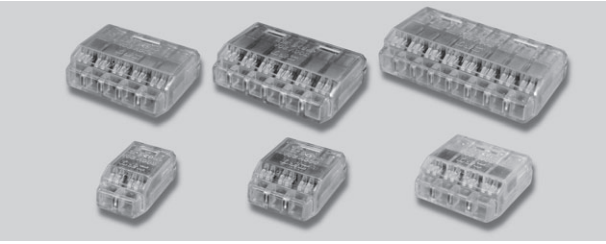


INSPECTION HOLE (WINDOW) ON THE BARREL

Contact us for production lot quantity, lead time, price or any other information.

QUICK LOCKS

■ QLX Series



RoHS10

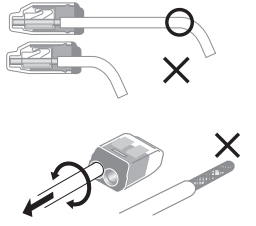
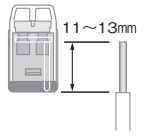
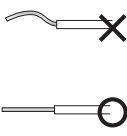
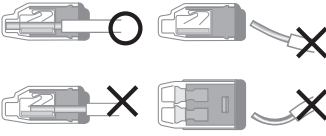
See page 2

FOR SAFETY USE

Please observe instructions to prevent over heat and possible fire.

- For use within an indoor wiring box.
- Do not use below area.
 - * High temperature, High humidity, water splash area.
 - * Strong alkali like under ammonia, organic solvent atmosphere.

Instructions

<ul style="list-style-type: none"> ● Strip the wire to the proper length using the gauge on QLX connector. 	<ul style="list-style-type: none"> ● Straighten wire. 	<ul style="list-style-type: none"> ● Insert wire straight to the end. ● Insufficient insertion causes over-heating. 	<ul style="list-style-type: none"> ● Do not bend wire immediately after the QLX connector. ● To remove wire: Pull wire while twisting wire and pull as shown. ● Do not reuse pulled wire! Cut off the used wire end and strip insulation for reconnection. 	
				

PART NUMBER	POLE	DIMENSIONS (mm)			RATINGS	STD QTY/BOX	APPLIED WIRE	COLOR
		LENGTH	WIDTH	HEIGHT				
QLX 2	2	20.5	11.6	9.1	20A 300V	50	COPPER/ SOLID WIRE φ1.6mm ∩ φ2.0mm	RED
QLX 3	3		16.2					BLUE
QLX 4	4		20.8					YELLOW
QLX 5	5		25.4					ORANGE
QLX 6	6		30.0					PURPLE
QLX 8	8		39.2					GREEN

- Use Pin terminal to connect with stranded wire.
See page 28 & 34 for TC1.25-18S-ST(CAP VC1.25) TC2-18-ST(CAP VC2).
- 1.5mm² and 2.5mm² are available for VDE standard.

Quick Locks for solid copper wires. Make indoor wiring by inserting stripped solid copper wires.

FEATURES

- Reliable, double contacts for higher reliability.
- Simply strip and insert for instant connection.
- Clear translucent housing enables visual inspection of correct wire installation.
- Waved copper contact for easier insertion of wire.

SPECIFICATION

- Material Spring : Stainless Steel
Connector contact : Oxygen free copper (Tin plated)
Housing : Polycarbonate (UL94V2)

STANDARDS

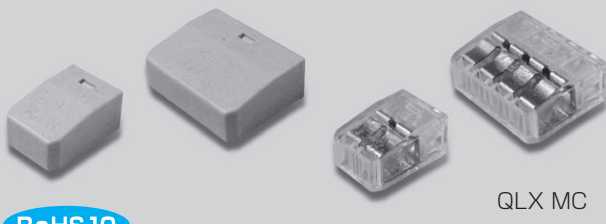
- JIS C2813
- UL
- VDE



QUICK LOCKS

■ QLX SQ · QLX MC Series

QLX SQ, High-Temp connector for wiring on fire detector.



RoHS10

See page 2

QLX MC

FEATURES

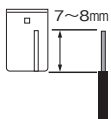
- QLX SQ surpass the temperature rise test to 380°C in 15 minutes. (Japan Fire Department requirement)
- Reliable, double contacts.

SPECIFICATION

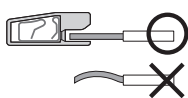
- Material
Contact: Copper alloy
Housing: QLX MC Polycarbonate, QLX SQ Liquid-crystal polymer

Instructions

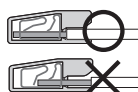
- Strip the wire to the proper length using the gauge on QLX SQ-QLX MC connector.



- Straighten wire.



- Insert wire straight to the end.



⚠ CAUTION

Do not reuse QLX SQ&QLX MC

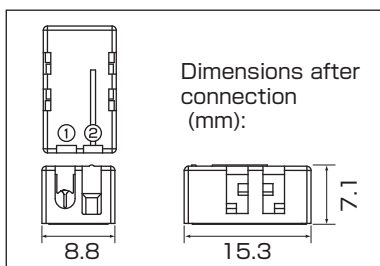


PART NUMBER	POLE	DIMENSIONS (mm)			RATINGS	STD QTY/BOX	APPLIED WIRE	COLOR
		LENGTH	WIDTH	HEIGHT				
QLX SQ-2	2	15.0	8.2	5.8	5A(MAX) 100V	COPPER/ SOLID WIRE φ 0.9~1.2mm	Beige	
QLX SQ-4	4		15.4				RED CLEAR	
QLX MC-2	2		8.2				YELLOW CLEAR	
QLX MC-4	4		15.4					

DISPLACEMENT CONNECTORS (CLOSED END TYPE)

RoHS10

See page 2



Part number NDE 0512

Features

- Connection between stranded wire (①) and solid wire (②)
- Stranded wires can be easily connected by pliers.

Specifications

- Applicable wires (Annealed copper wire / Flexible PVC wire)
Stranded wires: 0.2~0.5mm² (AWG24-20) / Insulation (Max outer dia. 1.9mm) Solid wires: φ0.9mm·φ1.2mm / Insulation (Max outer dia.1.8mm)
- Rated value
Rated voltage (AC/DC): 100V
Rated current: 5A(MAX)
Highest applicable temperature: 120°C
Operation temperature range: 0°C~40°C
- Material
Contact : Tin plated copper alloy
Housing / Cover : Polycarbonate
Color : Housing (translucent) Cover (yellow translucent)
- Package : 100pcs

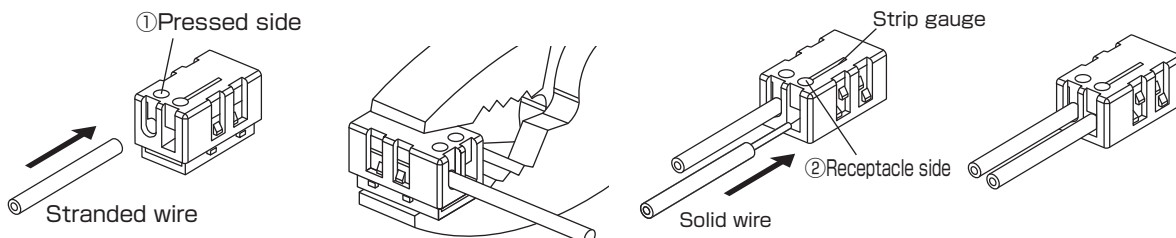
How to Connect

1. Fully insert stranded wire into the connector without stripping the insulation.

2. Press by using pliers. Confirm the cover is completely locked.

3. Strip the insulation of solid wire to the length referring to the strip gauge. Afterwards, fully insert into the hole on the receptacle side.

4. Connection completed



⚠ Note: Reconnection is not possible.

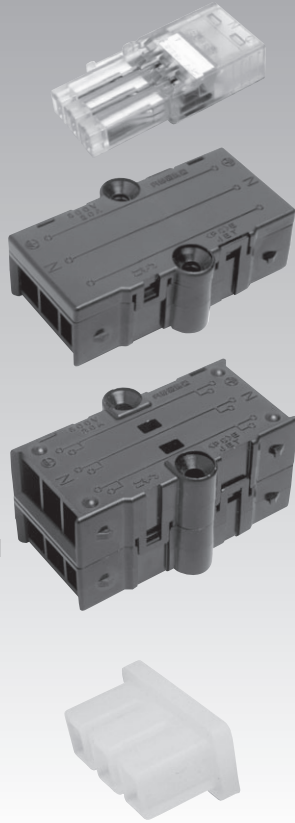
PLUG JOINT CONNECTORS

PLUG CONNECTOR
NPJ P01-3P

TERMINAL BLOCK
■LINE CONNECTION
NPJ B01-3P

■DOUBLE LINE CONNECTION
NPJ B02-3P

■Unti-dust cover
NPJ B-3PD



Features

Simple & Easy Connection - Just plug into the terminal block for simple indoor electrical wiring.

Simple & Easy Re-wiring - Change the terminal block for single line or double line connections.

Reusable Plug - Terminal Block - The plug and terminal block are reusable. To take off the wires, press the lock release lever using a flathead screw driver on the plug.

Safety Design - This product is designed with safety in mind.

Sure Connection / Wiring - To prevent improper connections, the plug and terminal block have correct mating mechanisms. Transparent plug housing ensures easy visual inspection for proper polarity.

No Junction Box Required - This product is approved by the Japanese Electrical Appliance and Material Safety laws without having to use a Junction Box.

The Attachments Allow Stranded Wire Connection With the Plug - Using the cover and the pin terminals, the plug will accept stranded wire.

SPECIFICATION

■PLUG

Rated current	: 20A
Rated voltage	: 300V
Housing material	: Polycarbonate (UL94V-0)
Color	: Plug connector (transparent)
	: Terminal block (black)
Contact material	: Tinplated brass
Insulator Temperature	: -40°C~+110°C

■VCTF cover

Material : polypropylene (transparent)

■Unti-dust cover

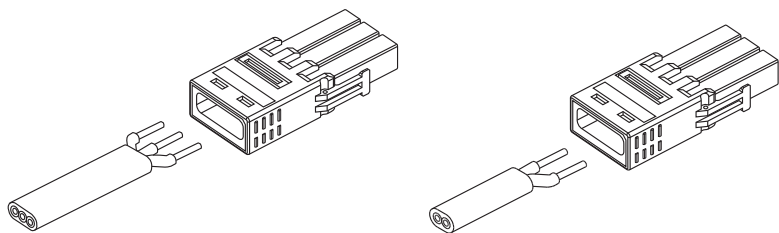
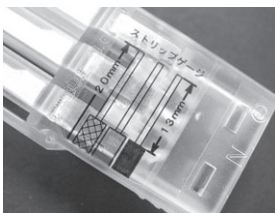
Material : Silicon

RoHS10

See page 2

■SOLID WIRE CONNECTION (φ1.6・φ2.0mm)

Strip solid wire then fitting to the Strip - Gauge on PLUG CONNECTOR and insert into the PLUG CONNECTOR

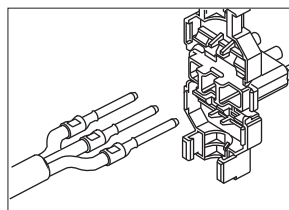


■STRANDED WIRE CONNECTION

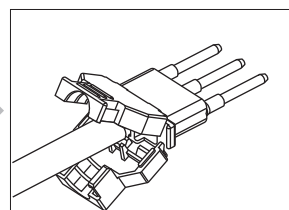
Using the VCTF-Cover and the Pin-Terminals, the PLUG CONNECTOR accepts stranded wire.



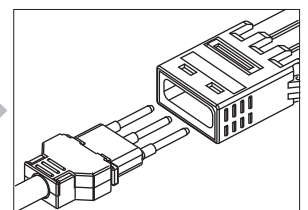
VCTF Cover



Crimp the Pin terminal



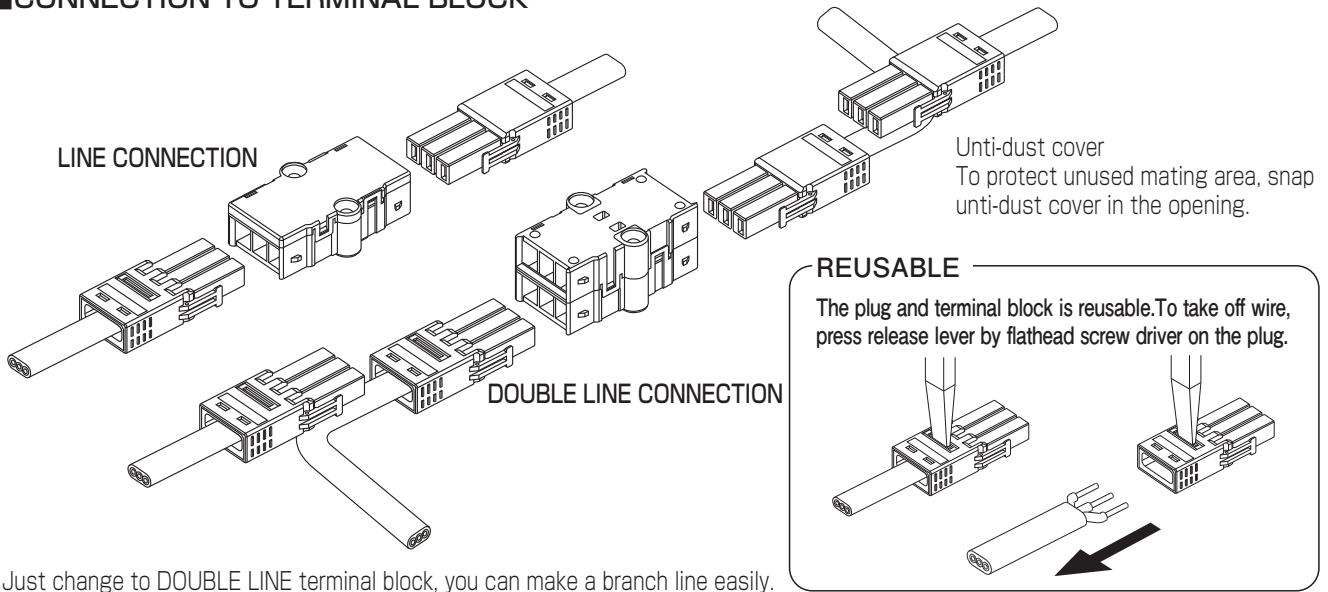
Fitting in the VCTF cover



Insert into the PLUG CONNECTOR

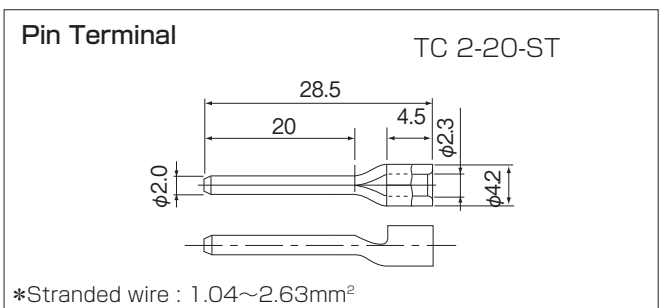
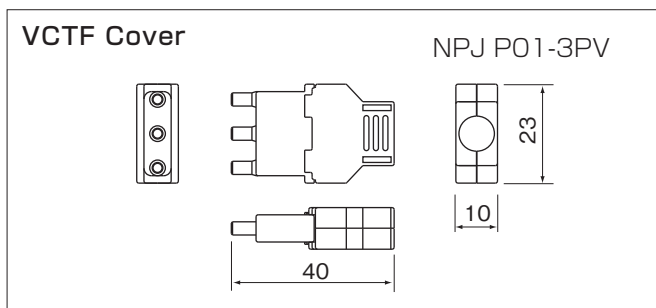
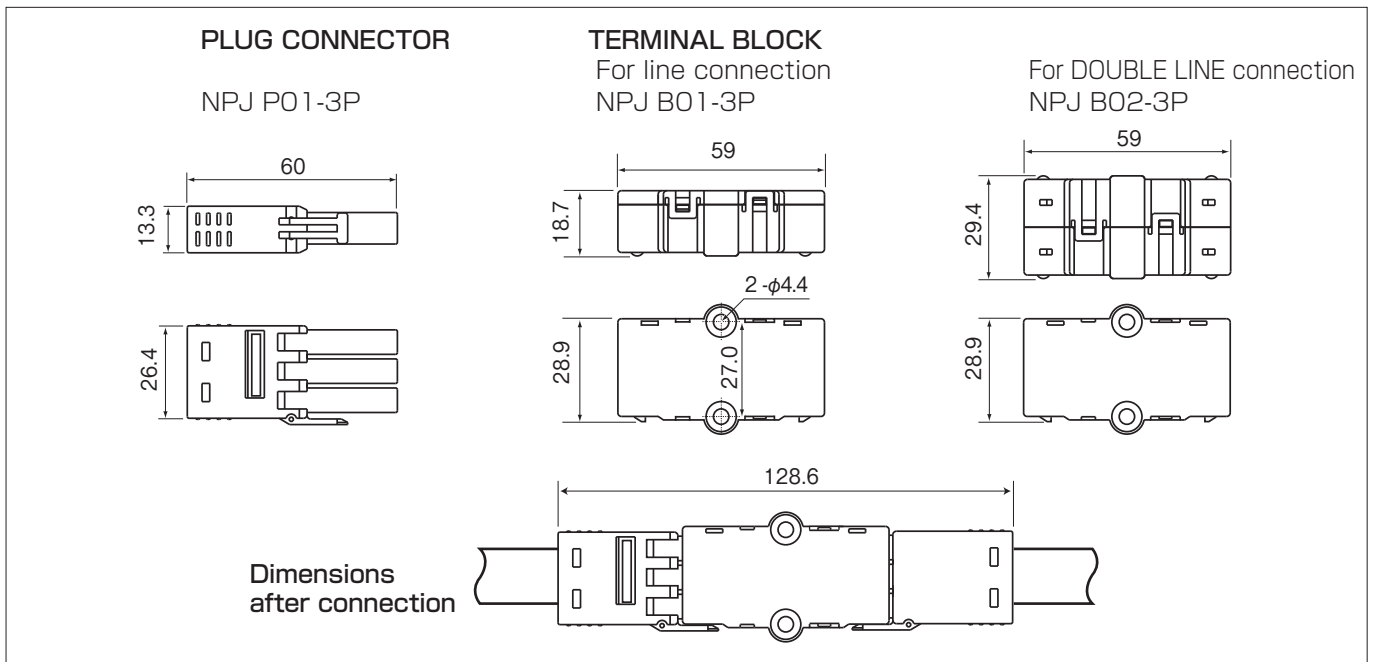
PLUG JOINT CONNECTORS

CONNECTION TO TERMINAL BLOCK



Just change to DOUBLE LINE terminal block, you can make a branch line easily.

DIMENSIONS

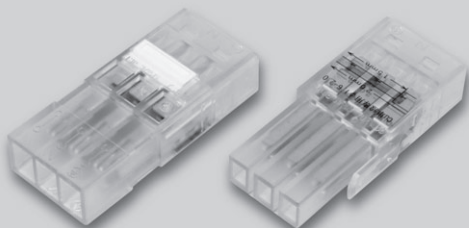


PACKAGE

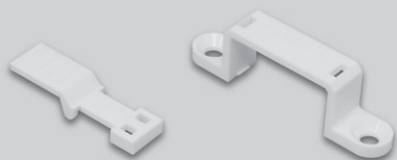
N A M E	PART No.	QTY
PLUG CONNECTOR	NPJ P01-3P	20pcs
TERMINAL BLOCK, LINE CONNECTION	NPJ B01-3P	10pcs
TERMINAL BLOCK, DOUBLE LINE CONNECTION	NPJ B02-3P	5pcs
Kit of VCTF cover & Pin terminal	NPJ 3PV-S	(20pcs/60pcs)
Anti-dust cover	NPJB-3PD	5pcs

MINI PLUG JOINT CONNECTORS

RECEPTACLE CONNECTOR M



PLUG CONNECTOR M



QUICK LEVER M

CONNECTOR HOLD M

FEATURES

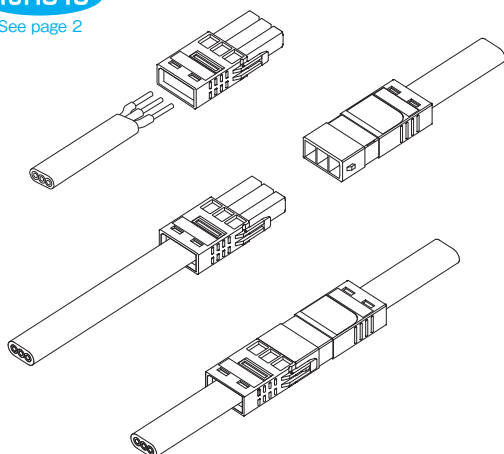
- **Simple & Easy Connection** - Just plug into the connector for simple indoor electrical wiring.
- **Save Space** - Smaller Mini-Plug Joint Connector to fit tight space area.
- **Secure Connection / Wiring** - To prevent improper connections, the plug and receptacle have correct mating mechanisms.
- **Reuseable Plug / Receptacle Connectors** - The plug and receptacle are reuseable. To extract wires, press the lock release lever.

SPECIFICATION

- Mini Plug Joint Connector
- Rated current : 20 A
- Rated voltage : 300 V
- Housing material(Connector, Quick Lever, Connector Hold)
: Polycarbonate(Flame retardance UL94V-0)
- Contact material : Tin plated copper alloy
- Insulator temperature : -40°C~120°C

RoHS 10

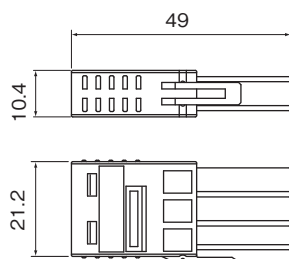
See page 2



DIMENSIONS

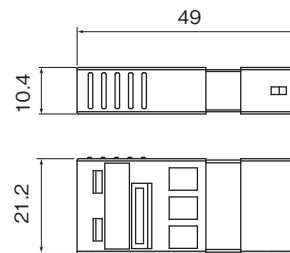
PLUG CONNECTOR M

NPJM P01-3P



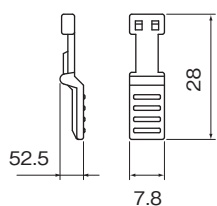
RECEPTACLE CONNECTOR M

NPJM R01-3P



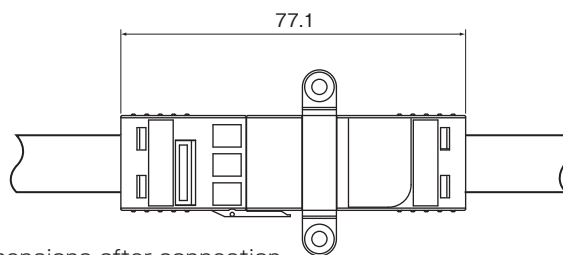
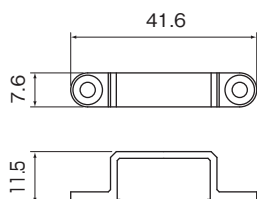
QUICK LEVER M

NPJM P-QL



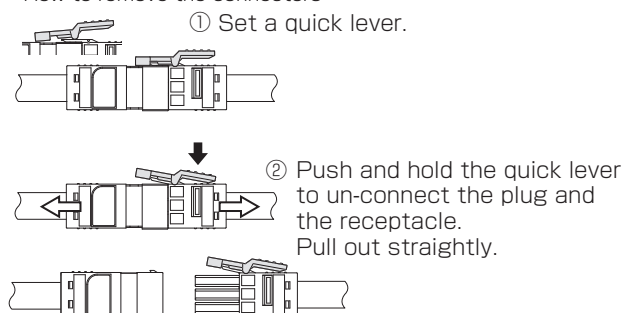
CONNECTOR HOLD M

NPJM R-CH



Dimensions after connection

How to remove the connectors

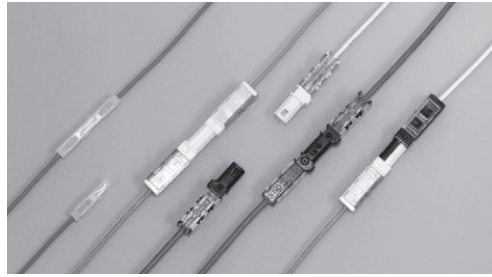


Part Name	Part Number	Package Quantity
Plug Connector M	NPJM P01-3P	20pcs
Receptacle Connector M	NPJM R01-3P	20pcs
Quick Lever M	NPJM P-QL	20pcs
Connector Hold M	NPJM R-CH	20pcs

WIRE TO WIRE IDC NDC SERIES

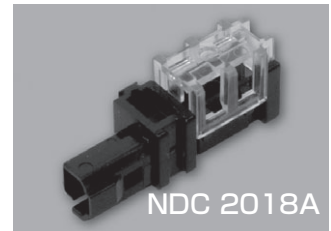
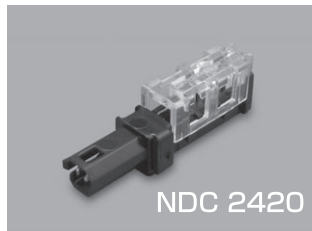
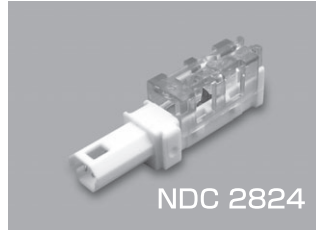
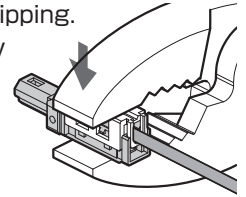


RoHS 10
See page 2



FEATURES

- Simple structure for single connection.
- No need of wire stripping.
- Easy connection by using pliers.

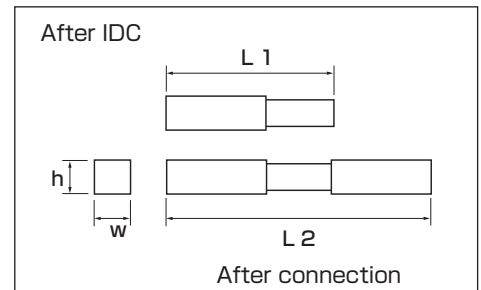


●Applicable wire size(Annealed copper wire plasticized)

		NDC 3026	NDC 2824	NDC 2420	NDC 2018A
Wire size	Stranded	0.05~0.13mm ² AWG30-26	0.08~0.2mm ² AWG28-24	0.2~0.5mm ² AWG24-20	0.5~0.75mm ² AWG20-18
	Solid	φ 0.25~0.4mm	φ 0.4~0.5mm	φ 0.65mm	—
Max. wire outside diameter		φ 1.3mm	φ 1.6mm	φ 2.1mm	φ 2.8mm

●Rating/Material

	NDC 3026	NDC 2824	NDC 2420	NDC 2018A
Current	AWG30-28(2A)	AWG 28-26(1A)	AWG24-22(2A)	AWG20(6A)
	AWG26(3A)	AWG24(2A)	AWG20(3A)	AWG18(8A)
Voltage	100V			300V
Insulation Maximum Operating Temperature	105°C	120°C		
Working Temperature Range	0°C~40°C			
Housing	Nylon (Milky White)	Polycarbonate (White)	Polycarbonate (Black)	Polycarbonate (Black)
Cover	—	Polycarbonate (Blue translucent)	Polycarbonate (Yellow translucent)	Polycarbonate (Green translucent)
Contact	Pre-tin plated phosphor bronze			Tin plated copper alloy
Connecting plate	—	Polycarbonate(White)		—
Standard	—	UL / VDE		—



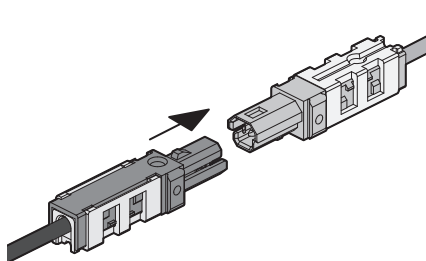
	DIMENSION(mm)			
	L1	L2	w	h
NDC 3026	16.5	27.7	3.2	3.0
NDC 2824	25.9	44.0	5.8	6.4
NDC 2420	25.9	44.0	5.8	6.4
NDC 2018A	26.0	43.2	7.8	8.5

●Package quantity

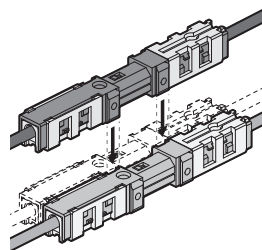
Connector	200pcs.(20pcs.×10)
Connecting plate (NDC 2420-J)	100pcs.(10pcs.×10)

●Recommended pliers (JIS B 4614 150)

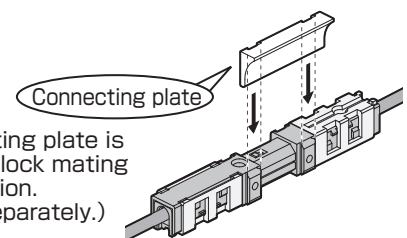
Multiple connection is possible. (The following illustration is NDC 2824/2420.)



Rotate connector at 180° to make connection (NDC3026/2824/2420)



After the Insulation displacement connection, connectors can be attached by sliding them along each guide rail.



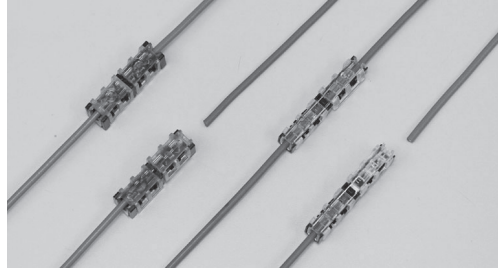
Connecting plate is used to lock mating connection. (Sold separately.)

WIRE TO WIRE IDC NDC SERIES



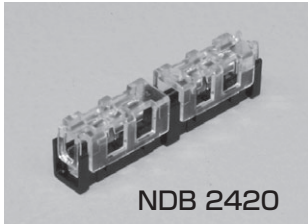
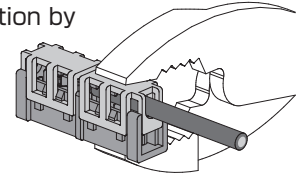
RoHS 10

See page 2

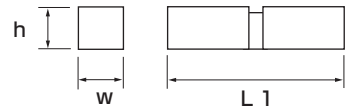


FEATURES

- No need of wire stripping.
- Easy connection by using pliers.



After IDC



●Applicable wire size(Annealed copper wire plasticized)

		NDB 2420	NDB 2018
Wire size	Stranded	0.2~0.5mm ² AWG 24-20	0.5~0.75mm ² AWG 20-18
	Solid	φ 0.65mm	—
Max. wire outside diameter		φ 2.1mm	φ 2.8mm

	DIMENSION(mm)		
	L1	w	h
NDB 2420	30.8	5.6	5.8
NDB 2018	25.2	7.5	7.8

●Rating/Material

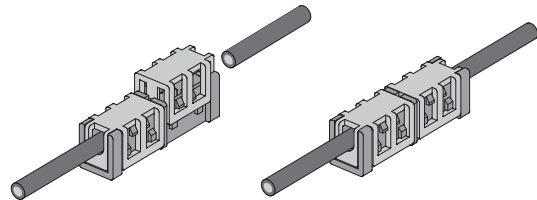
	NDB 2420	NDB 2018
Current	AWG 24-22 (2A)	AWG 20 (6A)
	AWG 20 (3A)	AWG 18 (8A)
Voltage	100V	300V
Insulation Maximum Operating Temperature	120°C	
Working Temperature Range	0°C~40°C	
Housing	Polycarbonate(Black)	
Cover	Polycarbonate (Yellow translucent)	Polycarbonate (Green translucent)
Contact	Pre-tin plated phosphor bronze	

●Package quantity

NDB 2420	100pcs.(10pcs.×10)
NDB 2018	

●Recommended pliers (JIS B 4614 150)

NDB 2018



Insert the wire for insulation displacement connection.
Note) Press down the cover.

*NDC TOOL(Hand tool for NDC series) is recommended for clamping.

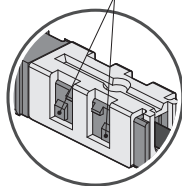
Remarks

Indoor use only.

IDC contact is not reusable.

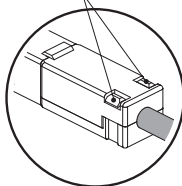
- Confirm correct lockage.

Total 4 locking positions on each side.



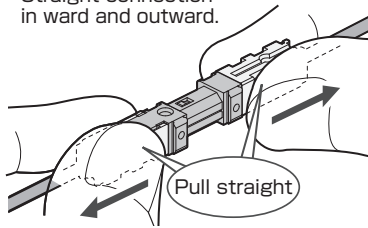
NDB 2824 · 2420 · 2018A

Total 2 locking positions on each side.



NDC 3026

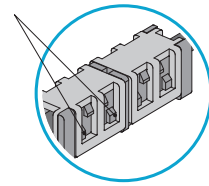
- Straight connection in ward and outward.



(Pull straight)

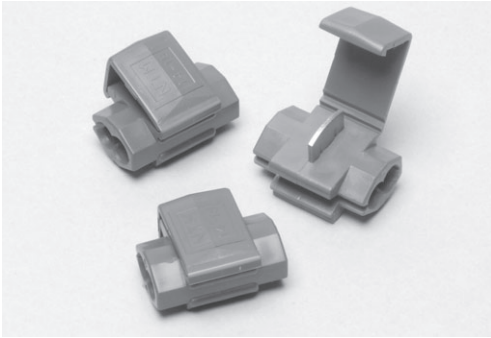
NDB Series

- Confirm correct lockage.
- Total 8 locking positions on each side.



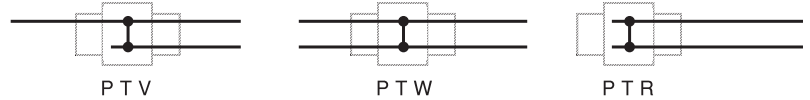
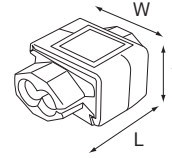
PLIER TAP CONNECTORS For appliance electrical wiring

PT CONNECTORS



SPECIFICATION

- MATERIAL Contact : Brass (Tin plated)
Body : Polypropylene
- RATED VOLTAGE 600V
- RATED CURRENT 7A (0.9mm²)
15A (2.0mm²)
- RATED TEMPERATURE 105°C (MAX)



RoHS 10

See page 2

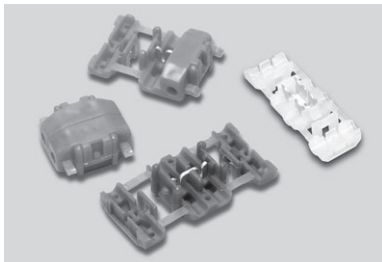
PART NUMBER	Nominal Size mm ²	Type of branch	DIMENSIONS mm			WIRE RANGE			Max. Wire O.D. φ	STD COLOR	STD QTY/BOX	
			L	W	t	SOLID mm	STRANDED mm ²	AWG				
PT V-09	0.9	1branch	20.0	15.6	10.0	0.65~1.0	0.5~0.9	20-18	3.05	RED	100	
PT V-20	2.0					1.0~1.6	1.25~2.0	16-14	3.68	BLUE		
PT W-09	0.9	2branch				0.65~1.0	0.5~0.9	20-18	3.05	RED		100
PT W-20	2.0					1.0~1.6	1.25~2.0	16-14	3.68	BLUE		
PT R-09	0.9	Ends				0.65~1.0	0.5~0.9	20-18	3.05	RED		100
PT R-20	2.0					1.0~1.6	1.25~2.0	16-14	3.68	BLUE		

NOTE

For stranded wire, diameter of the strand must be larger than 0.32mm. Insulation of the wire should be PVC.
Plier tap connector is not suitable for certain electric wiring. Contact us for further information.

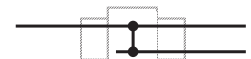
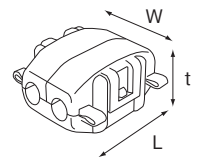


SPTV CONNECTORS



SPECIFICATION

- MATERIAL Contact : Brass (Tin plated)
Body : SPTV05(Nylon)
SPTV09 · 20(Polypropylene)
- RATED VOLTAGE SPTV 05 : 50V
SPTV 09 · 20 : 300V
- RATED CURRENT SPTV 05 : 3A
SPTV 09 · 20 : 5A (0.85 mm²) · 10A (2.0 mm²)
- RATED TEMPERATURE SPTV05 : 105°C
SPTV09 · 20 : 75°C



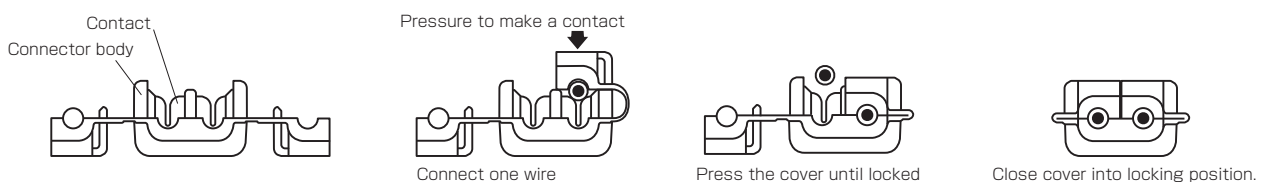
RoHS 10

See page 2

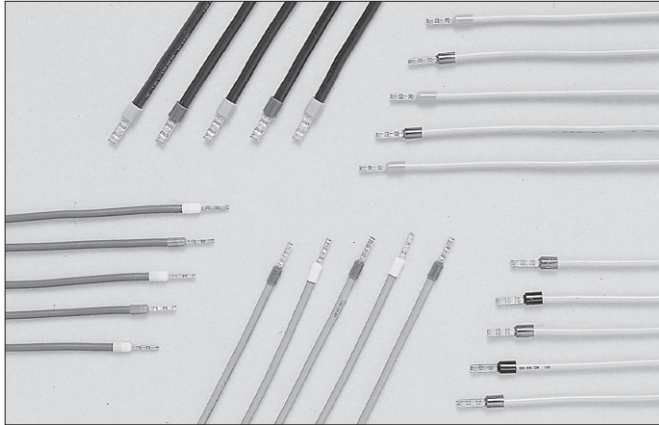
PART NUMBER	Nominal Size mm ²	Type of branch	DIMENSIONS mm			WIRE RANGE			Max. Wire O.D. φ	STD COLOR	STD QTY/BOX
			L	W	t	SOLID mm	STRANDED mm ²	AWG			
SPTV 05	0.5	1branch	11.0	15.0	7.0	—	0.2~0.5	24-20	1.4~1.8	WHITE	100
SPTV 09	0.9		18.0	19.5	10.0	0.8~1.0	0.5~0.85	20-18	1.5~2.8	RED	
SPTV 20	2.0		1.2~1.6	1.25~2.0	16-14	2.0~3.4	BLUE				

NOTE

For stranded wire, diameter of the strand must be larger than 0.32mm. Insulation of the wire should be PVC.
Plier tap connector is not suitable for certain electric wiring. Contact us for further information.



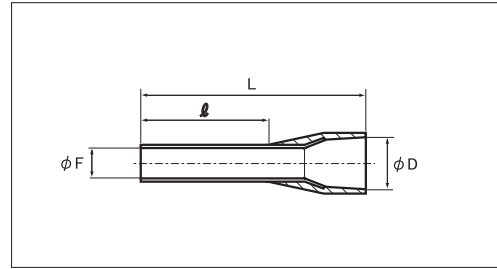
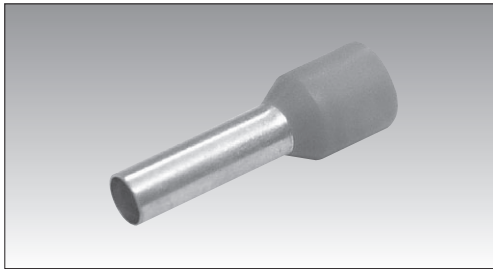
WIRE ENDS



SPECIFICATIONS

- MATERIAL : SLEEVE : Copper (Tin-plated)
INSULATOR : Polypropylene
- STANDARD : DIN46228/4 (Except for ※)

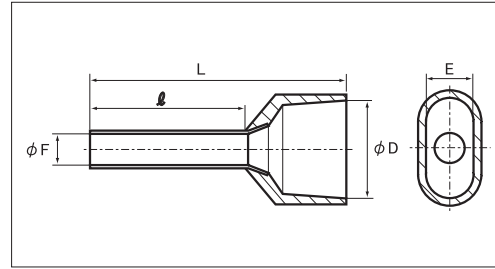
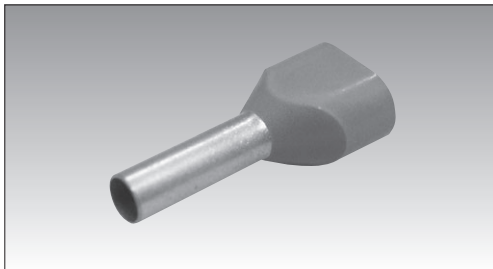
■ SINGLE WIRE



RoHS10
See page 2

PART NUMBER	DIMENSIONS mm				WIRE RANGE		TOOL No. HAND TOOL No.	COLOR	STD QTY/BAG
	φF	φD	ℓ	L	STRANDEDmm ²	AWG			
TE 0.14-8 ※	0.6	1.6	8.0	13.0	0.13	26	NH 89	GRAY	500
TE 0.25-8 ※	0.8	1.9	8.0	13.0	0.20	24		YELLOW	
TE 0.34-8 ※	0.8	2.0	8.0	13.0	0.2~0.3	24-22		TURQUOISE	
TE 0.5-8	1.0	2.6	8.0	14.0	0.3~0.5	22-20	NH 79A NH 89	WHITE	
TE 0.5-10			10.0	16.0				BLUE/GRAY	
TE 0.75-8	1.2	2.8	8.0	14.0	0.75	20-18		RED	
TE 0.75-10			10.0	16.0				BLACK	
TE 1.0-8	1.4	3.0	8.0	14.0	1.0	18		GRAY/BLUE	
TE 1.0-10			10.0	16.0				BLUE	
TE 1.5-8	1.7	3.5	8.0	14.0	1.5	16	ORANGE		
TE 1.5-10			10.0	16.0			GREEN		
TE 2.5-8	2.2	4.2	8.0	14.0	2.5	14	200		
TE 2.5-10			10.0	16.0			500		
TE 2.5-12			12.0	18.0			200		
TE 4.0-10	2.8	4.8	10.0	17.0	4.0	12	200		
TE 6.0-12	3.5	6.3	12.0	20.0	6.0	10	100		

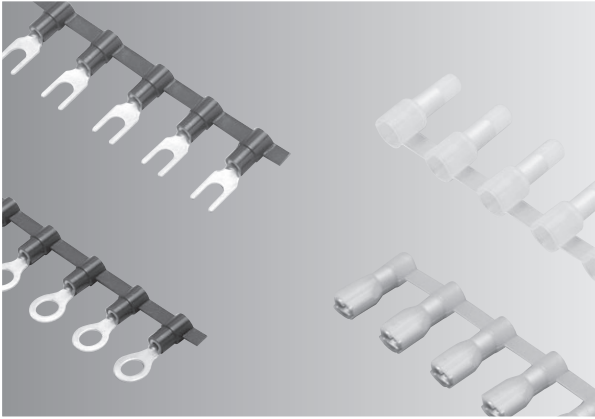
■ TWIN WIRE



RoHS10
See page 2

PART NUMBER	DIMENSIONS mm					WIRE RANGE		TOOL No. HAND TOOL No.	COLOR	STD QTY/BAG
	φF	φD	E	ℓ	L	STRANDEDmm ²	AWG			
TEW 0.5-8	1.5	4.9	2.5	8.0	15.0	0.5×2	22×2	NH 79A	WHITE	500
TEW 0.75-8	1.8	5.2	2.6		16.0	0.75×2	20×2		BLUE/GRAY	
TEW 1.0-8	2.0	5.8	3.2		15.0	1.0×2	18×2		RED	
TEW 1.5-8	2.3	6.5	3.6		16.0	1.5×2	16×2		BLACK	
TEW 2.5-9	2.9	7.5	4.3	9.0	18.0	2.5×2	14×2		GRAY/BLUE	

INSULATED CHAIN TERMINALS (ICT)



SPECIFICATION

- **MATERIAL** : Terminal/Sleeve : Oxygen free copper (Electro-tin-plated)
Disconnect : Brass(Electro-tin-plated)
Insulator : Vinyl/Nylon
- **RATED VOLTAGE** : 300V
- **RATED CURRENT** : Please see amperage rating table for insulated wires. Page 147.
- **INSULATOR TEMPERATURE** : - 40°C~+ 75°C Vinyl
- 40°C~+ 105°C Nylon
- **FLAME RETARDANCE** : UL94V0 Vinyl
UL94V2 Nylon

ICT FEATURES

CONNECTED INSULATED TERMINAL

Each terminal has a fixed distance which enables to crimp continuously

EASY CRIMP

Chain terminal comes on a reel, terminal is fed automatically to the correct position in the dies.

With an optional sensor, insert the wire for automatic crimp.

QUALITY CRIMP

ICT crimping gets a consistent quality crimp

STANDARDS(Terminal & Sleeve)

- Japanese Industrial Standards, JIS C2805
- UL486A (File No. E44245)
- CSA C22.2 (File No. LR-28418)

STANDARDS(Quick Disconnect)

- UL310 (File No. E78965)
- CSA C22.2 No. 153 (File No. LR-28418)

STANDARDS(Closed end connector)

- UL486C (File No. E44245)
- CSA C22.2 No. 188 (File No. LR-28418)

FOR SAFETY USE

Please observe the following points to prevent over heat and possible fire.

- Copper wire only.
- Use our recommended applicator/machine.
- Use with specified wire range.

(NOTE)

APPLICABLE WIRE

Wire range and performance ratings comply with JIS standards wire (IV,KIV,VSF)

INSULATOR/COLOR

STANDARD COLOR				
	ICT0.3/0.5	ICT1.25	ICT2	ICT5.5
VINYL	Yellow	Red	Blue	Yellow
NYLON	Yellow translucent	Red translucent	Blue translucent	Yellow translucent

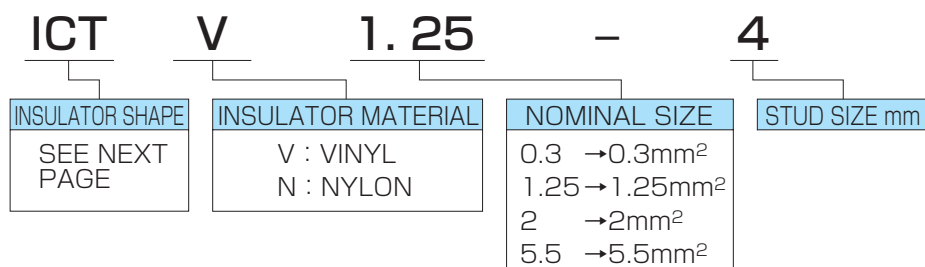
WIRE STRIP LENGTH

Strip length should be approx. 2mm longer than crimp barrel length. (Conductor should come out 1mm from crimp barrel.)

NYLON PRODUCTS

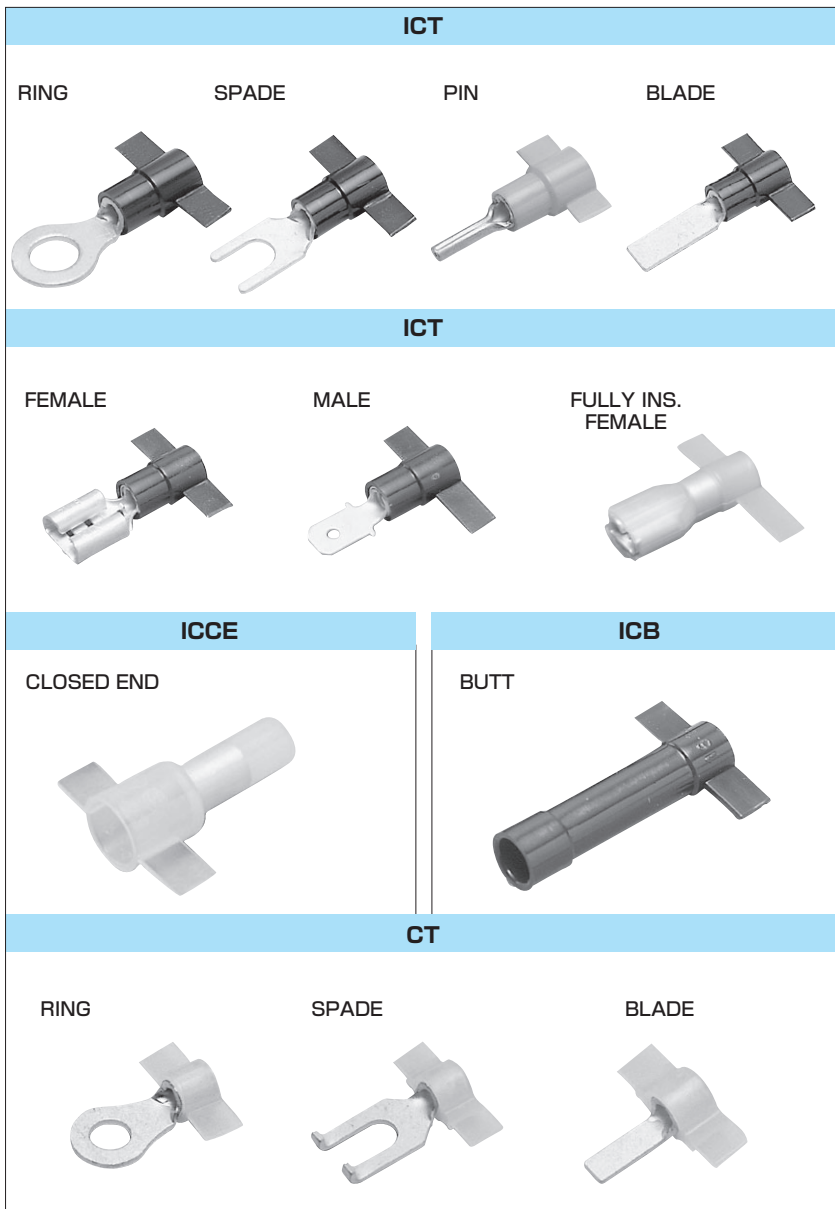
- Consume as soon as possible, store carefully it accepts influence of temperature & humidity.

STRUCTURE OF OUR PART NUMBER



INSULATED CHAIN TERMINALS (ICT)

ICT PART NUMBER AND SHAPE



ICT (Insulated Chain Terminal)

ICT Ring(R), Spade(Y), Pin(TC), Blade (BT)

ICT Disconnects

ICT Female, Male, Fully Insulated Female Disconnect

ICCE Closed End

ICB Butt

CT (Non-insulated Chain Terminal)

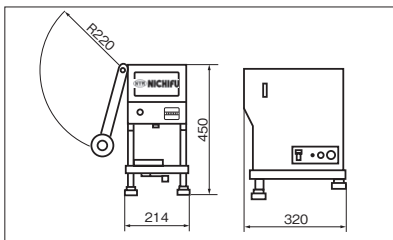
Non-insulated terminals are connected with plastic carriers which brake open when crimped. CT Ring(R), Spade(Y), Blade (BT)

CROSS REFERENCE BETWEEN ICT P/N AND JIS P/N.

(EXAMPLE)

MATERIAL OF INSULATOR	ICT P/N	JIS	
		SYMBOL	NOMINAL SIZE
VINYL	ICTV1.25-3	RB	RBA1.25-3
NYLON	ICTN1.25-3		RBC1.25-3

ICT PNEUMATIC CRIMPING MACHINE (NCA 100)



ICT pneumatic crimper NCA-100 is designed to automatically feed the next terminal into proper crimping position. Efficient and quality crimping can be obtained.

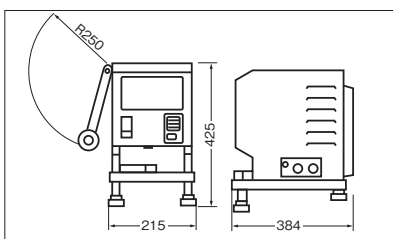
■ FEATURES

- Compressed air supply and electricity are required.
- Easily replaceable applicator.
- Applicable wire range for ICT/CT is 0.3mm² ~ 5.5mm².
- Easy operation.

■ SPECIFICATIONS

ITEM	SPECIFICATION
PART NO.	NCA100
APPLICABLE TERMINALS	ICT0.3~ICT5.5 and CT1.25 ~CT5.5
OUTPUT POWER	12KN
OPERATION	Foot S/W or Sensor
AIR COUPLER	1/4PF (Nitto P/N 20PM)
AIR PRESSURE	0.5MPa
AIR CONSUMPTION	5Nℓ /one crimp
CRIMP CYCLE	0.8sec./pc.
VOLTAGE	AC 100V ± 10%
ELECTRIC CONSUMPTION	20W
WEIGHT	40kgs.

ICT ELECTRIC CRIMPING MACHINE (NCM 100)



Totally electric (No compressed air needed.)

■ FEATURES

- With AC 100V, NCM100 can crimp ICT0.3 ~ 5.5 and CT1.25 ~ 5.5(non-insulated terminals).
- Applicator for ICT is placed on NCM100 with easy changeable mechanism.
- Easy operation.
- CE Marking Model also available.

■ SPECIFICATIONS

ITEM	SPECIFICATION
PART NO.	NCM100
APPLICABLE TERMINALS	ICT0.3~ICT5.5 and CT1.25~CT5.5
OUTPUT POWER	12KN
OPERATION	Foot S/W or Sensor
CRIMP CYCLE	0.8sec./pc.
VOLTAGE	AC 100V ± 10%
ELECTRIC CONSUMPTION	200W Max.
WEIGHT	39kgs.

APPLICATORS FOR NCA 100 · NCM 100



The applicator (NC-) can be used for both NCA 100 and NCM 100.

■ FEATURES

- The applicator consists of feeder, carrier cutter and crimping system.
- Compact design.
- The dial adjusts the insulation crimp height.
- WEIGHT: 3.3kgs.

■ SPECIFICATIONS

ITEM	SPECIFICATION
TYPE	NC-
TERMINAL FEED	Rotor
CARRIER CUTTING	Insulator dies
WIRE CRIMP HEIGHT	No need to adjust
INSULATOR CRIMP HEIGHT	Adjust by the dial
WEIGHT	3.3kgs.

SHAPE OF TERMINAL	SIZE	MATERIAL OF INSULATOR	APPLICABLE TERMINAL	APPLICATOR P/N
INSULATED TERMINAL RING SPADE PIN BLADE	0.3	VINYL NYLON	ICTV 0.3, ICTN 0.3	NC 10A
	1.25		ICTV 1.25, ICTN 1.25	NC 11A2
	1.25		ICTV 1.25, ICTN 1.25	NC 11A
	2.0		ICTV 2, ICTN 2	NC 12A
	3.5		ICTV 5.5, ICTN 5.5	NC 13A2
	5.5		ICTV 5.5, ICTN 5.5	NC 13A
NON INSULATED TERMINAL RING SPADE *FLANGE(W) *PIN *BLADE	1.25	—	CT 1.25	NC 1A
	2.0	—	CT 2	NC 2A
	5.5	—	CT 5.5	NC 3A
CLOSED END	1.25	NYLON	IC CE-1	NC 14A
	2.0		IC CE-2	NC 15A
	5.5		IC CE-5	NC 16A
FEMALE DISCONNECT	0.5	VINYL	ICTD 280509-F, ICTD 280809-F	NC 11A2
	1.25		ICTD _N 480509-F, ICTD _N 480809-F, ICTDV 480509-F03	
MALE DISCONNECT	2.0		ICTD _N 630809-F, M	NC 11A
			ICTD _N 480520-F03	NC 12G
			ICTDV 480520-F, M, ICTDV 480820-F	NC 12A
			ICTD _N 630820-F, M	
			ICTD _N 630855-F, M	
5.5	ICTD _N 630855-F, M		NC 13A	
FULLY INSULATED FEMALE DISCONNECT	1.25	ICTDEN 280509-FA, ICTDEN 280809-FA	NC 11JN	
		ICTDN 480509-FA, ICTDN480809-FA	NC 11EN	
		ICTDN 630809-FA	NC 11FN	
	2.0	ICTDN 480520-FA, ICTDN 480820-FA	NC 12EN	
		ICTDN 630820-FA	NC 12FN	
INSULATED BUTT	1.25	VINYL	ICV B-1.25	NC 11H
	2.0		ICV B-2	NC 12H
	5.5		ICV B-5.5	NC 13H

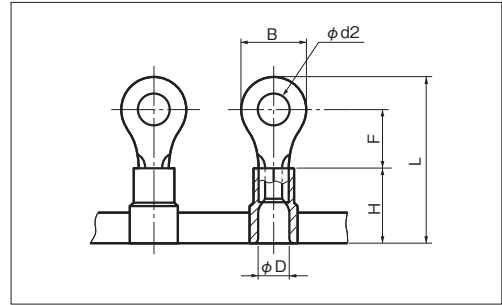
*Put suffix letters, for example PIN NC 1AC
FLANGE(W) NC 1AW

INSULATED CHAIN TERMINALS (R TYPE) ICTV : Vinyl

JIS C 2805



■ ICTV R TYPE



RoHS 10
See page 2

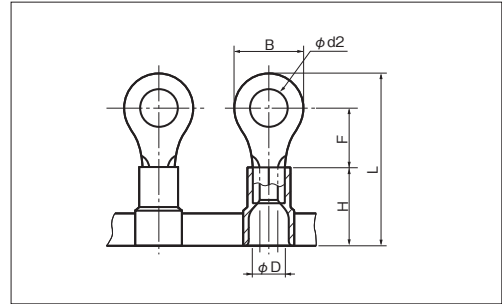
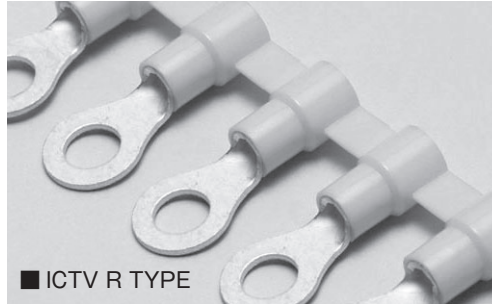
PART NUMBER	DIMENSIONS mm						WIRE RANGE		QTY/REEL	APPLICATOR	STD COLOR	
	φd2	B	L	F	H	φD	STRANDED mm ²	AWG				
ICTV 0.3-2	○	2.2	5.2	17.5	4.9	10.0	3.2	0.2~0.5 (0.3~0.5) UL·CSA USE	24-20 (22-20) UL·CSA USE	2,000	NC 10A	YELLOW
ICTV 0.3-3	○	3.2		17.5	4.9							
ICTV 0.3-3N	○	3.2	19.8	4.9								
ICTV 0.3-3.5	○	3.7	6.6	20.5	7.2	10.0	3.2	0.2~0.5 (0.3~0.5) UL·CSA USE	24-20 (22-20) UL·CSA USE	2,000	NC 10A	YELLOW
ICTV 0.3-4	○	4.3										
ICTV 0.3-5	○	5.3	8.0	21.0	7.0							
ICTV 1.25-2	○	2.2	5.5	17.5	4.75	10.0	4.1	0.3~0.75 (NC11A2)	22-18	1,500	NC 11A2	RED
ICTV 1.25-2S	○		5.7	17.4	4.55							
ICTV 1.25-3 (RBA 1.25-3) ●	●	3.2	5.5	17.5	4.75							
ICTV 1.25-3N	○	3.2	5.6	20.4	7.6	10.0	4.1	0.3~0.75 (NC11A2)	22-18	1,500	NC 11A2	RED
ICTV 1.25-3S	○		5.7	17.4	4.55							
ICTV 1.25-3.5N	○	3.7	5.6	20.4	7.6							
ICTV 1.25-3.5S	○	3.7	5.7	17.4	4.55	10.0	4.1	0.3~0.75 (NC11A2)	22-18	1,500	NC 11A2	RED
ICTV 1.25-3.5N	○		5.6	20.4	7.6							
ICTV 1.25-3.5S	○	5.7	17.4	4.55								
ICTV 1.25-3.5 (RBA 1.25-3.5) ●	●	3.7	6.6	18.8	5.5	10.0	4.1	0.5~1.65 (NC11A)	20-16	1,500	NC 11A	RED
ICTV 1.25-3.5M	○		6.8	19.4	6.0							
ICTV 1.25-3.5L	○	8.0	21.1	7.1								
ICTV 1.25-4M	○	4.3	6.8	19.4	6.0	10.0	4.1	0.5~1.65 (NC11A)	20-16	1,500	NC 11A	RED
ICTV 1.25-4 (RBA 1.25-4) ●	●		8.0	21.1	7.1							
ICTV 1.25-5 (RBA 1.25-5) ●	●	5.3	8.0	21.1	7.1							
ICTV 1.25-6	○	6.4	12.0	25.7	9.7	10.0	4.5	1.04~2.63	16-14	1,500	NC 12A	BLUE
ICTV 1.25-8	○	8.4										
ICTV 2-2	○	2.2	6.5	18.2	4.95							
ICTV 2-3N	○	3.2	5.6	20.4	7.6							
ICTV 2-3S	○		5.7	17.8	4.95							
ICTV 2-3	○	3.2	6.5	18.2	4.95	10.0	4.5	1.04~2.63	16-14	1,500	NC 12A	BLUE
ICTV 2-3.5N	○		5.6	20.4	7.6							
ICTV 2-3.5NS	○	6.5	18.2	4.95								
ICTV 2-3.5 (RBA 2-3.5) ●	●	3.7	6.6	19.9	6.6	10.0	4.5	1.04~2.63	16-14	1,500	NC 12A	BLUE
ICTV 2-3.5S	○		6.6	20.9	7.6							
ICTV 2-3.5M	○	8.0	21.5	7.5								
ICTV 2-4S	○	4.3	6.6	19.9	6.6	10.0	4.5	1.04~2.63	16-14	1,500	NC 12A	BLUE
ICTV 2-4 (RBA 2-4) ●	●		8.5	22.0	7.75							
ICTV 2-4M	○	8.0	21.5	7.5								
ICTV 2-5M	○	5.3	9.5	22.5	7.75	10.0	4.5	1.04~2.63	16-14	1,500	NC 12A	BLUE
ICTV 2-5 (RBA 2-5) ●	●		9.5	22.5	7.75							
ICTV 2-6 (RBA 2-6) ●	●	6.4	12.0	27.0	11.0							
ICTV 2-8 (RBA 2-8) ●	●	8.4										
ICTV 2-10	○	10.5	15.0	30.0	12.5	10.0	4.5	1.04~2.63	16-14	1,500	NC 12A	BLUE

NOTE 1) ● : JIS, UL·CSA ○ : UL·CSA △ : UL

- Refer to page 104 for UL/CSA, insulator material/color, proper strip length of wire.
- JIS part no. is shown in parenthesis.
- Applicator shall be selected by wire range. (NC 11A2/NC 11A) (NC 13A2/NC 13A)

INSULATED CHAIN TERMINALS (R TYPE) ICTV : Vinyl

JIS C 2805



RoHS10
See page 2

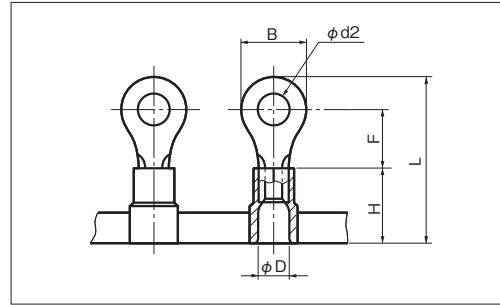
PART NUMBER	DIMENSIONS mm						WIRE RANGE		QTY/REEL	APPLICATOR	STD COLOR
	φd2	B	L	F	H	φD	STRANDED mm ²	AWG			
ICTV 5.5-3M ○	3.2	6.5	24.45	7.2	14.0	6.8	2.63~4.6 (NC13A2)	12	1,000	NC 13A2	
ICTV 5.5-3N ○		7.0	24.7								
ICTV 5.5-3S ○		9.0	25.7								
ICTV 5.5-3.5N ○	3.7	7.0	24.7								
ICTV 5.5-3.5S ○		9.0	25.7								
ICTV 5.5-3.5 ○		9.5	27.0	8.25							
ICTV 5.5-4N ○	4.3	7.0	24.7	7.2							
ICTV 5.5-4S ○		9.0	25.7	8.25							
ICTV 5.5-4 (RBA 5.5-4) ●		9.5	27.0	8.25							
ICTV 5.5-5N ○	5.3	8.0	25.2	7.2							
ICTV 5.5-5S ○		9.0	25.7	8.25							
ICTV 5.5-5 (RBA 5.5-5) ●		9.5	27.0	8.25							
ICTV 5.5-6 (RBA 5.5-6) ●	6.4	12.0	30.5	10.5							
ICTV 5.5-8 (RBA 5.5-8) ●	8.4	15.0	35.5	14.0							
ICTV 5.5-10 (RBA 5.5-10) ●	10.5										

- NOTE 1) ● : JIS, UL·CSA ○ : UL·CSA
 2) Refer to page 104 for UL/CSA, insulator material/color, proper strip length of wire.
 3) JIS part no. is shown in parenthesis.
 4) Applicator shall be selected by wire range. (NC11A2/NC11A) (NC13A2/NC13A)

E

INSULATED CHAIN TERMINALS (R TYPE) ICTN : Nylon

JIS C 2805



RoHS 10
See page 2

RoHS 10
Yellow Nylon
See page 2

■ ICTN R TYPE

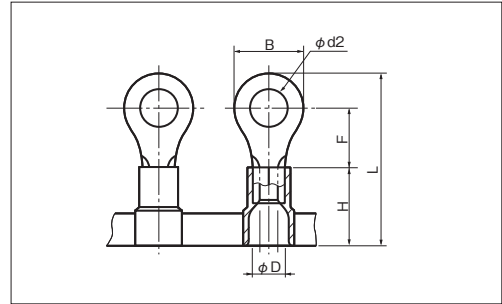
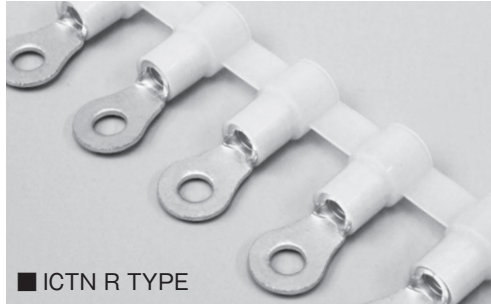
PART NUMBER	DIMENSIONS mm						WIRE RANGE		QTY/REEL	APPLICATOR	STD COLOR	
	φd2	B	L	F	H	φD	STRANDED mm ²	AWG				
ICTN 0.3-2	○	2.2	5.2	17.5	4.9	10.0	3.2	0.2~0.5 (0.3~0.5) UL·CSA USE	24-20 (22-20) UL·CSA USE	2,000	NC 10A	YELLOW TRANSLUCENT
ICTN 0.3-3	○	3.2		17.5	4.9							
ICTN 0.3-3N	○	3.2	19.8	7.2								
ICTN 0.3-3.5	○	3.7	20.5									
ICTN 0.3-4	○	4.3	20.5	7.2								
ICTN 0.3-5	○	5.3	8.0	21.0	7.0							
ICTN 1.25-2	○	2.2	5.5	17.5	4.75	10.0	4.1	0.3~0.75 (NC11A2)	22-18	1,500	NC 11A2	RED TRANSLUCENT
ICTN 1.25-2S	○		5.7	17.4	4.55							
ICTN 1.25-3 (RBC 1.25-3)●	●	5.5	17.5	4.75								
ICTN 1.25-3N	○	3.2	5.6	20.4	7.6							
ICTN 1.25-3S	○	5.7	17.4	4.55								
ICTN 1.25-3.5N	○	5.6	20.4	7.6								
ICTN 1.25-3.5S	○	5.7	17.4	4.55								
ICTN 1.25-3.5 (RBC 1.25-3.5)●	●	3.7	6.6	18.8	5.5							
ICTN 1.25-3.5M	○	6.8	19.4	6.0								
ICTN 1.25-3.5L	○	8.0	21.1	7.1								
ICTN 1.25-4M	○	4.3	6.8	19.4	6.0							
ICTN 1.25-4 (RBC 1.25-4)●	●		8.0	21.1	7.1							
ICTN 1.25-5 (RBC 1.25-5)●	●	5.3	8.0	21.1	7.1							
ICTN 1.25-6	○	6.4	12.0	25.7	9.7							
ICTN 1.25-8	○	8.4										
ICTN 2-2	○	2.2	6.5	18.2	4.95	10.0	4.5	1.04~2.63	16-14	1,500	NC 12A	BLUE TRANSLUCENT
ICTN 2-3N	○	3.2	5.6	20.4	7.6							
ICTN 2-3S	○		5.7	17.8	4.95							
ICTN 2-3	○	6.5	18.2	4.95								
ICTN 2-3.5N	○	5.6	20.4	7.6								
ICTN 2-3.5NS	○	6.5	18.2	4.95								
ICTN 2-3.5 (RBC 2-3.5)●	●	3.7	6.6	19.9	6.6							
ICTN 2-3.5S	○	6.6	20.9	7.6								
ICTN 2-3.5M	○	8.0	21.5	7.5								
ICTN 2-4S	○	4.3	6.6	19.9	6.6							
ICTN 2-4 (RBC 2-4)●	●		8.5	22.0	7.75							
ICTN 2-4M	○	8.0	21.5	7.5								
ICTN 2-5M	○	5.3	9.5	22.5	7.75							
ICTN 2-5 (RBC 2-5)●	●											
ICTN 2-6 (RBC 2-6)●	●	6.4	12.0	27.0	11.0							
ICTN 2-8 (RBC 2-8)●	●	8.4										
ICTN 2-10	○	10.5	15.0	30.0	12.5							

NOTE 1) ● : JIS, UL·CSA ○ : UL·CSA △ : UL

- Refer to page 104 for UL/CSA, insulator material/color, proper strip length of wire and Nylon insulated products.
- JIS part no. is shown in parenthesis.
- Applicator shall be selected by wire range. (NC11A2/NC11A) (NC13A2/NC13A)

INSULATED CHAIN TERMINALS (R TYPE) ICTN : Nylon

JIS C 2805



RoHS10
See page 2

PART NUMBER	DIMENSIONS mm						WIRE RANGE		QTY/REEL	APPLICATOR	STD COLOR
	φd2	B	L	F	H	φD	STRANDED mm ²	AWG			
ICTN 5.5-3M ○	3.2	6.5	24.45	7.2	14.0	6.8	2.63~4.6 (NC13A2)	12	1,000	NC 13A2	YELLOW TRANSLUCENT
ICTN 5.5-3N ○		7.0	24.7								
ICTN 5.5-3S ○		9.0	25.7								
ICTN 5.5-3.5N ○	3.7	7.0	24.7								
ICTN 5.5-3.5S ○		9.0	25.7								
ICTN 5.5-3.5 ○		9.5	27.0	8.25							
ICTN 5.5-4N ○	4.3	7.0	24.7	7.2							
ICTN 5.5-4S ○		9.0	25.7								
ICTN 5.5-4 (RBC 5.5-4) ●		9.5	27.0		8.25						
ICTN 5.5-5N ○	5.3	8.0	25.2	7.2							
ICTN 5.5-5S ○		9.0	25.7								
ICTN 5.5-5 (RBC 5.5-5) ●		9.5	27.0		8.25						
ICTN 5.5-6 (RBC 5.5-6) ●	6.4	12.0	30.5	10.5							
ICTN 5.5-8 (RBC 5.5-8) ●	8.4	15.0	35.5	14.0							
ICTN 5.5-10 (RBC 5.5-10) ●	10.5										

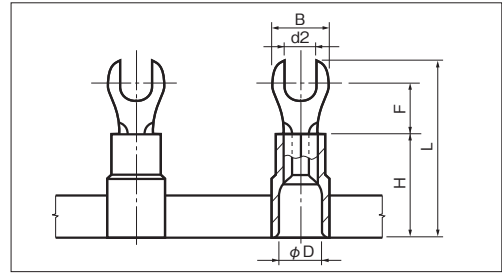
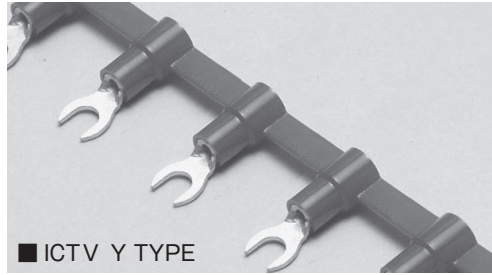
NOTE 1) ● : JIS, UL·CSA ○ : UL·CSA

- Refer to page 104 for UL/CSA, insulator material/color, proper strip length of wire and Nylon insulated products.
- JIS part no. is shown in parenthesis.
- Applicator shall be selected by wire range. (NC11A2/NC11A) (NC13A2/NC13A)

E

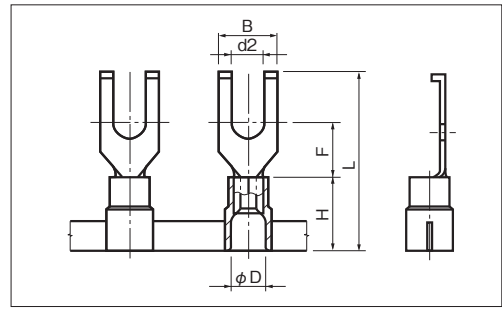
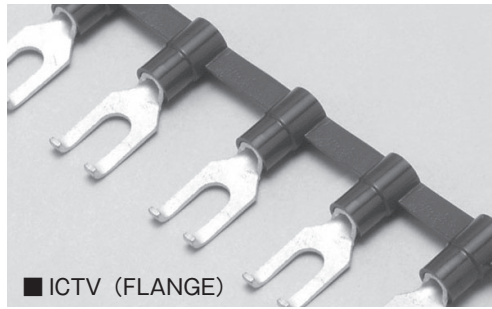
INSULATED CHAIN TERMINALS (Y TYPE) ICTV : Vinyl

RoHS10
See page 2



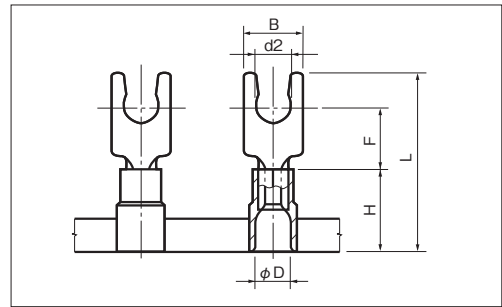
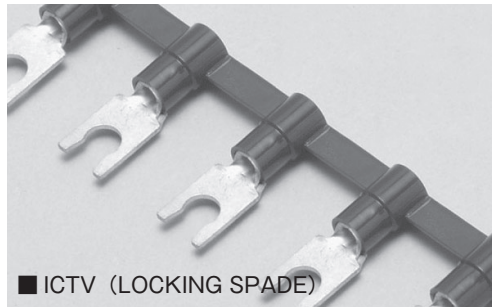
PART NUMBER		DIMENSIONS mm						WIRE RANGE		QTY/REEL	APPLICATOR	STD COLOR
		d2	B	L	F	H	φD	STRANDED mm ²	AWG			
ICTV 1.25Y-3S	○	3.2	5.7	17.4	4.8	10.0	4.1	0.3~0.75 0.5~1.65	22-18 20-16	1,500	NC 11A2 NC 11A	RED

RoHS10
See page 2



PART NUMBER		DIMENSIONS mm						WIRE RANGE		QTY/REEL	APPLICATOR	STD COLOR
		d2	B	L	F	H	φD	STRANDED mm ²	AWG			
ICTV 1.25Y-3W	○	3.7	7.7	19.5	5.6	10.0	4.1	0.3~0.75 0.5~1.65	22-18 20-16	1,500	NC 11A2 NC 11A	RED
ICTV 1.25Y-4W	○	4.3										
ICTV 1.25Y-5W	○	5.3										
ICTV 2Y-3W	○	3.7	8.0	24.0	7.3	10.0	4.5	1.04~2.63	16-14	1,500	NC 12A	BLUE
ICTV 2Y-4W	○	4.3										
ICTV 2Y-5W	○	5.3										

RoHS10
See page 2

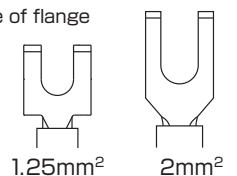


PART NUMBER		DIMENSIONS mm						WIRE RANGE		QTY/REEL	APPLICATOR	STD COLOR
		d2	B	L	F	H	φD	STRANDED mm ²	AWG			
ICTV 1.25LY-3S	○	3.2	6.4	19.5	6.6	10.0	4.1	0.3~0.75 0.5~1.65	22-18 20-16	1,500	NC 11A2 NC 11A	RED
ICTV 1.25LY-3.5S	○	3.7										
ICTV 1.25LY-4S	○	4.3										
ICTV 1.25LY-5S	○	5.3	8.4	22.5	8.5							
ICTV 2LY-3S	○	3.2	6.4	19.5	6.6	10.0	4.5	1.04~2.63	16-14	1,500	NC 12A	BLUE
ICTV 2LY-3.5S	○	3.7										
ICTV 2LY-4S	○	4.3										
ICTV 2LY-5S	○	5.3	8.4	22.5	8.5							
ICTV 5.5LY-3.5S	○	3.7	7.9	25.7	7.6	14.0	6.8	2.63~4.6 4.6~6.64	12 10	1,000	NC 13A2 NC 13A	YELLOW
ICTV 5.5LY-4S	○	4.3										
ICTV 5.5LY-5S	○	5.3										

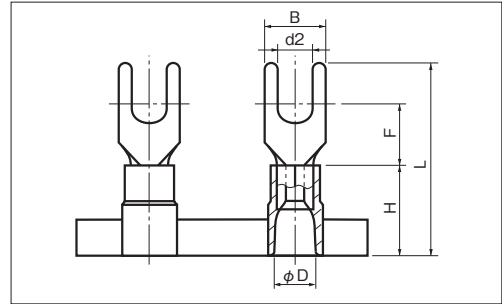
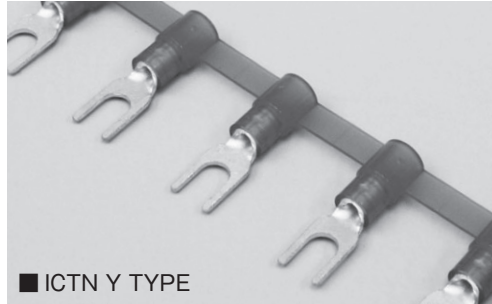
NOTE 1) ○ : UL/CSA

- Refer to page 104 for UL/CSA, insulator material/color, proper strip length of wire.
- Applicator shall be selected by wire range. (NC11A2/NC11A) (NC13A2/NC13A)

Shape of flange



INSULATED CHAIN TERMINALS (Y TYPE) ICTN : Nylon



RoHS 10
See page 2

RoHS 10
Yellow Nylon
See page 2

Non stock item

PART NUMBER		DIMENSIONS mm					WIRE RANGE		QTY/REEL	APPLICATOR	STD COLOR	
		φd2	B	L	F	H	φD	STRANDED mm ²				AWG
ICTN 0.3Y-2	○	2.2	5.2	17.5	4.9	10.0	3.2	0.2~0.5 (0.3~0.5) UL·CSA USE	24-20 (22-20) UL·CSA USE	2,000	NC 10A	YELLOW TRANSLUCENT
ICTN 0.3Y-3	○	3.2										
ICTN 0.3Y-3.5N	○	3.7	20.5	5.8								
ICTN 0.3Y-4N	○	4.3			6.4							
ICTN 0.3Y-5	○	5.3	8.0	21.0	7.0							
ICTN 1.25Y-2.5	○	2.7	4.7	17.2	5.1	10.0	4.1	0.3~0.75 (NC11A2)	22-18	1,500	NC 11A2	RED TRANSLUCENT
ICTN 1.25Y-3K	○	3.2	5.6	20.5	5.8							
ICTN 1.25Y-3	○		5.8									
ICTN 1.25Y-3N	○	3.7	5.6	20.5	5.8							
ICTN 1.25Y-3.5K	○		5.8									
ICTN 1.25Y-3.5	○	4.3	6.2	21.5	6.8							
ICTN 1.25Y-3L	○		6.4									
ICTN 1.25Y-4N	○	4.3	7.0	21.9	7.6							
ICTN 1.25Y-4S	○		8.1									
ICTN 1.25Y-4M	○	5.3	9.6	23.0	8.3							
ICTN 1.25Y-4L	○		6.4									
ICTN 1.25Y-5	○	6.4	11.0	24.5	8.6							
ICTN 2Y-3	○	3.2	5.9	21.3	6.6							
ICTN 2Y-3.5S	○	3.7	5.8									
ICTN 2Y-3.5	○		6.4	7.6								
ICTN 2Y-3.5L	○	4.3			7.0	21.5	7.0					
ICTN 2Y-4N	○		8.0	21.5				7.1				
ICTN 2Y-4S	○	4.3	10.0	22.6	8.7							
ICTN 2Y-4	○					8.0	21.5	7.1				
ICTN 2Y-4M	○	5.3	10.0	22.6	8.7							
ICTN 2Y-5	○					12.0	23.5	8.5				
ICTN 2Y-5M	○	6.4	24.5	8.6								
ICTN 2Y-5L	○				8.4	14.0	27.5	11.5				
ICTN 2Y-6	○	8.4	14.0	27.5					11.5			
ICTN 2Y-8	○				4.3	8.4	25.7	7.2		14.0	6.8	2.63~4.6 (NC13A2) 4.6~6.64 (NC13A)
ICTN 5.5Y-4S	○	5.3	9.0	25.7					7.2			
ICTN 5.5Y-4	○				6.4	12.5	32.7	12.0				
ICTN 5.5Y-5	○	5.3	9.0	25.7	7.2							
ICTN 5.5Y-6	○	6.4	12.5	32.7	12.0							

NOTE 1) ○ : UL·CSA

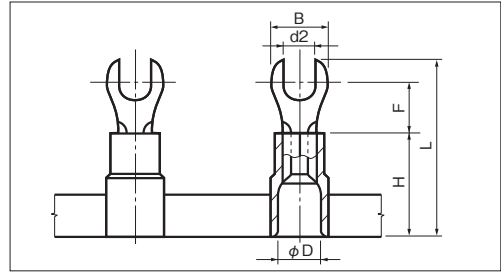
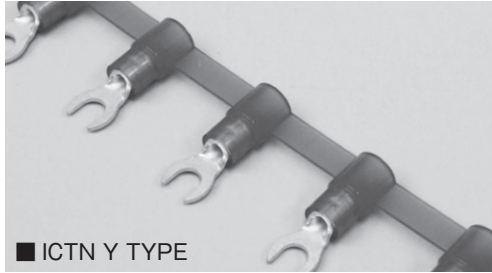
- Refer to page 104 for UL/CSA, insulator material/color, proper strip length of wire and Nylon insulated products.
- Applicator shall be selected by wire range. (NC11A2/NC11A) (NC13A2/NC13A)

INSULATED CHAIN TERMINALS (ICT) (Y TYPE) ICTN : Nylon

RoHS 10

See page 2

Non stock item

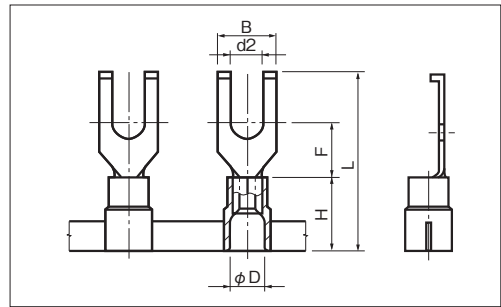
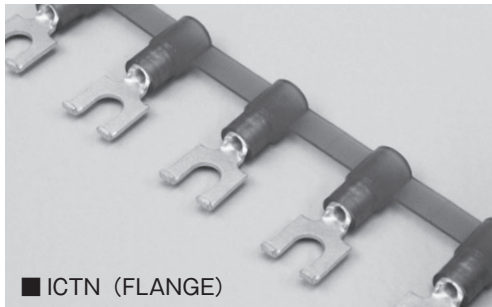


PART NUMBER		DIMENSIONS mm						WIRE RANGE		QTY/REEL	APPLICATOR	STD COLOR
		d2	B	L	F	H	φD	STRANDED mm ²	AWG			
ICTN 1.25Y-3S	○	3.2	5.7	17.4	4.8	10.0	4.1	0.3~0.75 0.5~1.65	22-18 20-16	1,500	NC 11A2 NC 11A	RED TRANSLUCENT

RoHS 10

See page 2

Non stock item



PART NUMBER		DIMENSIONS mm						WIRE RANGE		QTY/REEL	APPLICATOR	STD COLOR
		d2	B	L	F	H	φD	STRANDED mm ²	AWG			
ICTN 1.25Y-3W	○	3.7	7.7	19.5	5.6	10.0	4.1	0.3~0.75 0.5~1.65	22-18 20-16	1,500	NC 11A2 NC 11A	RED TRANSLUCENT
ICTN 1.25Y-4W	○	4.3										
ICTN 1.25Y-5W	○	5.3										
ICTN 2Y-3W	○	3.7	8.0	24.0	7.3	10.0	4.5	1.04~2.63	16-14	1,500	NC 12A	BLUE TRANSLUCENT
ICTN 2Y-4W	○	4.3										
ICTN 2Y-5W	○	5.3										

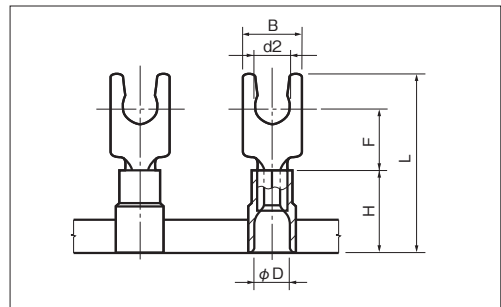
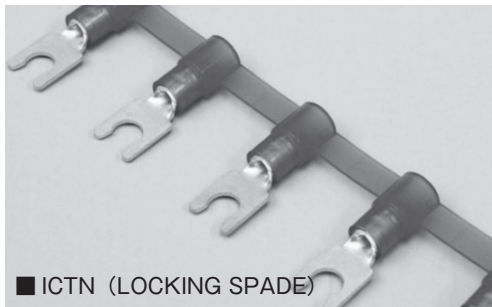
RoHS 10

See page 2

RoHS 10

Yellow Nylon
See page 2

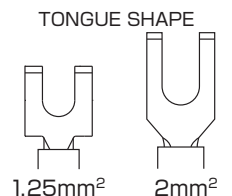
Non stock item



PART NUMBER		DIMENSIONS mm						WIRE RANGE		QTY/REEL	APPLICATOR	STD COLOR
		d2	B	L	F	H	φD	STRANDED mm ²	AWG			
ICTN 1.25LY-3S	○	3.2	6.4	19.5	6.6	10.0	4.1	0.3~0.75 0.5~1.65	22-18 20-16	1,500	NC 11A2 NC 11A	RED TRANSLUCENT
ICTN 1.25LY-3.5S	○	3.7										
ICTN 1.25LY-4S	○	4.3										
ICTN 1.25LY-5S	○	5.3	8.4	22.5	8.5							
ICTN 2LY-3S	○	3.2	6.4	19.5	6.6	10.0	4.5	1.04~2.63	16-14	1,500	NC 12A	BLUE TRANSLUCENT
ICTN 2LY-3.5S	○	3.7										
ICTN 2LY-4S	○	4.3										
ICTN 2LY-5S	○	5.3	8.4	22.5	8.5							
ICTN 5.5LY-3.5S	○	3.7	7.9	25.7	7.6	14.0	6.8	2.63~4.6 4.6~6.64	12 10	1,000	NC 13A2 NC 13A	YELLOW TRANSLUCENT
ICTN 5.5LY-4S	○	4.3										
ICTN 5.5LY-5S	○	5.3										

NOTE 1) ○ : UL-CSA

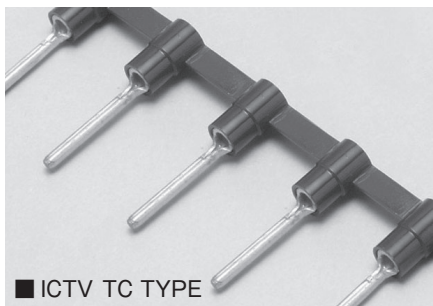
- Refer to page 104 for UL/CSA, insulator material/color, proper strip length of wire and Nylon insulated products.
- Applicator shall be selected by wire range. (NC11A2/NC11A) (NC13A2/NC13A)



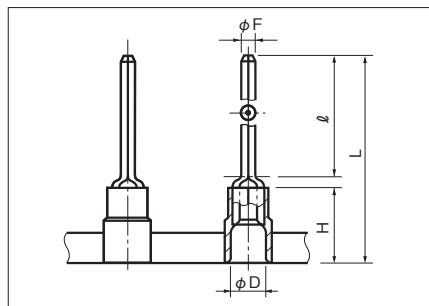
INSULATED CHAIN TERMINALS

(TC TYPE)
(BT TYPE)

ICTV : Vinyl



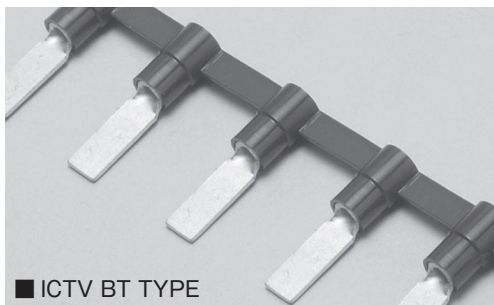
■ ICTV TC TYPE



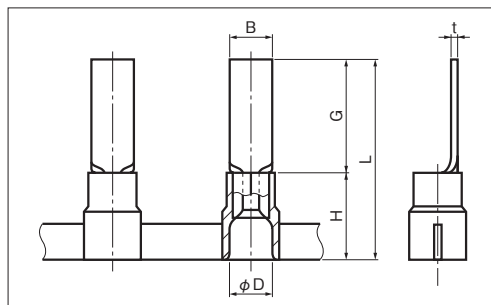
RoHS 10

See page 2

PART NUMBER	DIMENSIONS mm					WIRE RANGE		QTY/REEL	APPLICATOR	STD COLOR	
	ϕF	l	L	H	ϕD	STRANDED mm ²	AWG				
ICTV TC-0.3-9.5	○	1.0	9.5	20.8	10.0	3.2	0.2~0.5 (0.3~0.5) UL·CSA USE	24-20 (22-20) UL·CSA USE	2,000	NC 10A	YELLOW
ICTV TC-1.25-11	○	1.9	11.0	23.0	10.0	4.1	0.3~0.75 0.5~1.65	22-18 20-16	1,500	NC 11A2 NC 11A	RED
ICTV TC-1.25-11S	○	1.5									
ICTV TC-1.25-16	○	1.9									
ICTV TC-1.25-16S	○	1.5									
ICTV TC-1.25-20	○	1.9									
ICTV TC-1.25-20S	○	1.5									
ICTV TC-2-11	○	1.9	11.0	23.0	10.0	4.5	1.04~2.63	16-14	1,500	NC 12A	BLUE
ICTV TC-2-11S	○	1.5									
ICTV TC-2-16	○	1.9									
ICTV TC-2-16S	○	1.5									
ICTV TC-2-20	○	1.9									
ICTV TC-2-20S	○	1.5									
ICTV TC-5.5-11	○	2.7	11.0	28.5	14.0	6.8	2.63~4.6	12 10	1,000	NC 13A2 NC 13A	YELLOW



■ ICTV BT TYPE



RoHS 10

See page 2

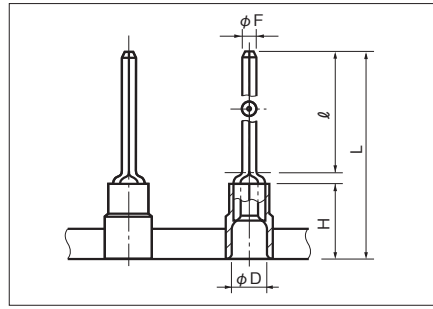
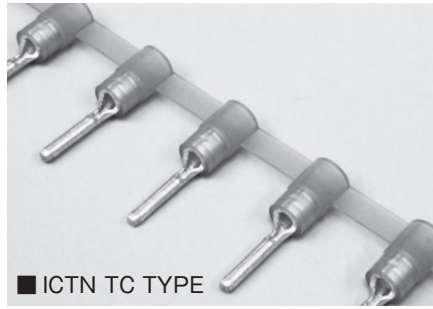
PART NUMBER	DIMENSIONS mm						WIRE RANGE		QTY/REEL	APPLICATOR	STD COLOR
	B	t	L	G	H	ϕD	STRANDED mm ²	AWG			
ICTV BT-1.25-9-1	2.2	0.7	19.0	9.0	10.0	4.1	0.3~0.75 0.5~1.65	22-18 20-16	1,500	NC 11A2 NC 11A	RED
ICTV BT-1.25-9	2.8		19.1	9.1							
ICTV BT-1.25-10-1	2.2		20.5	10.5							
ICTV BT-1.25-10	3.4		20.3	10.3							
ICTV BT-1.25-11	3.0		21.2	11.2							
ICTV BT-1.25-14	3.0		24.6	14.6							
ICTV BT-1.25-18	2.2		28.5	18.5							
ICTV BT-2-9-1	2.2	0.85	19.0	9.0	10.0	4.5	1.04~2.63	16-14	1,500	NC 12A	BLUE
ICTV BT-2-9	2.8		19.1	9.1							
ICTV BT-2-13	4.6		23.0	13.0							
ICTV BT-2-18	2.2		28.5	18.5							
ICTV BT-5.5-10	2.8	0.95	24.0	10.0	14.0	6.8	2.63~4.6 4.6~6.64	12 10	1,000	NC 13A2 NC 13A	YELLOW
ICTV BT-5.5-13	4.5		27.0	13.0							
ICTV BT-5.5-18	4.5		32.0	18.0							

Note 1) ○ : UL·CSA △ : UL

2) Refer to page 104 for UL/CSA, insulator material/color, proper strip length of wire.

3) Applicator shall be selected by wire range. (NC 11A2/NC 11A) (NC 13A2/NC 13A)

INSULATED CHAIN TERMINALS (TC TYPE) (BT TYPE) ICTN : Nylon



RoHS 10

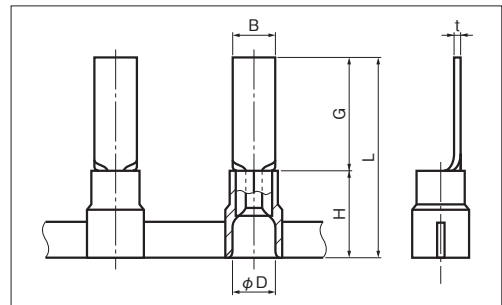
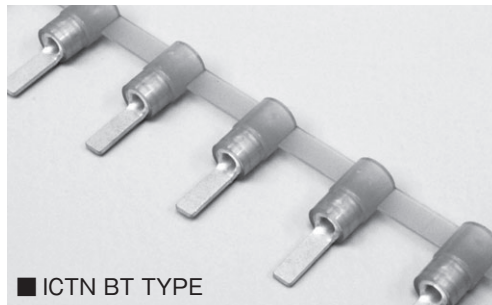
See page 2

RoHS 10

Yellow Nylon
See page 2

Non stock item

PART NUMBER		DIMENSIONS mm				WIRE RANGE		QTY/REEL	APPLICATOR	STD COLOR	
		ϕF	ℓ	L	H	ϕD	STRANDED mm ²				AWG
ICTN TC-0.3-9.5	○	1.0	9.5	20.8	10.0	3.2	0.2~0.5 (0.3~0.5) UL·CSA USE	24-20 (22-20) UL·CSA USE	2,000	NC 10A	YELLOW TRANSLUCENT
ICTN TC-1.25-11	○	1.9	11.0	23.0	10.0	4.1	0.3~0.75 0.5~1.65	22-18 20-16	1,500	NC 11A2 NC 11A	RED TRANSLUCENT
ICTN TC-1.25-11S	○	1.5									
ICTN TC-1.25-16	○	1.9									
ICTN TC-1.25-16S	○	1.5									
ICTN TC-1.25-20	○	1.9									
ICTN TC-1.25-20S	○	1.5									
ICTN TC-2-11	○	1.9	11.0	23.0	10.0	4.5	1.04~2.63	16-14	1,500	NC 12A	BLUE TRANSLUCENT
ICTN TC-2-11S	○	1.5									
ICTN TC-2-16	○	1.9									
ICTN TC-2-16S	○	1.5									
ICTN TC-2-20	○	1.9									
ICTN TC-2-20S	○	1.5									
ICTN TC-5.5-11	○	2.7	11.0	28.5	14.0	6.8	2.63~4.6 4.6~6.64	12 10	1,000	NC 13A2 NC 13A	YELLOW TRANSLUCENT



RoHS 10

See page 2

RoHS 10

Yellow Nylon
See page 2

Non stock item

PART NUMBER	DIMENSIONS mm					WIRE RANGE		QTY/REEL	APPLICATOR	STD COLOR	
	B	t	L	G	H	ϕD	STRANDED mm ²				AWG
ICTN BT-1.25-9-1	2.2	0.7	19.0	9.0	10.0	4.1	0.3~0.75	22-18	1,500	NC 11A2 NC 11A	RED TRANSLUCENT
ICTN BT-1.25-9	2.8		19.1	9.1							
ICTN BT-1.25-10-1	2.2		20.5	10.5							
ICTN BT-1.25-10	3.4		20.3	10.3							
ICTN BT-1.25-11	3.0		21.2	11.2							
ICTN BT-1.25-14			24.6	14.6							
ICTN BT-1.25-18	2.2	28.5	18.5								
ICTN BT-2-9-1	2.2	0.85	19.0	9.0	10.0	4.5	1.04~2.63	16-14	1,500	NC 12A	BLUE TRANSLUCENT
ICTN BT-2-9	2.8		19.1	9.1							
ICTN BT-2-13	4.6		23.0	13.0							
ICTN BT-2-18	2.2		28.5	18.5							
ICTN BT-5.5-10	2.8	0.95	24.0	10.0	14.0	6.8	2.63~4.6 4.6~6.64	12 10	1,000	NC 13A2 NC 13A	YELLOW TRANSLUCENT
ICTN BT-5.5-13	4.5		27.0	13.0							
ICTN BT-5.5-18			32.0	18.0							

Nylon (ICTNBT) is not UL/CSA

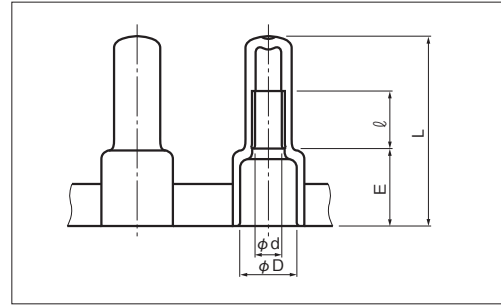
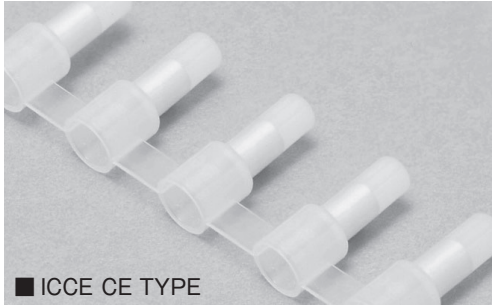
Note 1) ○ : UL·CSA △ : UL

2) Refer to page 104 for UL/CSA, insulator material/color, proper strip length of wire and Nylon insulated products.

3) Applicator shall be selected by wire range. (NC11A2/NC11A) (NC13A2/NC13A)

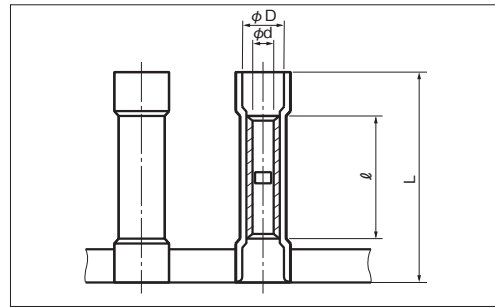
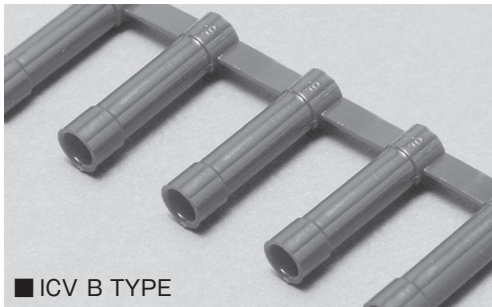
INSULATED CHAIN TERMINALS (CE TYPE) (B TYPE)

JIS C 2807



RoHS 10
See page 2

PART NUMBER		DIMENSIONS mm					WIRE RANGE		QTY/REEL	INSULATOR	APPLICATOR	STD COLOR
		ϕd	ϕD	L	l	E	STRANDED mm ²	AWG				
IC CE-1	●	2.4	6.7	21.0	6.2	8.8	0.5~1.75	22-16	1,000	NYLON	NC 14A	MILKY WHITE
IC CE-2	●	3.3	8.2	22.0	6.9	9.6	1.0~3.0	16-14	1,000		NC 15A	
IC CE-5	●	3.9	9.2	28.0	7.2	10.8	2.5~6.0	12-10	600		NC 16A	



RoHS 10
See page 2

ICV : Vinyl

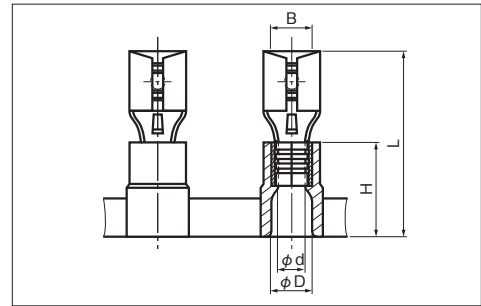
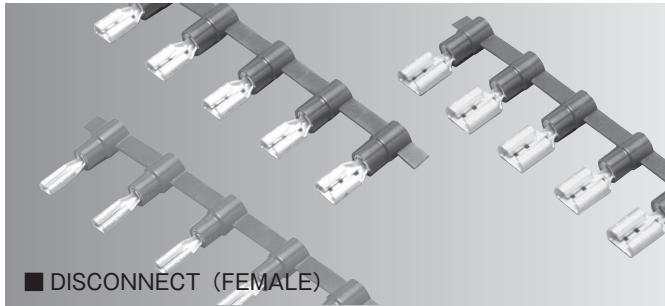
PART NUMBER		DIMENSIONS mm				WIRE RANGE		QTY/REEL	APPLICATOR	STD COLOR
		ϕd	ϕD	l	L	STRANDED mm ²	AWG			
ICV B-1.25	△	1.8	3.8	15.0	25.5	0.3~1.65	22-16	1,500	NC 11H	RED
ICV B-2	△	2.3	4.5	15.0	25.5	1.04~2.63	16-14	1,500	NC 12H	BLUE
ICV B-5.5	△	3.5	6.4	15.0	27.5	2.63~6.64	12-10	1,000	NC 13H	YELLOW

Only vinyl insulation is available

NOTE 1) ● : JIS·UL·CSA ○ : UL·CSA △ : UL

2) Refer to page 104 for UL/CSA and Nylon products.

INSULATED CHAIN TERMINALS (DISCONNECTS) ICTDV : Vinyl



RoHS 10
See page 2

ICTDV : Vinyl

■ FEMALE DISCONNECT .110 SERIES

PART NUMBER	DIMENSIONS mm					MATING TAB THICKNESS mm	WIRE RANGE		QTY/REEL	APPLICATOR	STD COLOR
	B	L	φd	φD	H		STRANDED mm ²	AWG			
ICTDV 280509-F ○	3.2	19.5	2.0	4.1	10.0	0.5	0.3~0.75	22-18	1,500	NC 11A2 NC 11A	RED
ICTDV 280809-F ○						0.8	0.5~1.65	20-16			

■ FEMALE DISCONNECT .187 SERIES

PART NUMBER	DIMENSIONS mm					MATING TAB THICKNESS mm	WIRE RANGE		QTY/REEL	APPLICATOR	STD COLOR
	B	L	φd	φD	H		STRANDED mm ²	AWG			
ICTDV 480509-F ○	5.0	19.5	1.8	4.1	10.0	0.5	0.3~0.75	22-18	1,500	NC 11A2 NC 11A	RED
ICTDV 480809-F ○						0.8	0.5~1.65	20-16			
ICTDV 480520-F ○	5.0	19.5	2.4	4.5	10.0	0.5	1.04~2.63	16-14	1,500	NC 12A	BLUE
ICTDV 480820-F ○						0.8					

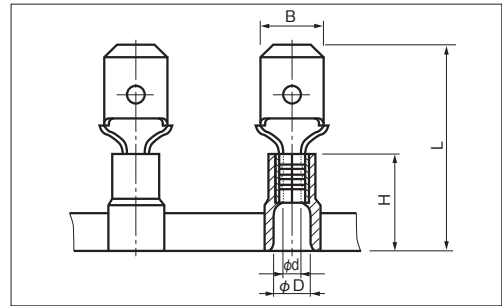
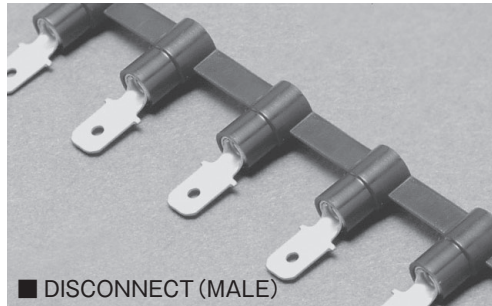
■ FEMALE DISCONNECT .250 SERIES

PART NUMBER	DIMENSIONS mm					MATING TAB THICKNESS mm	WIRE RANGE		QTY/REEL	APPLICATOR	STD COLOR
	B	L	φd	φD	H		STRANDED mm ²	AWG			
ICTDV 630809-F ○	6.8	21.0	1.7	4.1	10.0	0.8	0.3~0.75	22-18	1,500	NC 11A2 NC 11A	RED
ICTDV 630820-F ○							0.5~1.65	20-16			
ICTDV 630855-F ○	6.8	25.0	3.5	6.8	14.0	0.8	2.63~4.6	12	1,000	NC 13A2 NC 13A	YELLOW
							4.6~6.64	10			

NOTE 1) ○ : UL·CSA

- 2) Refer to page 104 for UL/CSA and proper strip length of wire.
- 3) Applicator shall be selected by wire range. (NC11A2/NC11A) (NC13A2/NC13A)

INSULATED CHAIN TERMINALS (DISCONNECTS) ICTDV : Vinyl



RoHS10
See page 2

MALE DISCONNECT .187 SERIES

PART NUMBER	DIMENSIONS mm					TAB THICKNESS mm	WIRE RANGE		QTY/REEL	APPLICATOR	STD COLOR
	B	L	ϕd	ϕD	H		STRANDED mm ²	AWG			
ICTDV 480520-M ○	4.8	19.5	2.3	4.5	10.0	0.5	1.04~2.63	16-14	1,500	NC 12A	BLUE

MALE DISCONNECT .250 SERIES

PART NUMBER	DIMENSIONS mm					TAB THICKNESS mm	WIRE RANGE		QTY/REEL	APPLICATOR	STD COLOR
	B	L	ϕd	ϕD	H		STRANDED mm ²	AWG			
ICTDV 630809-M ○	6.35	21.0	1.85	4.1	10.0	0.8	0.3~0.75 0.5~1.65	22-18 20-16	1,500	NC 11A2 NC 11A	RED
ICTDV 630820-M ○	6.35	21.0	2.55	4.5	10.0	0.8	1.04~2.63	16-14	1,500	NC 12A	BLUE

NOTE 1) ○ : UL-CSA

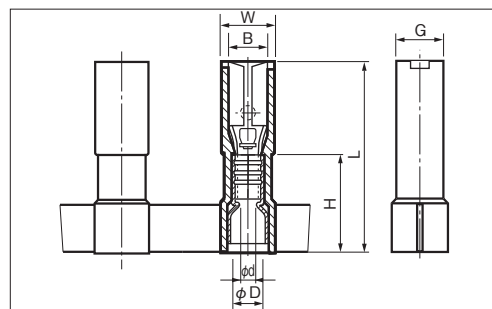
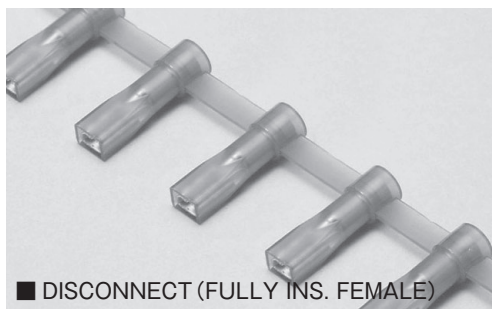
2) Refer to page 104 for UL/CSA, proper strip length of wire.

3) Applicator shall be selected by wire range. (NC11A2/NC11A)

E

INSULATED CHAIN TERMINALS (DISCONNECTS)

ICTDEN : Nylon
ICTDN

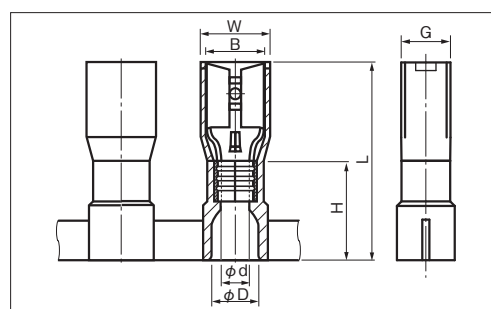
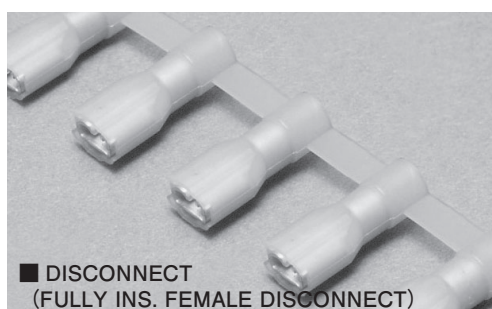


RoHS10

See page 2

■ FULLY INS. FEMALE DISCONNECT .110 SERIES

PART NUMBER	DIMENSIONS mm							MATING TAB THICKNESS mm	WIRE RANGE		QTY/REEL	APPLICATOR	STD COLOR
	B	W	L	ϕd	ϕD	H	G		STRANDED mm ²	AWG			
ICTDEN 280509-FA ○	3.2	5.5	19.5	1.9	3.4	10.0	4.8	0.5	0.3 1.25	22-16	1,500	NC 11JN	RED
ICTDEN 280809-FA ○								0.8					RED TRANSLUCENT

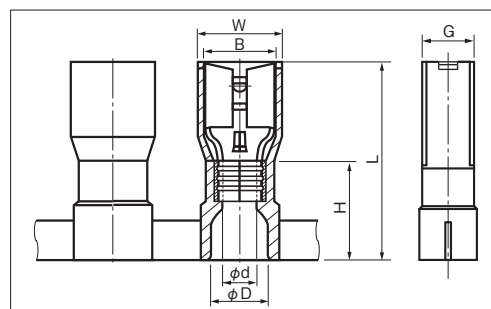


RoHS10

See page 2

■ FULLY INS. FEMALE DISCONNECT .187 SERIES

PART NUMBER	DIMENSIONS mm							MATING TAB THICKNESS mm	WIRE RANGE		QTY/REEL	APPLICATOR	STD COLOR
	B	W	L	ϕd	ϕD	H	G		STRANDED mm ²	AWG			
ICTDN 480509-FA ○	5.0	7.2	19.5	1.8	4.1	9.8	4.85	0.5	0.3 1.25	22-16	1,500	NC 11EN	RED
ICTDN 480809-FA ○								0.8					RED TRANSLUCENT
ICTDN 480520-FA ○	5.0	7.2	19.5	2.4	4.5	9.8	5.6	0.5	1.04 2.63	16-14	1,500	NC 12EN	BLUE
ICTDN 480820-FA ○								0.8					BLUE TRANSLUCENT



RoHS10

See page 2

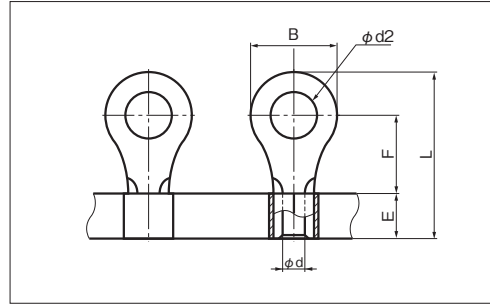
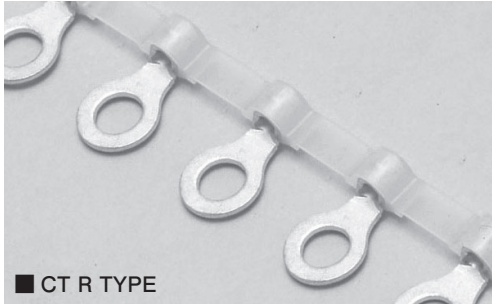
■ FULLY INS. FEMALE DISCONNECT .250 SERIES

PART NUMBER	DIMENSIONS mm							MATING TAB THICKNESS mm	WIRE RANGE		QTY/REEL	APPLICATOR	SYD COLOR
	B	W	L	ϕd	ϕD	H	G		STRANDED mm ²	AWG			
ICTDN 630809-FA ○	6.8	8.9	21.0	1.7	4.1	9.8	5.5	0.8	0.3~1.25	22-16	1,000	NC 11FN	RED
ICTDN 630820-FA ○				2.3	4.5				1.04~2.63				16-14

NOTE 1) ○ : UL·CSA

2) Refer to page 104 for UL/CSA, proper strip length of wire and Nylon insulated products.

NON-INSULATED CHAIN TERMINALS (R TYPE)



RoHS 10
See page 2

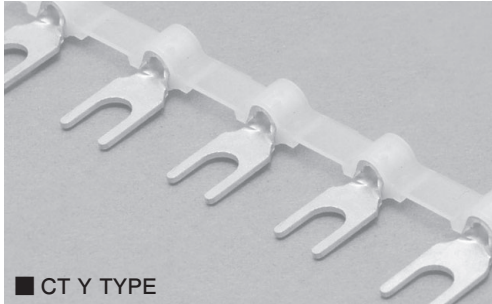
■ CT R TYPE

PART NUMBER	DIMENSIONS mm					WIRE RANGE			QTY/REEL	APPLICATOR		
	$\phi d2$	B	L	F	E	ϕd	SOLID mm	STRANDED mm ²			AWG	
1.25-3 ○	3.2	5.5	12.0	4.75	4.5	1.7	0.57 1.44	0.25 1.65	22-16	1,500	NC 1A	
1.25-3S ○		5.7	11.9	4.55								
1.25-3.5N ○	3.7	5.6	14.9	7.6								
1.25-3.5S ○		5.7	11.9	4.55								
1.25-3.5 ○		6.6	13.3	5.5								
1.25-3.5M ○	4.3	6.8	13.9	6.0								
1.25-4M ○		8.0	15.6	7.1								
1.25-4 ○	5.3	8.0	15.6	7.1								
1.25-5 ○	6.4	12.0	20.2	9.7								
1.25-6 ○	8.4	12.0	20.2	9.7								
1.25-8 ○	8.4	12.0	20.2	9.7								
2-3N ○	3.2	5.6	14.9	7.6	4.5	2.3	1.14 1.82	1.04 2.63	16-14	1,500	NC 2A	
2-3S ○		5.7	12.3	4.95								
2-3 ○	6.5	12.7	4.95									
2-3.5N ○	3.7	5.6	14.9	7.6								
2-3.5NS ○		6.5	12.7	4.95								
2-3.5 ○		6.6	14.4	6.6								
2-3.5S ○	4.3	6.6	15.4	7.6								
2-4S ○		8.5	16.5	7.75								
2-4 ○	5.3	8.0	16.0	7.5								
2-5M ○	9.5	17.0	7.75									
2-5 ○	6.4	12.0	21.5	11.0								
2-6 ○	8.4	12.0	21.5	11.0								
2-8 ○	8.4	12.0	21.5	11.0								
2-10 ○	10.5	15.0	24.5	12.5								
5.5-3N ○	3.2	7.0	17.2	7.2	6.5	3.4	1.82 2.89	2.63 6.64	12-10	1,000	NC 3A	
5.5-3S ○		9.0	18.2									
5.5-3.5N ○	3.7	7.0	17.2									
5.5-4N ○	4.3	7.0	17.2									
5.5-4S ○		9.0	18.2									
5.5-4 ○	5.3	9.5	19.5									8.25
5.5-5N ○		8.0	17.7									7.2
5.5-5S ○	9.0	18.2	7.2									
5.5-5 ○	9.5	19.5	8.25									
5.5-6 ○	6.4	12.0	23.0									10.5
5.5-8 ○	8.4	15.0	28.0									14.0
5.5-10 ○	10.5	15.0	28.0	14.0								

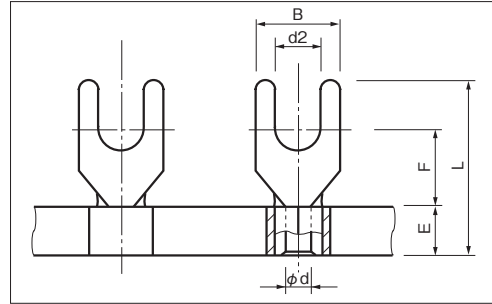
NOTE 1) ○ : UL·CSA

2) Refer to page 104 for UL/CSA and proper strip length of wire.

NON-INSULATED CHAIN TERMINALS (Y TYPE)

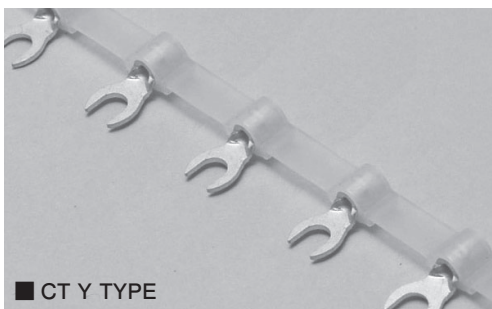


■ CT Y TYPE

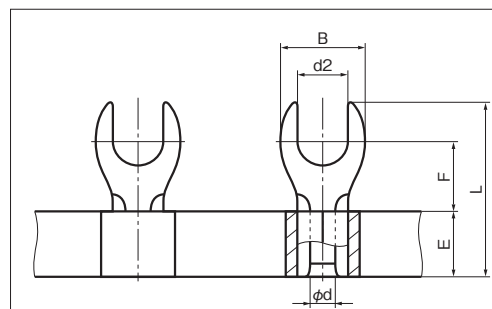


RoHS10
See page 2

PART NUMBER	DIMENSIONS mm						WIRE RANGE			QTY/REEL	APPLICATOR							
	d2	B	L	F	E	φd	SOLID mm	STRANDED mm ²	AWG									
CT 1.25Y-2.5 ○	2.7	4.7	11.7	5.1	4.5	1.7	0.57 } 1.44	0.25 } 1.65	22-16	1,500	NC 1A							
1.25Y-3K ○	3.2	5.6	15.0	5.8														
1.25Y-3		5.8	16.0	6.6														
1.25Y-3N ○	3.7	5.6	15.0	5.8														
1.25Y-3.5K ○		5.8	16.0	6.8														
1.25Y-3.5	4.3	6.2	16.0	6.8														
1.25Y-3L ○		6.4	16.4	7.6														
1.25Y-4N ○		7.0	16.4	7.6														
1.25Y-4S ○	5.3	8.1	17.5	8.3														
1.25Y-4M ○		9.6	17.5	8.3														
1.25Y-4L ○	6.4	9.6	17.5	8.3														
1.25Y-5		11.0	20.0	8.6														
2Y-3 ○	3.2	5.9	15.8	6.6								4.5	2.3	1.14 } 1.82	1.04 } 2.63	16-14	1,500	NC 2A
2Y-3.5S	3.7	5.8		6.6														
2Y-3.5 ○		6.4	7.6															
2Y-3.5L ○	4.3	7.0	16.0	7.0														
2Y-4N ○		8.0	16.0	7.1														
CT 2Y-4S ○	5.3	10.0	17.1	8.7														
2Y-4 ○		8.0	16.0	7.1														
2Y-4M ○	6.4	10.0	17.1	8.7														
2Y-5 ○		12.0	18.0	8.5														
2Y-5M ○	6.4	12.0	19.0	8.6														
2Y-5L ○		19.0	19.0	8.6														
2Y-6 ○	4.3	8.4	18.2	7.2	6.5	3.4	1.82 } 2.89	2.63 } 6.64	12-10	1,000	NC 3A							
CT 5.5Y-4S ○		9.0																
5.5Y-4 ○		5.2	12.5	25.2								12.0						
5.5Y-5 ○		6.4	12.5	25.2								12.0						
5.5Y-6 ○	6.4	12.5	25.2	12.0														



■ CT Y TYPE



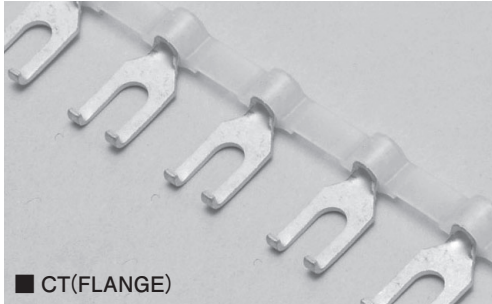
RoHS10
See page 2

PART NUMBER	DIMENSIONS mm						WIRE RANGE			QTY/REEL	APPLICATOR
	d2	B	L	F	E	φd	SOLID mm	STRANDED mm ²	AWG		
CT 1.25Y-3S ○	3.2	5.7	11.9	4.8	4.5	1.7	0.57 } 1.44	0.25 } 1.65	22-16	1,500	NC 1A

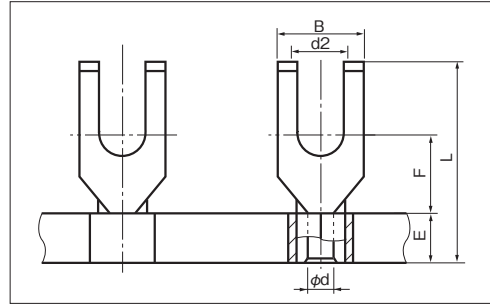
NOTE 1) ○ : UL·CSA

2) Refer to page 104 for UL/CSA and proper strip length of wire.

NON-INSULATED CHAIN TERMINALS (Y TYPE)

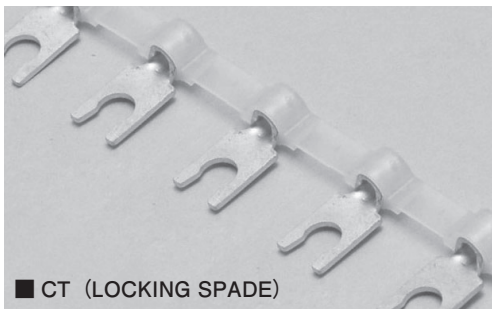


■ CT(FLANGE)

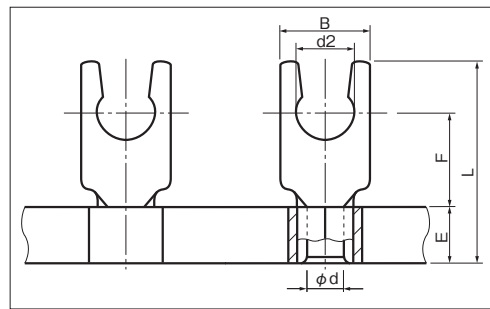


RoHS10
See page 2

PART NUMBER		DIMENSIONS mm						WIRE RANGE			QTY/REEL	APPLICATOR
		d2	B	L	F	E	φd	SOLID mm	STRANDED mm ²	AWG		
CT 1.25Y-3W	○	3.7	7.7	14.0	5.6	4.5	1.7	0.57	0.25	22-16	1,500	NC 1AW
	○	4.3						1.44	1.65			
	○	5.3						1.82	2.63			
CT 2Y-3W	○	3.7	8.0	18.5	4.3	4.5	2.3	1.14	1.04	16-14	1,500	NC 2AW
	○	4.3						1.82	2.63			
	○	5.3						1.82	2.63			



■ CT (LOCKING SPADE)



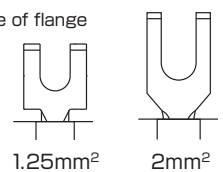
RoHS10
See page 2

PART NUMBER		DIMENSIONS mm						WIRE RANGE			QTY/REEL	APPLICATOR
		d2	B	L	F	E	φd	SOLID mm	STRANDED mm ²	AWG		
CT 1.25LY-3S	○	3.2	6.4	14.0	6.6	4.5	1.7	0.57	0.25	22-16	1,500	NC 1A
	○	3.7						1.44	1.65			
	○	4.3						1.82	2.63			
	○	5.3						1.82	2.63			
CT 2LY-3S	○	3.2	6.4	14.0	6.6	4.5	2.3	1.14	1.04	16-14	1,500	NC 2A
	○	3.7						1.82	2.63			
	○	4.3						1.82	2.63			
	○	5.3						1.82	2.63			
CT 5.5LY-3.5S	○	3.7	7.9	18.2	7.6	6.5	3.4	1.82	2.63	12-10	1,000	NC 3A
	○	4.3						2.89	6.64			
	○	5.3						2.89	6.64			

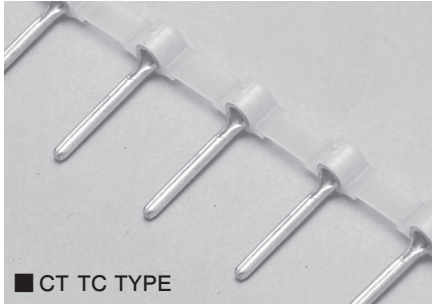
NOTE

- : UL·CSA
- Refer to page 104 for UL/CSA and proper strip length of wire.

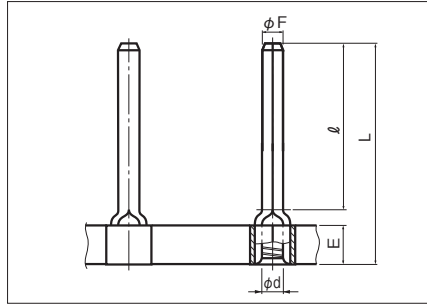
Shape of flange



NON-INSULATED CHAIN TERMINALS (TC TYPE) (BT TYPE)

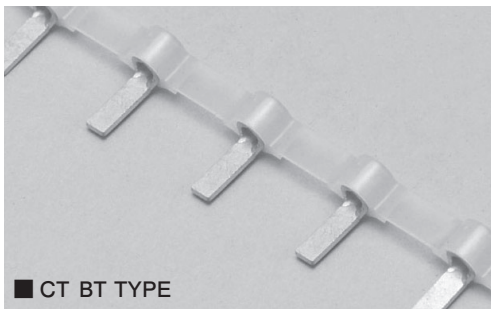


■ CT TC TYPE

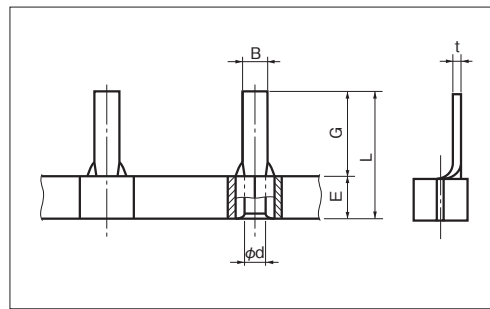


RoHS10
See page 2

PART NUMBER	DIMENSIONS mm					WIRE RANGE			QTY/REEL	APPLICATOR
	φF	ℓ	L	E	φd	SOLID mm	STRANDEDmm ²	AWG		
CT TC-1.25-11 ○	1.9	11.0	17.5	4.5	1.7	0.57 ∩ 1.44	0.25 ∩ 1.65	22-16	1,500	NC 1AC
CT TC-1.25-11S ○	1.5									
CT TC-1.25-16 ○	1.9	16.0	22.0							
CT TC-1.25-16S ○	1.5									
CT TC-1.25-20 ○	1.9	20.0	26.0							
CT TC-1.25-20S ○	1.5									
CT TC-2-11 ○	1.9	11.0	17.5	4.5	2.3	1.14 ∩ 1.82	1.04 ∩ 2.63	16-14	1,500	NC 2AC
CT TC-2-11S ○	1.5									
CT TC-2-16 ○	1.9	16.0	22.0							
CT TC-2-16S ○	1.5									
CT TC-2-20 ○	1.9	20.0	26.0							
CT TC-2-20S ○	1.5									
CT TC-5.5-11 ○	2.7	11.0	21.0	6.5	6.5	1.82~2.89	2.63~6.64	12-10	1,000	NC 3AC



■ CT BT TYPE



RoHS10
See page 2

PART NUMBER	DIMENSIONS mm					WIRE RANGE			QTY/REEL	APPLICATOR	
	B	t	L	G	E	φd	SOLID mm	STRANDED mm ²			AWG
BT-1.25-9-1	2.2	0.75	13.5	9.0	4.5	1.7	0.57 ∩ 1.44	0.25 ∩ 1.65	22-16	1,500	NC-1A
BT-1.25-9 ○	2.8		13.6	9.1							
BT-1.25-10-1 ○	2.2		15.0	10.5							
CT BT-1.25-10 ○	3.4		14.8	10.3							
BT-1.25-11 ○	3.0		15.7	11.2							
BT-1.25-14 ○			19.1	14.6							
BT-1.25-18	2.2		23.0	18.5							
BT-2-9-1	2.2	0.85	13.5	9.0	4.5	2.3	1.14 ∩ 1.82	1.04 ∩ 2.63	16-14	1,500	NC-2A
CT BT-2-9 ○	2.8		13.6	9.1							
BT-2-18	2.2		23.0	18.5							
BT-5.5-10 ○	2.8	0.95	16.5	10.0	6.5	3.4	1.82 ∩ 2.89	2.63 ∩ 6.64	12-10	1,000	NC-3A
CT BT-5.5-13 ○	4.5		19.5	13.0							
BT-5.5-18			24.5	18.0							

NOTE

- : UL·CSA
- Refer to page 104 for UL/CSA and proper strip length of wire.

STRIPPED CHAIN TERMINALS

Nichifu's open barrel chain style terminals are useful for crimping in larger quantities. Ring (insulation grip, single grip), disconnect and bullet are available.

SPECIFICATION

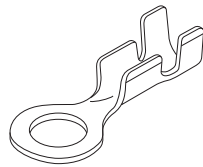
■ MATERIAL BRASS
(Electro-Tin-Plating)

NOTE

Do not use under ammonia atmosphere.

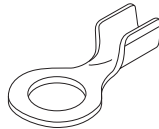
■ FEATURES

RING(W/INS. GRIP)
TYPE A



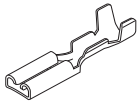
The open barrel Ring type is known as most basic of all the terminals. This terminal is very cost efficient. With the insulation grip, the open barrel ring type has resistance to vibration and high tensile strength for crimping lead wire.

RING (SINGLE GRIP)
TYPE N

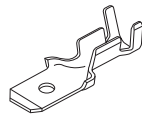


Used in devices with minimal amount of vibration and lower tensile strength.

DISCONNECT
W/INS. GRIP
FEMALE

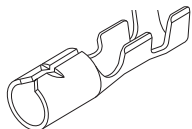


DISCONNECT
W/INS. GRIP
MALE

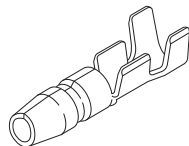


The open barrel female disconnect fits precisely into the corresponding male tab terminal. The available width is .110, .187, and .250, and the standard thickness of male disconnect tab is 0.5mm and 0.8mm.

RECEPTACLE



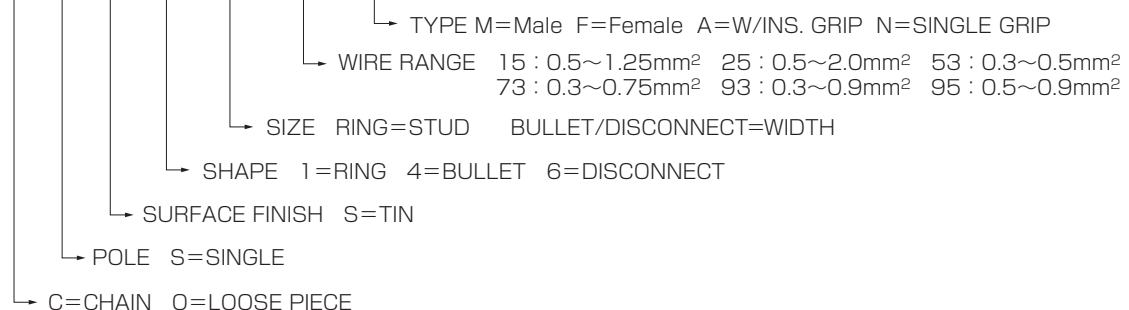
BULLET



Mostly common for automobile wiring.

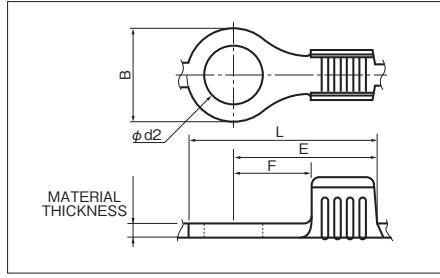
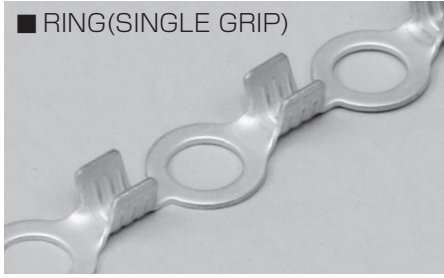
■ STRUCTURE OF OUR PART NUMBER

C S S 6 63 25 M



STRIPPED CHAIN TERMINALS

■ RING(SINGLE GRIP)



RoHS10

See page 2

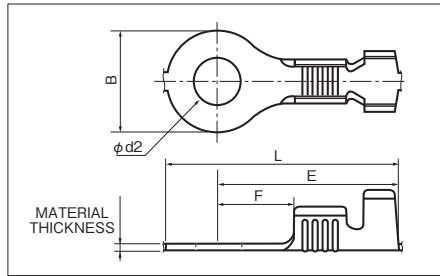
Inquire for minimum quantity.

PART NUMBER	DIMENSIONS mm						FINISH	WIRE RANGE		MATERIAL	TOOL No.		QTY/REEL
	$\phi d2$	B	L	F	E	MATERIAL THICKNESS		mm ²	AWG		BODY	APPLICATOR	
CSS 13273-N	3.2	4.6	9.8	4.1	7.5	0.4	TIN	0.3~0.75	22-18	BRASS	NCM3	MB 52	25,000
CSS 13715-N	3.7	6.0		3.8	6.8			0.5~1.25	20-16			MB 55	20,000
CSS 13225-N	3.2	6.0	12.2	5.0	9.2	0.5		0.5~2.0	20-14			MB 51	10,000
CSS 13225-N2		6.5	13.3	6.75	10.05							MB 54	
CSS 13725-N	3.7	6.0	12.2	5.0	9.2	MB 51							
CSS 13725-N2		6.5	13.3	6.75	10.05	MB 54							
CSS 14325-N2	4.3	6.5	13.3	6.75	10.05	0.5~2.0	20-14	MB 54	10,000				

NOTE

1) ○ : UL·CSA

■ RING (W/INSULATION GRIP)



RoHS10

See page 2

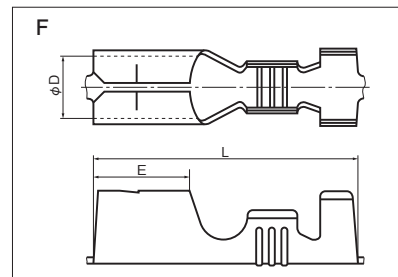
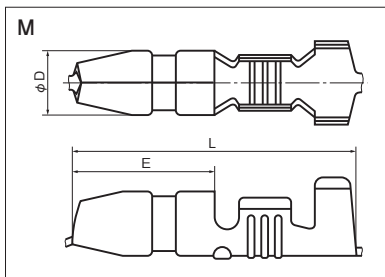
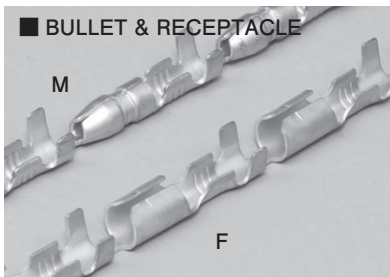
Inquire for minimum quantity.

PART NUMBER	DIMENSIONS mm						FINISH	WIRE RANGE		MATERIAL	TOOL No.		QTY/REEL
	$\phi d2$	B	L	F	E	MATERIAL THICKNESS		mm ²	AWG		BODY	APPLICATOR	
CSS 14325-A	4.3	8.0	18.7	6.3	14.7	0.5	TIN	0.5~2.0	20-14	BRASS	NCM 3	MB 01	5,000
CSS 15325-A	5.3												

NOTE

1) ○ : UL·CSA

■ BULLET & RECEPTACLE

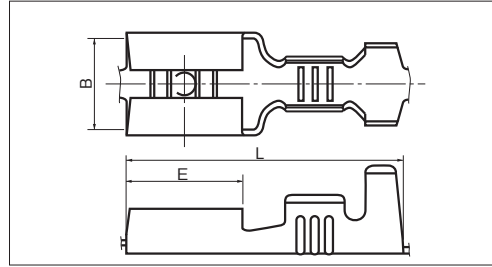
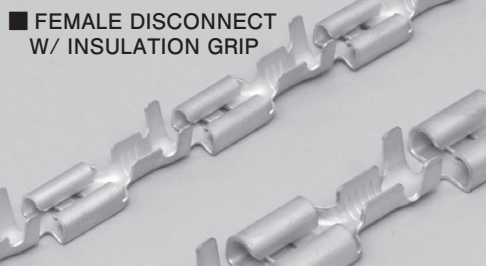


RoHS10

See page 2

PART NUMBER	DIMENSIONS mm				FINISH	WIRE RANGE		MATERIAL	TOOL No.		QTY/REEL
	ϕD	E	L	MATERIAL THICKNESS		mm ²	AWG		BODY	APPLICATOR	
CSS 43925-M	3.96	8.7	17.5	0.5	TIN	0.5~2.0	20-14	BRASS	NCM 3	GB 01	5,000
CSS 43925-F	3.9	6.4		0.4							

STRIPPED CHAIN TERMINALS



RoHS 10

See page 2

187 SERIES FEMALE, SINGLE POLE

Inquire for minimum quantity.

PART NUMBER	DIMENSIONS mm				MATING TAB THICKNESS	FINISH	WIRE RANGE		MATERIAL	TOOL No.		QTY/REEL
	B	E	L	MATERIAL THICKNESS			mm ²	AWG		BODY	APPLICATOR	
CSS 64815-F	5.0	6.4	15.3	0.3	0.5	TIN	0.5~1.25	20-16	BRASS	NCM 3	FB 54	10,000

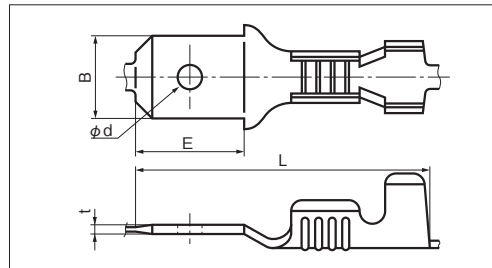
250 SERIES FEMALE, SINGLE POLE

Inquire for minimum quantity.

PART NUMBER	DIMENSIONS mm				MATING TAB THICKNESS	FINISH	WIRE RANGE		MATERIAL	TOOL No.		QTY/REEL
	B	E	L	MATERIAL THICKNESS			mm ²	AWG		BODY	APPLICATOR	
CSS 66325-F ○	6.8	7.8	19.0	0.45	0.8	TIN	0.5~2.0	20-14	BRASS	NCM 3	FB 51A	5,000

NOTE

1) ○ : UL·CSA



RoHS 10

See page 2

250 SERIES MALE, SINGLE POLE

Inquire for minimum quantity.

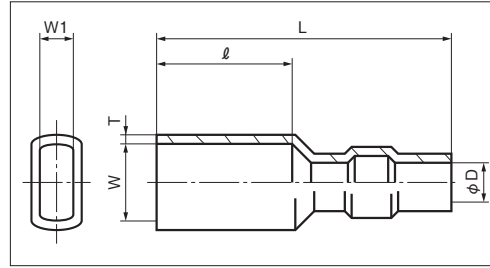
PART NUMBER	DIMENSIONS mm						FINISH	WIRE RANGE		MATERIAL	TOOL No.		QTY/REEL
	B	E	L	φd	t	MATERIAL THICKNESS		mm ²	AWG		BODY	APPLICATOR	
CSS 66325-M ○	6.35	7.8	19.2	2.0	0.8	—	TIN	0.5~2.0	20-14	BRASS	NCM 3	FB 01	5,000

NOTE

1) ○ : UL·CSA

INSULATION CAP FOR FEMALE DISCONNECTS

■ INSULATION CAP

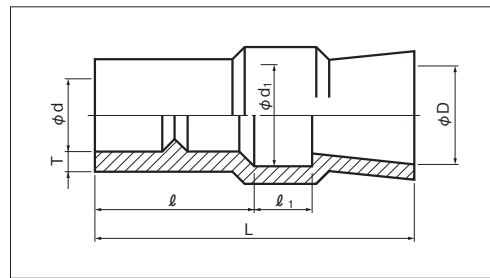


RoHS10
See page 2

PART NUMBER	DIMENSIONS mm						WIRE RANGE (mm ²)	STD QTY/BAG	
	φD	W	W1	L	l	T			
110SERIES	62818-F	1.8	4.0	1.8	22.0	9.5	0.7	0.3	1,000
	62826-F	2.5						0.5, 0.9	1,000
	62832-F	3.0						1.25, 2	1,000
187SERIES	64820-F	2.0	6.0	2.5	24.0	11.5	0.7	0.3	1,000
	64826-F	2.5						0.5, 0.9	1,000
	64832-F	3.0						1.25, 2	1,000
	64835-F	3.5						2	1,000
250SERIES	64840-F	4.0	8.0	3.5	26.0	11.5	0.8	3.5	1,000
	66326-F	2.5						0.5, 0.9	1,000
	66332-F	3.2						1.25, 2	1,000
	66335-F	3.5						3.5	1,000
	66340-F	4.0						3.5	1,000
	66345-F	4.5						5.5	1,000
66350-F	5.0	8	1,000						

INSULATION CAPS FOR BULLETS/RECEPTACLES

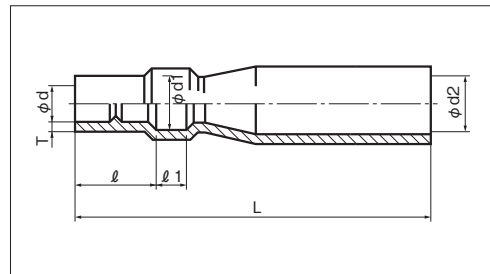
■ FOR BULLET



RoHS10
See page 2

PART NUMBER	DIMENSIONS mm						WIRE SIZE (mm ²)	STD QTY/BAG	
	φd	φd1	φD	l	l1	L			T
43926-M	2.5	4.5	3.2	7.0	2.5	14.0	0.7	0.5	1,000
43932-M	3.2							1.25	
43935-M	3.5							2.0	

■ FOR RECEPTACLE



RoHS10
See page 2

PART NUMBER	DIMENSIONS mm						WIRE SIZE (mm ²)	STD QTY/BAG	
	φd	φd1	φd2	l	l1	L			T
43926-F	2.5	4.5	5.0	7.0	2.5	34.0	1.0	0.8	1,000
43932-F	3.2							1.25	
43935-F	3.5							2.0	

SPECIFICATION

- MATERIAL: P.V.C.
- COLOR: TRANSPARENT
- RATED VOLTAGE: 300V
- RATED TEMP. (MAX) : 60°C

STRIPPED CHAIN TERMINAL CRIMPING MACHINE • APPLICATORS

■ CRIMPING MACHINE



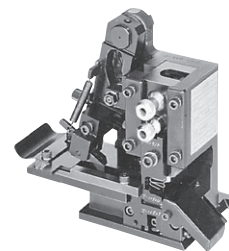
A mounted applicator for various terminal types and sizes automatically feeds linked terminals one by one to the crimping die.

Safe, secure and continuous work is controlled by a foot pedal.

■ SPECIFICATION

PART NO.	NCM 3
POWER	20kN
STROKE	30mm
INPUT	AC 100V 50/60Hz
WEIGHT	90kg
DIMENSIONS	360W×388L×470H

■ APPLICATOR



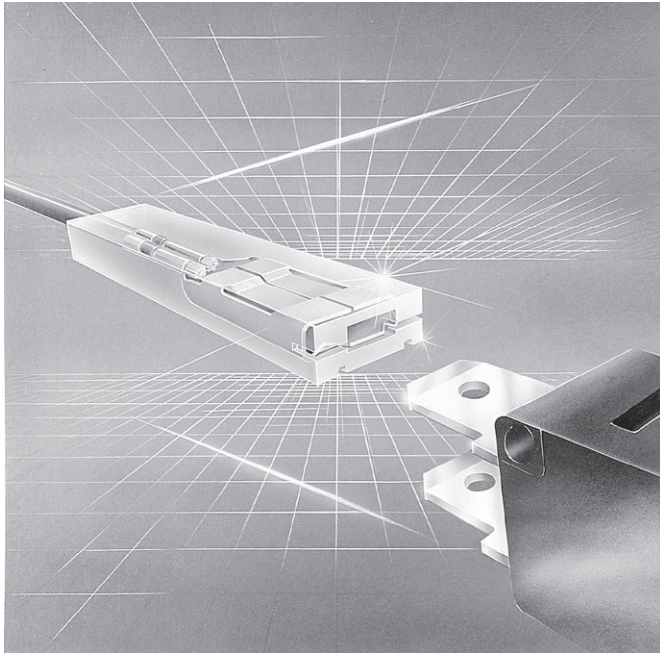
Various terminals can be crimped by one-touch change of the applicator. Wire and insulation crimp height can be controlled by dial setting.

SHAPE OF TERMINAL	PART NUMBER	APPLICATOR PART No.	
RING W/INS. GRIP	CSS 14325-A, CSS 15325-A	MB 01	
RING SINGLE GRIP	CSS 13225-N, CSS 13725-N	MB 51	
	CSS 13273-N	MB 52	
	CSS 13225-N2, CSS 13725-N2	MB 54	
	CSS 14325-N2		
	CSS 13715-N	MB 55	
DISCONNECT	187 SERIES F	CSS 64815-F	FB 54
W/INS. GRIP	250 SERIES F	CSS 66325-F	FB 51A
	M	CSS 66325-M	FB 01
BULLET/RECEPTACLE	CSS 43925-F, CSS 43925-M	GB 01	
* DISC. FOR EASY LOCK CONNECTOR	110 SERIES	CSS 62852-F3	FB 65
		CSS 62815-F3	FB 66
187 SERIES		CSS 64873-F3	FB 59
		CSS 64815-F3	FB 60
	250 SERIES	CSS 66393-F3-1	FB 61A
		CSS 66325-F3-1	FB 62A

* See page 131~134 for EASY LOCK CONNECTOR.

EASY LOCK CONNECTORS

Easy lock connectors enable fast/easy/secure connection.
Locking mechanism ensures the connection with low insertion force.



■ FEATURES

1. Locking Mechanism

Locking mechanism assures the safety of the connection by preventing withdrawal from vibration or wire tension.

2. Very low insertion force

Very low insertion force is required to insert a mated tab. Operators can connect easily.

3. Very low withdrawal force

As same as insertion, very low withdrawal force is required. Just squeeze to release the locking mechanism, and pull off the housing.

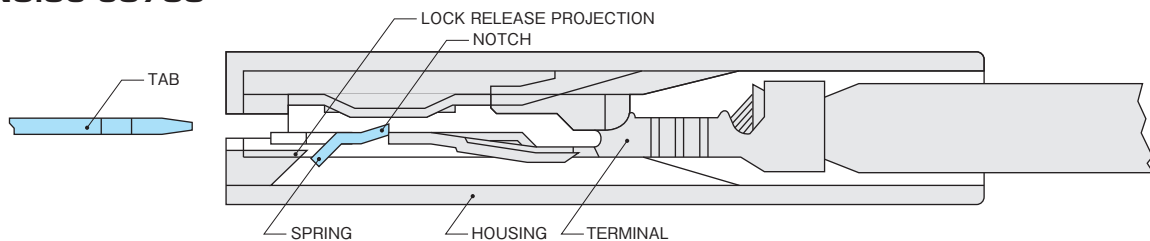
■ SPECIFICATIONS

ITEM	series	110 series	187 series	250 series
RATED VOLTAGE/CURRENT		AC250V 10A	AC250V 10A	AC250V 13A
INSULATION RESISTANCE		1000MΩ	1000MΩ	1000MΩ
WITHSTAND VOLTAGE		AC2000V	AC2000V	AC2000V
INSULATION TEMPERATURE		-40°C~+105°C		
CONTACT RETENTION FORCE		41N or more	50N or more	80N or more
CONTACT MATERIAL		PRE - TIN BRASS		
HOUSING MATERIAL		NYLON-66 (94V-0,94V-2)	NYLON-66 (94V-2)	NYLON-66 (94V-2)

⚠ FOR SAFETY USE

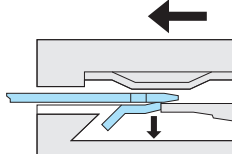
Use with mated tab only.
Use with applicable housing.
Please observe the above points to prevent over heat and possible fire.

PAT.NO.56-63783



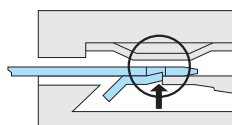
■ MECHANISM

① TAB INSERTION



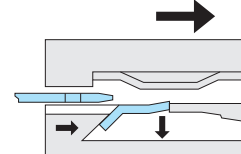
When tab is inserted, spring is lowered.

② SECURE THE LOCK



The projection fits into mating tab hole for sure lock.

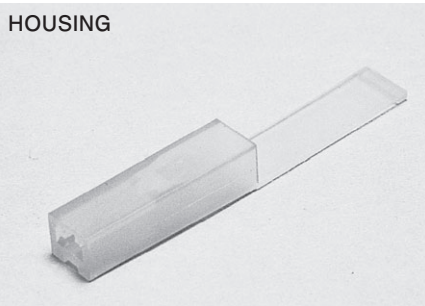
③ WITHDRAWAL



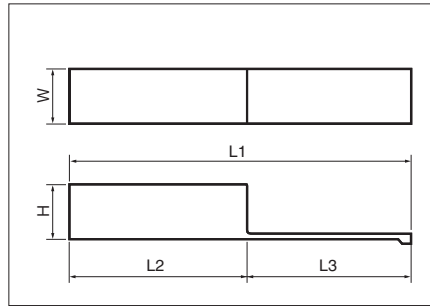
By squeezing the housing, spring is lowered out of the notch.

EASY LOCK CONNECTORS

110 SERIES



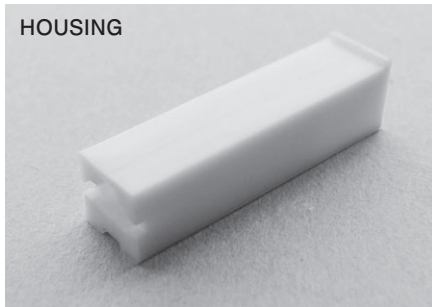
HOUSING



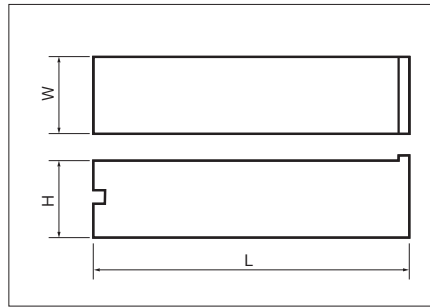
This type has a tab for numbering a wire (L3).

RoHS10
See page 2

PART NUMBER	DIMENSIONS mm					POLE	MATERIAL	STD COLOR	APPLICABLE TERMINAL	QTY
	W	H	L ₁	L ₂	L ₃					
NET 1-28-1P-V2 ◇	5.8	5.0	39	20	19	1	NYLON66(94V-2)	BLUE TRANSLUCENT	OSS 62852-F3 CSS 62852-F3 OSS 62815-F3 CSS 62815-F3	500



HOUSING

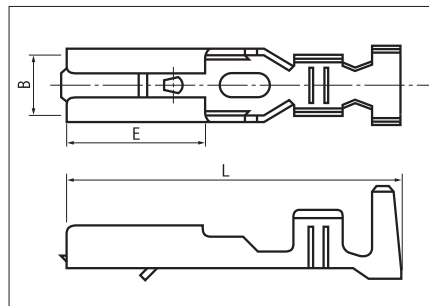


RoHS10
See page 2

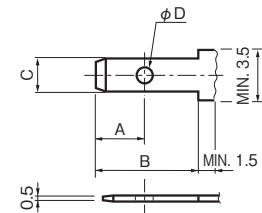
PART NUMBER	DIMENSIONS mm			POLE	MATERIAL	STD COLOR	APPLICABLE TERMINAL	QTY
	W	H	L					
NEM 1-28-1P-V0 ○	5.8	5.4	23	1	NYLON66(94V-0)	WHITE	OSS 62852-F3 CSS 62852-F3 OSS 62815-F3 CSS 62815-F3	500



TERMINAL



MATED TAB DIMENSIONS



APPLICABLE HOUSING PART NO.	DIMENSIONS mm			
	A	B	C	D
NET 1-28-1P	1.6±0.1	8.5±0.1	2.8±0.1	φ1.2±0.1
NEM 1-28-1P		7.5±0.1		

RoHS10
See page 2

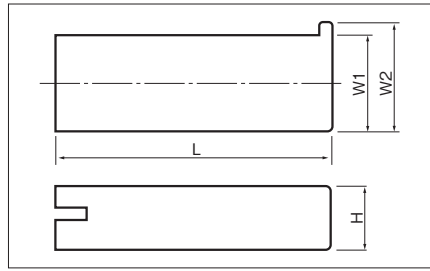
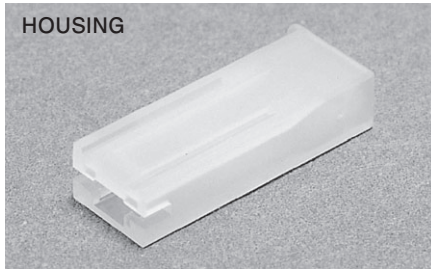
PART NUMBER	DIMENSIONS mm			WIRE RANGE		TOOL No.		QTY
	B	E	L	mm ²	AWG	BODY	APPLICATOR	
OSS 62852-F3 ○	3.1	7.0	17.0	0.2~0.3	24-22	NH 71A		500
OSS 62815-F3 ○				0.5~1.25	20-16			
CSS 62852-F3 ○	3.1	7.0	17.0	0.2~0.3	24-22	NCM 3	FB 65	4,000
CSS 62815-F3 ○				0.5~1.25	20-16		FB 66	

OSS: Loose piece terminal CSS: Strip terminal

NOTE 1) ○ : UL·CSA ◇ : CSA

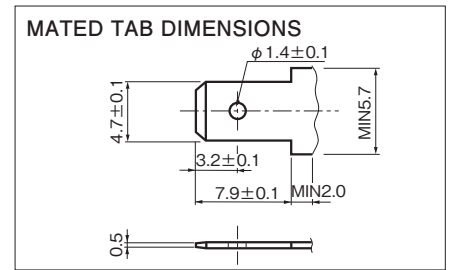
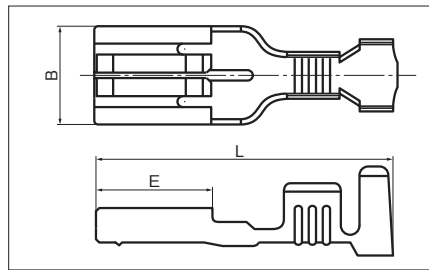
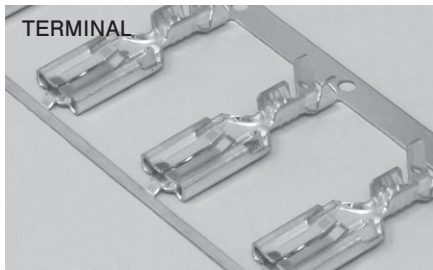
EASY LOCK CONNECTORS

187 SERIES



RoHS10
See page 2

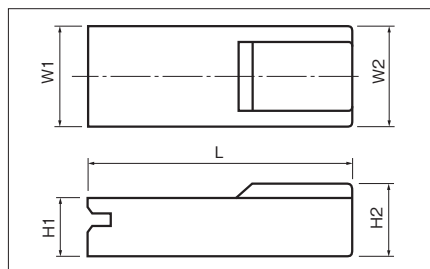
PART NUMBER		DIMENSIONS mm				POLE	MATERIAL	STD COLOR	APPLICABLE TERMINAL	QTY
		W ₁	W ₂	H	L					
NEP 2-48-1P-V2	○	7.7	8.7	5.0	22.0	1	NYLON66 (94V-2)	MLKY WHITE	CSS 64873-F3 CSS 64815-F3	500



RoHS10
See page 2

PART NUMBER		DIMENSIONS mm			MATING TAB THICKNESS mm	WIRE RANGE		TOOL No.		QTY/REEL
		B	E	L		mm ²	AWG	BODY	APPLICATOR	
CSS 64873-F3	○	5.0	6.8	18.0	0.5	0.3~0.75	22-18	NCM 3	FB 59	3,000
CSS 64815-F3	○					0.5~1.25	20-16		FB 60	

250 SERIES

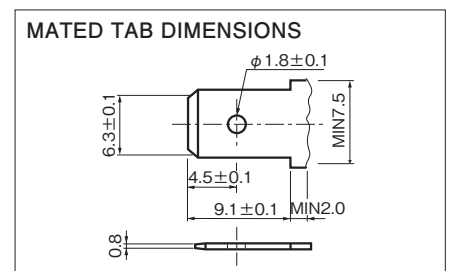
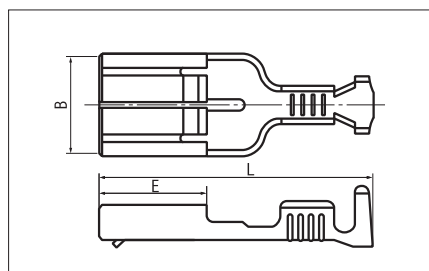
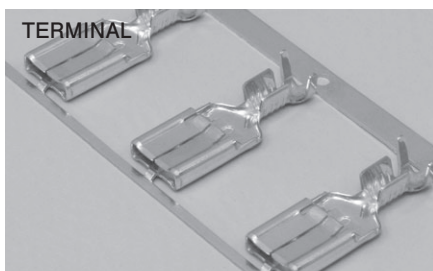


NOTE FOR CSA

Part No.84856 as CSA certified item.

RoHS10
See page 2

PART NUMBER		DIMENSIONS mm				POLE	MATERIAL	STD COLOR	APPLICABLE TERMINAL	QTY
		W	H ₁	H ₂	L					
NEP 1-63-1P-V2	○	9.2	5.1	6.3	24.65	1	NYLON66 (94V-2)	WHITE	CSS 66393-F3-1 CSS 66325-F3-1	500

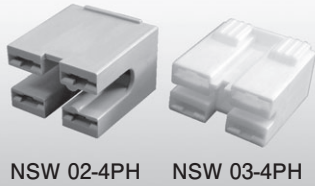


RoHS10
See page 2

PART NUMBER		DIMENSIONS mm			MATING TAB THICKNESS mm	WIRE RANGE		TOOL No.		QTY/REEL
		B	E	L		mm ²	AWG	BODY	APPLICATOR	
CSS 66393-F3-1	○	6.7	8.0	20.5	0.8	0.3~0.9	22-18	NCM 3	FB 61A	2,500
CSS 66325-F3-1	○					0.5~2.0	20-14		FB 62A	

NOTE1) ○ : UL·CSA

CONNECTORS FOR PANEL SWITCHES



FEATURES

Multiple Pole Connector

3 or 4 female disconnects within a housing, enables connection to mated switch's tabs simultaneously. A very low insertion force and smooth mating reduce operator fatigue and operating time.

Antivibration and polarizing mechanism

A new locking mechanism enables connections to be sure and safe. Even if the wires are pulled strongly, the mechanism works properly and does not disconnect. Also, vibration resistant.

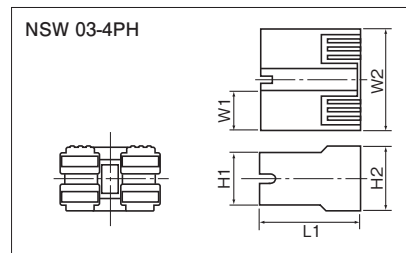
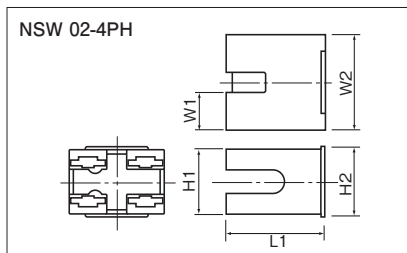
Easy disconnect

The connector is easily disconnected, if you hold the housing and pull out. The locking mechanism is released requiring a very low withdrawal force.

SPECIFICATIONS

CONTACT RESISTANCE	Less than 2MΩ		
INSULATION RESISTANCE	More than 1000MΩ(DC 500V)		
WITHSTAND VOLTAGE	AC 2200V/minute		
WIRE PULL OUT FORCE	0.3mm ² (AWG22)	38N or more	
	0.5mm ² (AWG20)	60N or more	
	0.75mm ² (AWG18)	80N or more	
	1.25mm ² (AWG16)	130N or more	
	2.0mm ² (AWG14)	190N or more	
CONTACT RETENTION FORCE	25N or more		
ENGAGEMENT FORCE (PER ONE POLE)	1ST	INSERTION FORCE 68N or less	WITHDRAWAL FORCE 13N or more

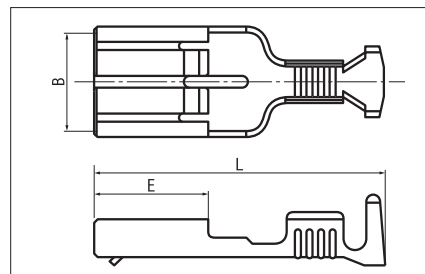
NUMBER OF POLE	4-pole	
ASSEMBLED P/N	NSW 02-63-4C	NSW 03-63-4C
PART NUMBER	HOUSING	NSW 02-4PH
	TERMINAL	NSW 03-4PH
MATERIAL	HOUSING	CSS 66393-F3-1 (AWG22-18)
	TERMINAL	CSS 66325-F3-1 (AWG20-14)
RATING	HOUSING	66 Nylon(94V-0)
	TERMINAL	Pre-tin Brass
	VOLTAGE	AC250V, DC300V
MATED SWITCH (MFR:HST)	CURRENT	15A (MAX)
	INS. TEMP.	-25°C~+85°C
		-40°C~+95°C
	Safety Door Switch	Power Switch
	FA series	RS1 series



RoHS 10

See page 2

PART NUMBER		DIMENSIONS mm						POLE	APPLICABLE TERMINAL	QTY
		W ₁	W ₂	H ₁	H ₂	L ₁	L ₂			
NSW 02-4PH	○	9.6	24.6	16.8	18.0	25.3	-	4	CSS 66393-F3-1	500
NSW 03-4PH	○	9.8	25.0	12.3	15.6	25.3	-	4	CSS 66325-F3-1	



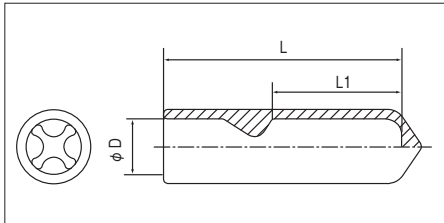
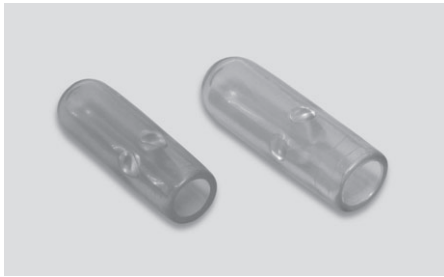
RoHS 10

See page 2

PART NUMBER		DIMENSIONS mm				MATING TAB THICKNESS	WIRE RANGE		WIRE DIA. mm		TOOL No.		QTY/REEL
		B	E	L			mm ²	AWG	MIN	MAX	BODY	APPLICATOR	
CSS 66393-F3-1	○	6.7	8.0	20.5	0.8	0.3~0.9	22-18	φ 1.5	φ 3.0	NCM 3	FB 61A	2,500	
CSS 66325-F3-1	○					0.5~2.0	20-14	φ 1.8	φ 3.8		FB 62A		

NOTE 1) ○ : UL·CSA

END CAPS (For open end connectors)



FEATURES

- Easy insulation treatment.
- Translucent cap makes easy inspection.
- Good insulation performance.

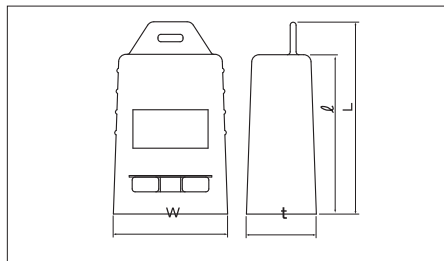
RoHS10
See page 2

SPECIFICATION

- MATERIAL P.V.C
- WITHSTAND VOLTAGE 300°C
- MAX. TEMPERATURE 60°C
- MIN. INSTALLATION TEMP. 0°C

PART NO.	DIMENSION mm			MATING CONNECTOR	STD COLOR	STD QTY/BOX
	φ D	L	L 1			
END V-S	7.0	30.2	(16.4)	E-S	RED TRANSLUCENT	500 (100×5)
END V-L	8.5	34.5	(17.1)	E-M,E-L	GREEN TRANSLUCENT	250 (50×5)

JOINT COVERS



FEATURES

- Protect wire jointed area.
- Joint Cover acts as a tension relief.
- Translucent and soft vinyl material.
- It has a groove on the back of the Joint Cover to fit suspension bolt.

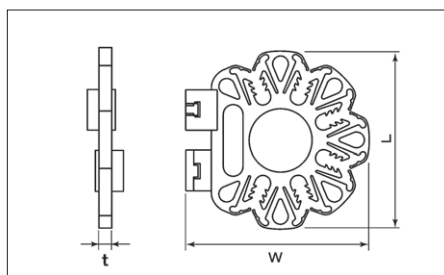
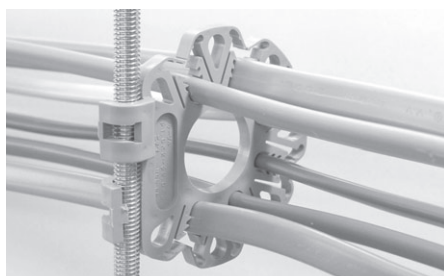
RoHS10
See page 2

SPECIFICATION

- MATERIAL P.V.C. UL94V-0 (Translucent)
- INSULATOR TEMPERATURE 75°C
- WITHSTAND VOLTAGE 3000V

PART NO.	DIMENSION mm				PACKING QTY
	L	ℓ	W	t	
JB 130	130	105	77	47	50Pcs.(10Pcs./bag×5)
JB 170	170	145	80	50	

ROMEX CABLE SUPPORTERS



FEATURES

- Distributed wire suspension system prevents the danger of temperature rise and deterioration of cable insulation.
- Snap onto the suspension bolt with ease.

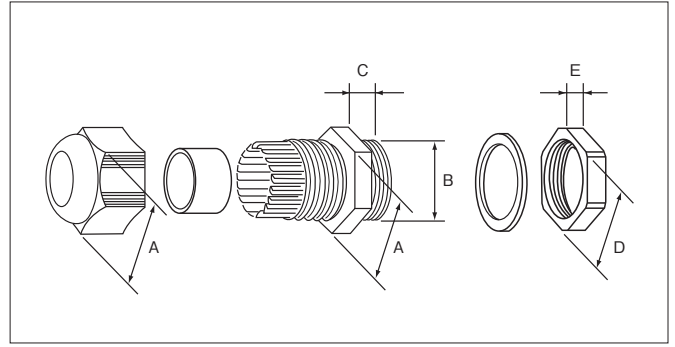
RoHS10
See page 2

SPECIFICATION

- APPLICABLE WIRE Romex cable (2 or 3 cores)
- CABLE QTY Upto 6 cables
- MATERIAL Polypropylene (UL94V-0)
- INSULATOR TEMPERATURE -15°C~ 75°C
- INSTALLATION TEMP 0°C~ 40°C
- SUSPENSION BOLT W 3/8 bolt

PART NO.	DIMENSION mm			PACKING QTY
	L	W	t	
NCS 6P	89.5	91.5	6	50 (5×10)

CABLE GLANDS



PART NUMBER	CLAMPING RANGE	THREAD	DIMENSIONS mm					HOLE ϕ to be attached	STD QTY/PKG
			A	B	C	D	E		
PG 07/PG-CE	2.5~6	PG 07	15	12.5	8	15	5	13	50
PG 09/PG-CE	2.5~8	PG 09	19	15.2	8	19	5	15.8	50
PG 11/PG-CE	3.5~10	PG 11	22	18.6	8	22	5	19	50
PG 13.5/PG-CE	5~12	PG 13.5	24	20.4	9	24	5	21	50
PG 16/PG-CE	7~14	PG 16	27	22.5	10	27	6	23	50
PG 21/PG-CE	9~18	PG 21	33	28.3	11	32	6.5	28.8	20
PG 29/PG-CE	14~24.5	PG 29	42	37.0	11	41	7.5	37.5	20
PG 36/PG-CE	18~31.5	PG 36	52.5	47.0	13	59	8	47.5	10
PG 42/PG-CE	24~38.5	PG 42	60	54.0	13	64	9	54.5	5
PG 48/PG-CE	35~47.5	PG 48	69.5	59.3	14	69	9.5	60	5

SPECIFICATION

- **MATERIAL** BODY : Nylon 6
 LOCK NUT : Nylon 6 + 25% Glass Fiber (PG07~PG29)
 Nylon 6 (PG36~PG48)
 FLAT SEAL : Neoprene
- **RATED TEMPERATURE** $-25^{\circ}\text{C} \sim +100^{\circ}\text{C}$

TORQUE SCREW DRIVERS

TD 15 (YELLOW GREEN)
TD 40 (WINE RED)
TD 50 (YELLOW)



FEATURES

- Once it reaches the desired set torque limit, the clutch mechanism automatically stops power transfer.
- The body of the screw driver is electrically insulated, excluding the bit.
- Lightweight, compact and portable.

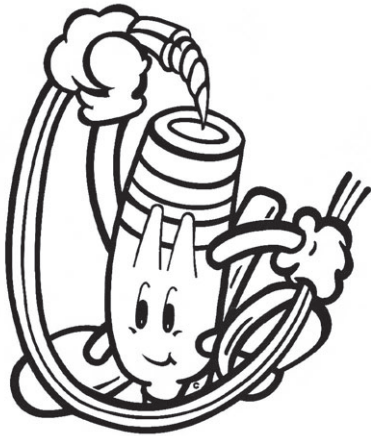
PART NUMBER	TYPE	TORQUE SET VALUE	INSPECTION TORQUE VALUE	ALLOWANCE	DIMENSIONS mm	WEIGHT	ACCESSORY
TD 15	NOT ADJUSTABLE	1.5N · m	1.5N · m	1.43~1.51N · m	165×51×51	305g	0.8⊖BIT
TD 40		4.0N · m	4.0N · m	3.80~4.04N · m			1.2⊖BIT
TD 50	ADJUSTABLE	1.0N · m	1.5N · m	1.40~1.54N · m	209×52×52	410g	0.8⊖BIT No2⊕BIT
		5.0N · m	3.0N · m	2.65~3.23N · m			
			4.0N · m	3.53~4.31N · m			

■ ⊕ ⊖ BIT When ordering a bit, check top shape of screw

TYPE OF SCREW	TYPE OF BIT	PART NO.	TYPE OF SCREW	
			Round head screw Truss head screw Binding head screw	Countersunk screw Raised countersunk head Pan head screw
	 Crosshead bit	No.1 No.2 No.3	M2~M2.6 M3~M5 M6~M8	2.1φ~2.7φ 3.1φ~4.8φ 5.1φ~6.8φ
	 Slottedhead bit	0.5 0.8 1.2	M2~M3 M4~M8 M8	—



ELECTRIC WIRE TWISTERS“H-2100/F-2100”



It was not until NICHIFU introduced the new wire twister(H-series and F-series) that various combinations of stranded wires could be satisfactorily prepared for insertion into one crimp barrel. With its newest technology NICHIFU has succeeded in developing a remarkable wire twister which solves these problems. NICHIFU's wire twister features uninterrupted and uniform twisting with easy, trouble free operation. It will not cause cutting or fraying of wire like conventional twisters. Because of its compact and light-weight design, it can be used in either the hand held position or by hanging it overhead.

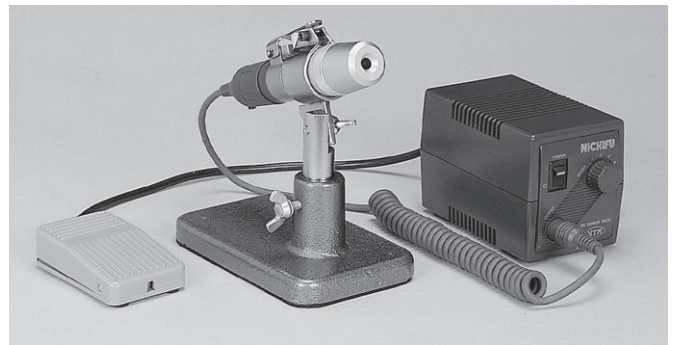
電線
よじる兵衛

■ FEATURES

- Multiple wires can be twisted at the same time. Pre-twisting is not required.
- The H-2100/F-2100 will not cause cutting or fraying of the wire like conventional twisters.
- Small and compact. Safety featured design. Requires 100V AC power supply. Can be used anywhere electricity is available.
- H-2100/F-2100 gives a very clean and stable finish to the wire. Now, wire insertion is very smooth and easy.

SPECIFICATIONS

PART NO.	: H-2100 : F-2100 (with stand and foot switch)
DIMENSIONS	: ϕ 34 × 155(mm)
WEIGHT	: 400g(twister) 900g(power unit)
POWER	: AC 100V (MOTOR 30V)
ROTATION	: CLOCKWISE
SPEED	: 11,000 rpm(Max), 4 speed.
LENGTH OF TWIST	: 5 ~ 15mm



F 2100 (with stand and foot switch)



H 2100

SPECIAL TYPES (UPON REQUEST)

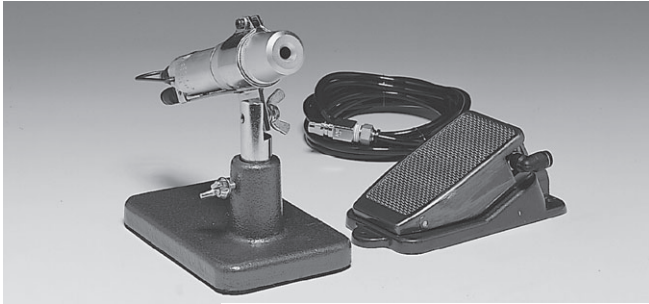
FOR FINE CONDUCTORS

mm ²	0.05 × 4pcs. 0.09 × 4pcs.
AWG	#36 #30 #28 #26 #20

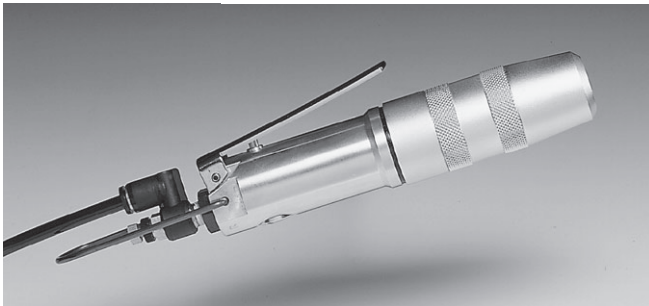
TWISTER WITH TOUCH SENSOR



PNEUMATIC WIRE TWISTERS "H-1000/F-1000"



F-1000 (with stand and foot switch)



H-1000

■ FEATURES

- Multiple wires can be twisted at the same time. Pre-twisting is not required.
- The H-1000/F-1000 will not cause cutting or fraying of the wire like conventional twisters.
- The H-1000/F-1000 gives a very clean and stable finish to the wire. Now, wire insertion is very smooth and easy.
- Small and compact. Safety featured design.

SPECIFICATIONS

PART NO.	: H-1000 F-1000(with stand and foot switch)
DIMENSIONS	: ϕ 30 × 170mm
WEIGHT	: 450g
AIR PRESSURE	: 0.5MPa or more
ROTATION	: CLOCKWISE
LENGTH OF TWIST	: 5 ~ 15mm

WIRE COMBINATIONS CHART

■ PNEUMATIC WIRE TWISTER

COMBINATION OF VSF WIRE

WIRE A \ WIRE B	VSF0.5mm ²					VSF0.75mm ²					VSF1.25mm ²					VSF2.0mm ²				
	1Pc	2Pcs	3Pcs	4Pcs	5Pcs	1Pc	2Pcs	3Pcs	4Pcs	5Pcs	1Pc	2Pcs	3Pcs	4Pcs	5Pcs	1Pc	2Pcs	3Pcs	4Pcs	5Pcs
VSF 0.5mm ² × 1Pc	○	○	○	○	○	○	○	○	○	○	○	○	○	○	○	○	○	○	○	○
VSF 0.75mm ² × 1Pc	○	○	○	○	○	○	○	○	○	○	○	○	○	○	○	○	○	○	○	○
VSF 1.25mm ² × 1Pc	○	○	○	○	○	○	○	○	○	○	○	○	○	○	○	○	○	○	○	○
VSF 2.0mm ² × 1Pc	○	○	○	○	○	○	○	○	○	○	○	○	○	○	○	○	○	○	○	○

■ ELECTRIC WIRE TWISTER

COMBINATION OF VSF WIRE

WIRE A \ WIRE B	VSF0.5mm ²					VSF0.75mm ²					VSF1.25mm ²				
	1Pc	2Pcs	3Pcs	4Pcs	5Pcs	1Pc	2Pcs	3Pcs	4Pcs	5Pcs	1Pc	2Pcs	3Pcs	4Pcs	5Pcs
VSF 0.5mm ² × 1Pc	○	○	○	○	○	○	○	○	○	○	○	○	○	○	○
VSF 0.75mm ² × 1Pc	○	○	○	○	○	○	○	○	○	○	○	○	○	○	○
VSF 1.25mm ² × 1Pc	○	○	○	○	○	○	○	○	○	○	○	○	○	○	○

※ Above combination shows a major combination of wires.
Feel free to contact us with combinations other than above.



CRIMPING TOOLS

● NH 1 (HAND RATCHET TOOL)

NON-INSULATED TERMINALS&SLEEVES
TUBULAR TERMINALS 1.25, 2, 3.5, 5.5, 8mm²



WEIGHT = 395g LENGTH = 235mm

○ NH 5 (HAND RATCHET TOOL)

INSULATED TERMINALS&SLEEVES
0.3, 0.5mm²



WEIGHT = 450g LENGTH = 265mm

● NHE 4 (HAND RATCHET TOOL)

NON-INSULATED OPEN ENDS
E-S, E-M, E-L



WEIGHT = 410g LENGTH = 240mm

○ NH 32 (HAND RATCHET TOOL)

INSULATED TERMINALS & SLEEVES
0.3/0.5, 1.25, 2mm²



WEIGHT = 450g LENGTH = 241mm

● NH 9 (HAND RATCHET TOOL)

NON-INSULATED TERMINALS&SLEEVES
TUBULAR TERMINALS 2, 3.5, 5.5, 8, 14mm²



WEIGHT = 570g LENGTH = 297mm

○ NH 11 (HAND RATCHET TOOL)

INSULATED TERMINALS & SLEEVES
1.25mm²



WEIGHT = 455g LENGTH = 265mm

NH 20 (HAND RATCHET TOOL)

NON-INSULATED FLAG RING TERMINALS
1.25, 2mm²



WEIGHT = 410g LENGTH = 240mm

○ NH 12 (HAND RATCHET TOOL)

INSULATED TERMINALS & SLEEVES
2mm²



WEIGHT = 455g LENGTH = 265mm

UL/CSA

Crimp with our tool for UL/CSA listed products.

Otherwise crimps may not be approved by UL/CSA.

NOTE 1) ● : JIS, UL·CSA ● : JIS ○ : UL·CSA

CRIMPING TOOLS

○NH 13 (HAND RATCHET TOOL)

INSULATED TERMINALS & SLEEVES
3.5, 5.5mm²



WEIGHT = 900g LENGTH = 325mm

NH 65 (HAND RATCHET TOOL)

TGT 1.25mm²



WEIGHT = 230g LENGTH = 190mm (SHORT HANDLE)

○NH 37 (HAND RATCHET TOOL)

CLOSED ENDS & INTERMEDIATE CONNECTORS
1.25, 2, 5.5mm²



WEIGHT = 500g LENGTH = 260mm

NH 64 (HAND RATCHET TOOL)

WP CONNECTOR
1.25mm², 2mm²



WEIGHT = 250g LENGTH = 180mm (SHORT HANDLE)

○NH 36 B (HAND RATCHET TOOL)

CLOSED ENDS & INTERMEDIATE CONNECTORS
2, 5.5, 8mm²



WEIGHT = 520g LENGTH = 267mm

NH 69 (HAND RATCHET TOOL)

NON-INSULATED TERMINAL & SLEEVE
0.3 / 0.5 · 0.75 · 1.25 · 2mm²



WEIGHT = 250g LENGTH = 180mm (SHORT HANDLE)

NH 40 (HAND RATCHET TOOL)

SQ CE-2HP · 5HP



WEIGHT = 430g LENGTH = 240mm

NH 71A (HAND RATCHET TOOL)

110 SERIES EASY LOCK CONNECTOR
0.2 ~ 0.3, 0.5 ~ 0.75, 0.9 ~ 1.25mm²



WEIGHT = 300g LENGTH = 210mm (SHORT HANDLE)

UL/CSA

Crimp with our tool for UL/CSA listed products.

Otherwise crimps may not be approved by UL/CSA.

NOTE 1) ● : JIS, UL-CSA ● : JIS ○ : UL-CSA

CRIMPING TOOLS

● NOM 60 (BATTERY OPERATED HYDRAULIC TOOL)

NON-INSULATED TERMINALS & SLEEVES,
TUBULAR TERMINALS
(5.5, 8) 14, 22, 38, 60mm² () OPTION



WEIGHT 2.5kg
(INCL. BATTERY & DIE)
LENGTH 286mm
OUTPUT 54KN

● NOH 300K (HYDRAULIC HEAD)

NON-INSULATED TERMINALS
60, 80, 100, 150, 180, 200, 325mm²
(OPTION 8, 14, 22, 38, 70)



WEIGHT 7.5kg
LENGTH 210mm
OUTPUT 226KN

● NOM 150 (BATTERY OPERATED HYDRAULIC TOOL)

NON-INSULATED TERMINALS & SLEEVES,
TUBULAR TERMINALS
14, 22, 38, 60, 70, 80, 100, 150mm²



WEIGHT 3.5kg
(INCL. BATTERY & DIE)
LENGTH 340mm
OUTPUT 88KN

NP 520 (HYDRAULIC HEAD)

CLAMP CONNECTORS
T154, 190, 240, 288,
365, 450, 560, 700
COMPRESSION TERMINALS
14 ~ 500mm²
(ALL OPTIONAL DIES)



WEIGHT 17.5kg
LENGTH 380mm
OUTPUT 294KN

NOH 360 (HYDRAULIC HEAD)

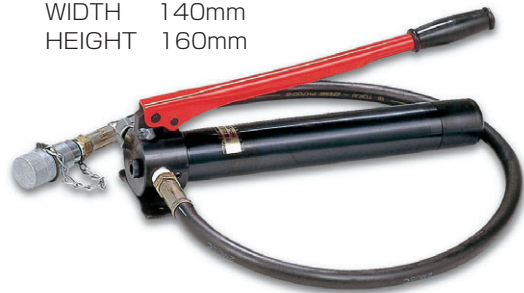
CLAMP CONNECTORS
T154, 190, 240, 288, 365
(OPTION 20, 26, 44, 60, 76, 98, 122)



WEIGHT 4.5kg
LENGTH 286mm
OUTPUT 118KN

NOP 700 (HYDRAULIC PUMP)

WEIGHT 9.6kg
LENGTH 580mm
WIDTH 140mm
HEIGHT 160mm



● NOM 2500A (MOTOR DRIVEN HYDRAULIC PUMP)

WEIGHT 14kg
WIDTH 306mm
LENGTH 205mm
HEIGHT 393mm
AC 100V



● NOM 3000 (MOTOR DRIVEN HYDRAULIC PUMP)

WEIGHT 30kg
WIDTH 330mm
LENGTH 350mm
HEIGHT 420mm
AC 100V



UL/CSA

Crimp with our tool for UL/CSA listed products.

Otherwise crimps may not be approved by UL/CSA.

NOTE 1) ● : JIS, UL·CSA ● : JIS ○ : UL·CSA

CRIMPING TOOLS

PNEUMATIC TOOL

ONA 10

AIR PRESSURE 0.5MPa ~

WEIGHT 4.7kg (BODY)

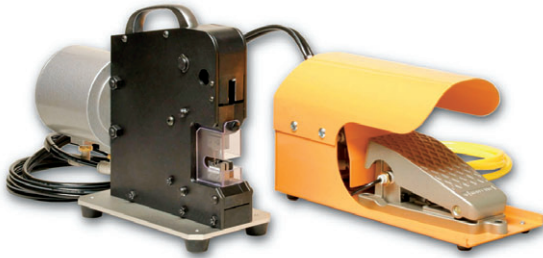
3.2kg (FOOT PEDAL)

(BODY DIMENSION)

W 110mm

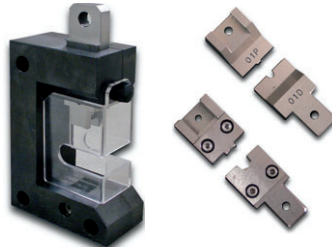
D 290mm

H 210mm



APPLICATOR

DIES



	PART No.	APPLICABLE TERMINAL
APPLICATOR	○N10AP-C	For Non-insulated & closed end
	○N10AP-C2	For Non-ins. 0.3 · 0.75mm ²
	○N10AP-T	For Insulated terminal
DIES	N10 04	Non-ins. 0.3mm ²
	N10 05	Non-ins. 0.75mm ²
	○N10 01	Non-ins. 1.25mm ²
	○N10 02	Non-ins. 2mm ²
	○N10 03	Non-ins. 5.5mm ²
	○N10 10	Ins. miniature (Except TMDN)
	○N10 11	Ins. Red 1.25mm ² (Except TMDV)
	○N10 12	Ins. Blue 2mm ² (Except TMDV)
	○N10 13	Ins. Yellow 5.5mm ² (Except TMDV)
	N10 21	Ins. Red TMDV 1.25mm ²
	N10 22	Ins. Blue TMDV 2mm ²
	N10 23	Ins. Yellow TMDV 5.5mm ²
	N10 31	Closed end CE 1
	N10 32	Closed end CE 2
	N10 33	Closed end CE 5

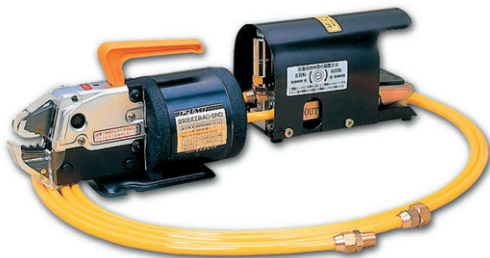
PNEUMATIC TOOL

ONA 3

AIR PRESSURE 0.5 ~ 0.6MPa

WEIGHT 2.0kg (BODY)

1.5kg (FOOT PEDAL)



DIES



(BODY DIMENSION)

W 92mm

D 215mm

H 133mm

● TABLE OF DIES

PART NUMBER	APPLICABLE TERMINAL
○N3 5	Ins. Miniature 0.3/0.5mm ²
○N3 7	Non-ins. 1.25 · 2 · 3.5/5.5mm ²
○N3 11	Ins. Red 1.25mm ² (Except TMDV)
○N3 12	Ins. Blue 2mm ² (Except TMDV)
○N3 13	Ins. Yellow 5.5mm ² (Except TMDV)
○N3 14	Closed end CE2/5 · EC2-2/2-3/3-1
N3 15	Heat shrink (SB) 0.5mm ²
N3 16	Heat shrink (SB) 1.25 · 2mm ²
○N3 34	Closed end CE1/2 · EC1-1/2-2/2-3
○N3 36	Closed end CE8
○N3 69	Non-ins. 0.75mm ²
○N3 70	Non-ins. 0.3/0.5mm ²

PNEUMATIC TOOL

NA 20

AIR PRESSURE 0.6MPa or more

WEIGHT 39kg (BODY)

3.2kg (FOOT PEDAL)

(BODY DIMENSION)

W 160mm

D 323mm

H 439mm



(8), 14, 22, 38, 60mm²

() Optional Dies

PART NUMBER	APPLICABLE TERMINAL
○N20 08	Non-ins. 8mm ²
○N20 14	Non-ins. 14mm ²
○N20 22	Non-ins. 22mm ²
○N20 38	Non-ins. 38mm ²
○N20 60	Non-ins. 60mm ²

HYDRAULIC HEAD

NP 1000

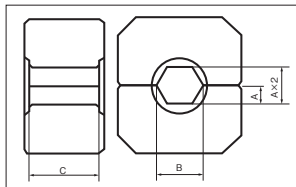
COMPRESSION TERMINALS

OUTPUT 490KN

RANGE 14 ~ 1000mm²

WEIGHT 30kg

LENGTH 396mm



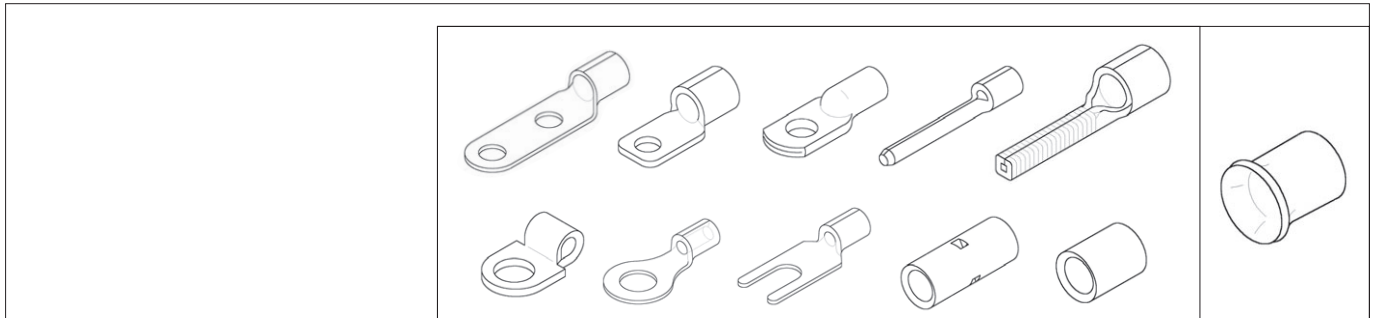
APPLICABLE TERMINAL	VERTEX DISTANCE	DIES FOR NP-520			DIES FOR NP-1000			Unit:mm
		A	B	C	A	B	C	
14~38	14	6.06	14	42	6.06	14	60	
45-70	19	8.23	19	37	8.23	19		
75-100	23	9.96	23	31	9.96	23	53	
110-125	26	11.26	26	27	11.26	26	47	
150	29	12.56	29	24	12.56	29	42	
180-200	32	13.86	32	22	13.86	32	38	
240	36	15.59	36	20	15.59	36	34	
250	38	16.45	38	19	16.45	38	32	
325	42	18.19	42	17	18.19	42	29	
400-500	47	20.35	47	15	20.35	47	26	
600	51				22.08	51	24	
725-850	56				24.25	56	22	
1000	64				27.71	64	19	

UL/CSA

Crimp with our tool for UL/CSA listed products. Otherwise crimps may not be approved by UL/CSA.

NOTE 1) ● : JIS, UL-CSA ● : JIS ○ : UL-CSA

TOOL SELECTION



TOOL PART No.		TYPE OF TERMINAL	NON-INS TERMINALS (RING · SPADE · PIN · FLAG) · SLEEVES · TUBULARS																	OPEN ENDS					
			AWG	24-20	22-18	22-16	16-14	12-10	8	6	4	2	1/0	2/0	3/0	4/0	250-300 MCM	300-350 MCM	400 MCM	-	500-600 MCM	12-10	12-10	8	6
		mm ²	0.3	0.75	1.25	2.0	3.5 5.5	8	14	22	38	60	70	80	100	150	180	200	250	325	S.S	S	M	L	
HAND TOOL	● NH 1																								
	● NHE 4																								
	● NH 9																								
	● NH 20 (FLAG RING)																								
	● NH 69																								
HYDRAULIC TOOL	● NOP 60							※																	
	● NOP 150HA																								
	● NOH 300K							※	※	※	※		※												
BATTERY OPERATED HYDRAULIC TOOL	● NOM 60						※	※																	
	● NOM 150																								
PNEUMATIC TOOL	BODY NA 3	○ N3 69																							
		○ N3 70																							
		○ N3 7																							
	BODY NA 10	○ N10 01																							
		○ N10 02																							
		○ N10 03																							
		○ N10 04																							
		○ N10 05																							
	BODY NA 20	○ N20 08																							
		○ N20 14																							
		○ N20 22																							
		○ N20 38																							
		○ N20 60																							

TOOL PART No.	TERMINAL	CLAMP CONNECTORS																						
		14~20	21~26	27~44	45~60	61~78	79~98	99~122	123~154	155~190	191~240	241~288	289~365	366~450	451~560	561~700								
HYDRAULIC TOOL	● NOP 120																							
HEAD	● NOH 360	※	※	※	※	※	※	※																
	● NP 520								※	※	※	※	※	※	※	※	※	※	※	※	※	※	※	※
HAND TOOL	● NH 25A	ONLY T7 · T11 · T16																						

TOOL PART No.	TERMINAL	COMPRESSION TERMINALS												
		14	22~38	45~70	75~100	110~125	150	180~200	240	250	325	400~500	600	725~850
HEAD	● NP 520	※	※	※	※	※	※	※	※	※	※	※	※	※
	● NP 1000	※	※	※	※	※	※	※	※	※	※	※	※	※

HYDRAULIC PUMP		HYDRAULIC HEAD (Any combinations with pump & head are acceptable.)	
PUMP	● NOP 700 ● NOM 2500A		● NOH 300K ● NOH 360
HEAD	● NOM 3000		● NP 520 ● NP 1000

UL/CSA Crimp with our tool for UL/CSA listed products.

Otherwise crimps may not be approved by UL/CSA.

NOTE 1) ● : JIS, UL-CSA ● : JIS ○ : UL-CSA

※ : Optional dies.

TOOL SELECTION

TOOL PART No.		TYPE OF TERMINAL	INSULATED TERMINALS				INSULATED DISCONNECTS				CLOSED END				HEAT SHRINKABLE TERMINALS				110 EASY LOCK CONNECTORS		NOTE
		AWG	24-20	22-16	16-14	12-10	22-18	22-16	16-14	12-10	22-16	16-14	12-10	8	22-18	18-16	16-14	12-10	24-22	20-16	
		mm ²	0.3 0.5	1.25	2.0	3.5 5.5	0.5	1.25	2.0	5.5	1.25	2.0	3.5 5.5	8.0	0.3~ 0.5	0.75~ 1.25	2.0	5.5	0.2~ 0.3	0.5~ 1.25	
HAND TOOL	○ NH 5																				
	○ NH 11																				
	○ NH 12																				
	○ NH 13																				
	○ NH 32																				
	○ NH 37																				
	△ NH 36B																				
	○ NH 71																				
	NH 82A																				
PNEUMATIC TOOL	○ BODY NA 10	○ N10 10																			
		○ N10 11																			
		○ N10 12																			
		○ N10 13																			
		○ N10 21			D																
		○ N10 22				D															
		○ N10 23					D														
		○ N10 31																			
		○ N10 32																			
	○ N10 33																				
	○ BODY NA 3	○ N3 5																			
		○ N3 11																			
		○ N3 12																			
		○ N3 13																			
		○ N3 14																			
		○ N3 15																			
		○ N3 16															☆	☆			
		○ N3 34																			
		○ N3 36																			

Crimp with our tool for UL/CSA listed products.

Otherwise crimps may not be approved by UL/CSA.

NOTE 1) ● : JIS, UL-CSA ● : JIS ○ : UL-CSA △ : UL

※ : Optional dies. ☆ : Sleeve only

D : TMDV only

REFERENCE

- AMPERAGE RATING
- CONVERSION TABLE FOR AWG WIRE

AMPERAGE RATING

Amperage rating is determined by the wire size.

WIRE SIZE		RATING (A)	WIRE SIZE		RATING (A)	WIRE SIZE		RATING (A)
STRANDEDmm ²	SOLIDmm	INS.WIRE (PVC/RUBBER)	STRANDEDmm ²	SOLIDmm	INS.WIRE (PVC/RUBBER)	STRANDEDmm ²	SOLIDmm	INS.WIRE (PVC/RUBBER)
	5.0	107	500		842	38		162
	4.0	81	400		745	30		139
	3.2	62	325		650	22		115
	2.6	48	250		550	14		88
	2.0	35	200		460	8		61
	1.6	27	150		395	5.5		49
	1.2	19	125		344	3.5		37
	1.0	16	100		298	2		27
1,000		1,260	80		257	1.25		19
800		1,080	60		217	0.9		17
600		930	50		190			

Amperage rating for Ring terminal with narrower width.

※ R22-5S, R22-6S, R22-8S, R22-10S (94A)

※ R38-6S, R38-8S, R38-10S (132A)

※ R60-6S, R60-8S, R60-10S (175A)

There are some exceptions in amperage rating terminals, see our products specification for details.

NOTE: CONDUCTOR MAX TEMP. 60°C
SURROUNDING TEMP. 30°C

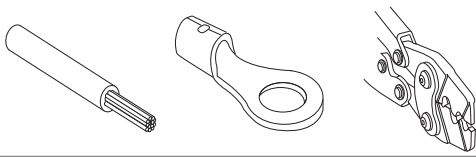
CONVERSION TABLE FOR AWG WIRE

A.W.G.	CROSS SECTION		A.W.G.	CROSS SECTION		A.W.G.	CROSS SECTION	
	mm ²	CM		mm ²	CM		mm ²	CM
36	0.01	25.00	14	2.08	4,096	00 (2/0)	67.51	133,225
34	0.02	39.69	12	3.33	6,561	000 (3/0)	85.16	168,100
32	0.03	63.21	10	5.27	10,404	0000 (4/0)	107.22	211,600
30	0.05	100	8	8.30	16,384		126.68	250,000
28	0.08	158.8	6	13.30	26,244		152.01	300,000
26	0.13	253	5	16.78	33,124		177.38	350,000
24	0.20	404	4	21.09	41,616		202.68	400,000
22	0.32	640	3	26.57	52,441		253.35	500,000
20	0.52	1,024	2	33.94	66,564		304.02	600,000
18	0.81	1,600	1	42.22	83,521			
16	1.32	2,601	0 (1/0)	53.52	105,625			

NOTE: CM Circular mil
MCM=CM×1000

BASIC GUIDE TO TERMINAL CRIMPING

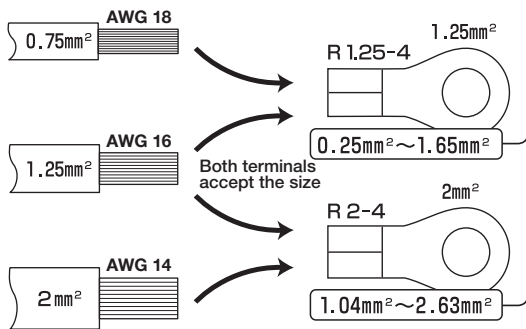
1 Selection Process



① The correct terminal size is dictated by the size of the wire

Acceptable Wire Size

Each terminal has an acceptable wire size range



! To prevent wire slip off or snapping, select correct terminal being used.

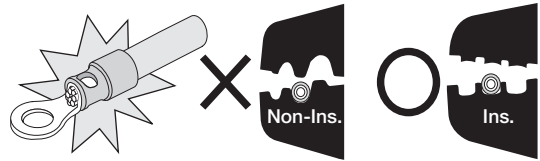
② How to select the correct tool

Select right tool, based on the size and type of the terminal.

Type of terminal	Correct tool
Non-Insulated Terminal 	Crimp tool for non-insulated terminal Single Jaw Crimp the center of the barrel.
Insulated Terminal 	Crimp tool for insulated terminal Double Jaw
Insulated Closed End 	Crimp tool for insulated closed end Single Jaw

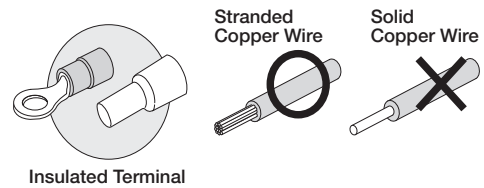
! SELECT RIGHT TOOL TO THE TYPE OR SIZE OF TERMINAL.

The insulator may split and be exposed when the tool is misused, and may cause an electrical short circuit.



! DO NOT CRIMP A SOLID WIRE INSERTED TO AN INSULATED TERMINAL.

Stranded copper wire only. Solid copper wires can be crimped only by using non-insulated terminals.

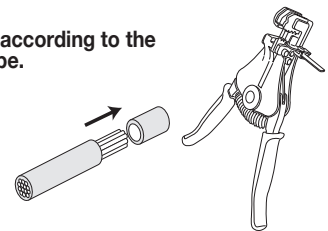


2 CRIMPING INSTRUCTIONS

① Strip the Wire

Strip the wire to be crimped according to the instructions for each wire type.

The length of the insulation to be removed is dependant on the terminal type and shape.



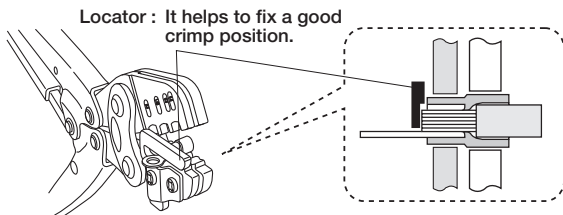
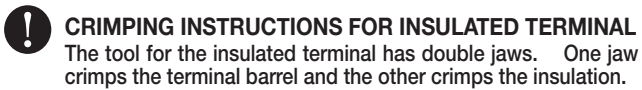
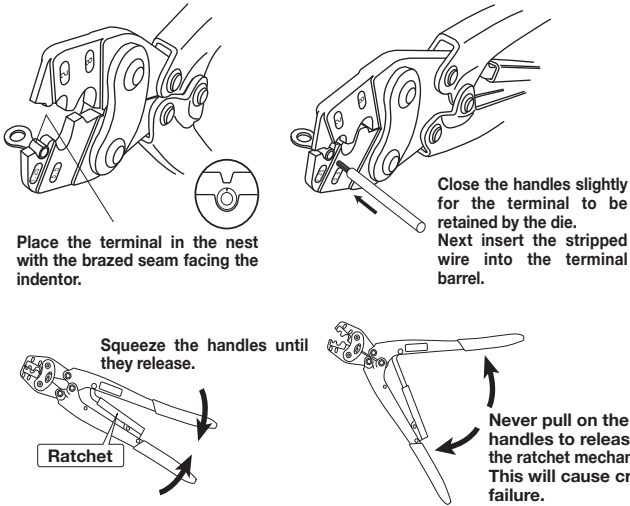
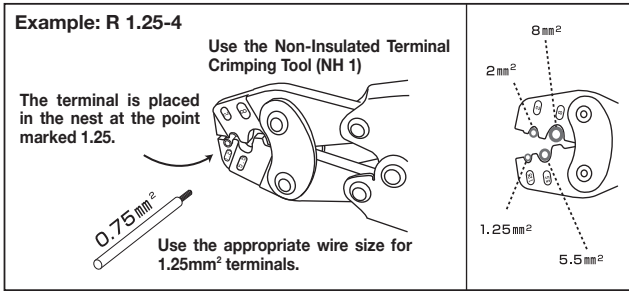
APPROXIMATE STRIP LENGTH

Non-Insulated Terminal Approx. : 1mm 	OPEN-END SLEEVE Strip longer than the sleeve length by 1.5~3.5mm. $(a) + (1.5 \sim 3.5mm)$ Combine the tip of the conductors, making sure ends are even. Cover the crimped end sleeve with insulation tape or cap. INSULATION CAP "VAC"
Non-Insulated Parallel Connector Approx. : 1mm 	
Non-Insulated Butt Connector Approx. : 1mm Approx. : 1mm 	
Insulated Terminal Approx. : 1mm 	
Insulated Closed End 	The length between the sleeve and the end of the insulator varies by the size. Strip each wire to reach the end of the insulator.

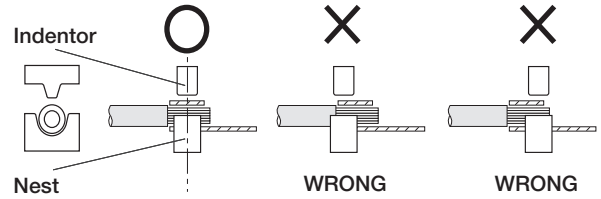
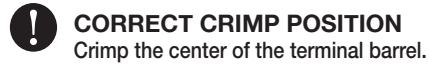
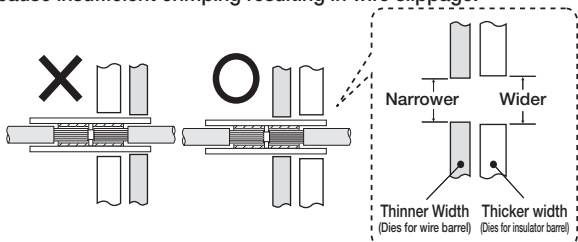
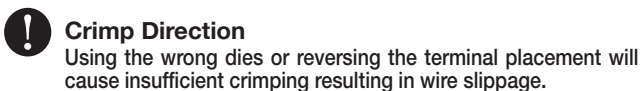
BASIC GUIDE TO TERMINAL CRIMPING

② Crimping

Select the die of the crimping tool by the terminal size.



Remove the locator when crimping terminals other than Ring and Spade.



NON-INSULATED TERMINAL • ESLEEVE	INSULATED TERMINAL • ESLEEVE
<p>CROSS SECTIONAL AREA</p> <p>CRIMPED TERMINAL CONDUCTORS</p>	<p>CROSS SECTIONAL AREA</p> <p>CRIMPED TERMINAL INSULATOR CONDUCTORS</p>
<p>NON-INSULATED PARALLEL CONNECTOR</p>	<p>INSULATED TERMINAL</p>
<p>NON-INSULATED BUTT CONNECTOR</p>	<p>INSULATED BUTT CONNECTOR</p>

③ INSPECTION

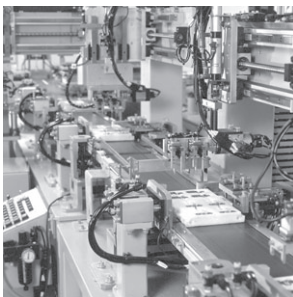
NON-INSULATED TERMINAL	INSULATED TERMINAL	JUDGEMENT
		○ Good crimp
		✗ WRONG
		✗ WRONG
		✗ WRONG
		✗ WRONG

About NICHIFU



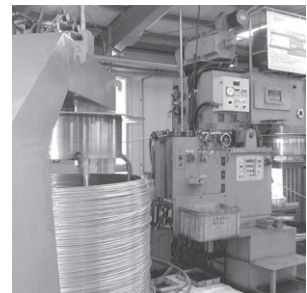
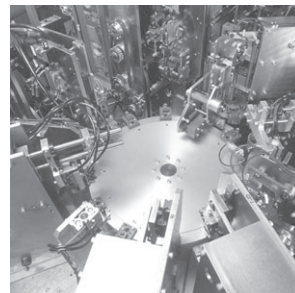
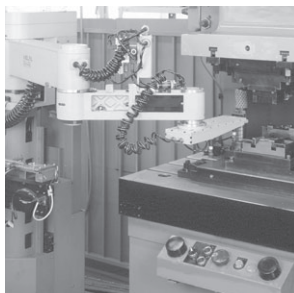
Since our establishment in 1951, Nichifu has been manufacturing innovative electrical products that effect every aspect of your life. Products that you may not think about everyday, but that are designed to maximize the convenience, comfort and safety of daily living.

Today, we continue to manufacture state of the art products, specializing in solderless terminals and connectors.



It all started in Japan with the introduction of our very first copper tube terminal. From that point, we began the practice of producing high quality and reliable parts. This unusual attention to quality has enabled Nichifu to meet and surpass the extreme standards of inspection agencies around the world and has resulted in world class recognition.

January	1951	Nichifu Co., Ltd incorporated in Osaka.
August	1955	Nichifu started production of solderless terminals first in Japan.
January	1967	Head office/main factory expanded at Tsurumi, Osaka.
February	1970	Factory specialized in copper sleeves found in Tsuruga, Fukui-pref.
March	1979	Nichifu incorporated sales and distribution center in U.S. at Elk Grove, Illinois.
April	1991	Supplementary parts production facility opened in Ibaragi-pref.
October	1998	Fully computerized automated distribution center opened in Osaka.
September	2002	Nichifu incorporated sales and distribution center in Singapore.
October	2002	Molding factory opened independently at Itami, Hyogo-pref.
October	2005	Distribution center opened in Hong Kong.
March	2008	New fully computerized automated distribution center opened in Osaka.
January	2013	Nichifu incorporated sales and distribution center in The Netherlands.





NICHIFU CO.,LTD. Overseas Sales Dept.

1-3-58, Tsurumi, Tsurumi-Ku, Osaka, Japan 538-0053

T E L : +81-6-6911-1455

F A X : +81-6-6911-1477

E-MAIL overseas@nichifu.co.jp

NICHIFU AMERICA, INC.

2677 American Lane, Elk Grove Village, IL 60007

T E L : +1-630-351-1958

F A X : +1-630-351-1961

E-MAIL america@nichifu.com

NICHIFU SINGAPORE PTE.LTD.

45 UBI ROAD 1 #05-03 SINGAPORE 408696

T E L : +65-6741-3008

F A X : +65-6741-3605

E-MAIL inquiry@nichifu.com.sg

NICHIFU EUROPE B.V.

Peppelkade 34, 3992AK, Houten, the Netherlands

T E L : +31-30 268 1886

F A X : +31-30 268 1887

E-MAIL europe@nichifu.co.jp

Manufactured by NICHIFU TERMINAL INDUSTRIES CO.,LTD

OSAKA, TSURUGA

Sales office TOKYO, OSAKA, NAGOYA, FUKUOKA

Web page <http://www.nichifu.co.jp>

NICHIFU/MORIS reserves the right to change specifications without prior notice.